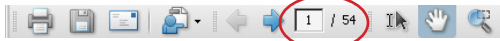


## Service Parts Book

### To locate part number:

1. Find the appliance(model) name and serial number, located on the rating plate which is located on the bottom right-hand side near the gas controls area or valve plate.

2. See Table of Contents (next page) to locate your appliance page number. Insert page number (see tool bar) and enter.



3. You will see a service parts diagram. The parts list is on the following page or below the diagram.

4. Column marked "Stocked at Depot":  
Y = stocked  
Blank = shipped from the factory with a standard lead time.

5. "No longer available" = HHT is no longer able to provide this part.

**CAUTION: HOT WHILE IN OPERATION DO NOT TOUCH, KEEP CHILDREN, CLOTHING AND FURNITURE AWAY. CONTACT MAY CAUSE SKIN BURNS. SEE NAMEPLATE AND INSTRUCTIONS.**  
Operate this unit with fuel hopper lid closed. Failure to do so may result in emissions products combustion from the hopper under certain conditions. Maintain hopper seal in good condition. Do not over fill the hopper.

**ATTENTION: CHAUD LORS DE L'OPERATION, NE PAS TOUCHER, GARDEZ LES ENFANTS ET LES VÊTEMENTS LOIN DE L'ESPACE DESIGNÉ DE L'INSTALLATION. LE CONTACT PEUT CAUSER DES BRÛLURES À LA PEAU. VOIR L'ÉTIQUETTE ET LES INSTRUCTIONS.** Opérez cet appareil avec le couvercle de la trémie fermé. Le défaut de ne pas suivre les instructions peut résulter, sous certaines conditions, en une combustion des émissions des produits venant de la trémie. Ne pas remplir la trémie trop pleine.

**Report / Rapport**  
061-S-53-2

**QUADRA-FIRE**

**MODEL NAME**

**SERIAL NUMBER**  
007

Listed Solid Fuel Room Heater/Pellet Type. Also suitable for Mobile Home Installation. This appliance has been tested and listed for use in Manufactured Homes in accordance with CAN 114-23-9000 through 914-23-9000.

Appareil de chauffage de combustible solide/de type de bouillottes. Accepté dans l'installation dans les maisons mobiles. Cet appareil a été testé et enregistré pour l'usage dans les Maisons Mobiles en accord avec CAN 114-23-9000 jusqu'à 914-23-9000.

Tested to: ASTM E1509-95, ULCC S827-00, ULCCORD-C1482-M1990 Room Heating Pellet Burning Type, (UM) 84-HUD FOR USE ONLY WITH PELLETIZED WOOD OR SHIELDED YIELD CORN FUEL.

Testé à: ASTM E1509-95, ULCC S827-00, ULCCORD-C1482-M1990 Room Heating Pellet Burning Type, (UM) 84-HUD POUR USAGE AVEC LES BOULETTES DE BOIS OU DE COMBUSTIBLE DE MAÏS ÉCROUSSE DES CHAMPS.

Electrical Rating: 115 VAC, 60 Hz, Start 4.1 Amps, Run 1.1 AMPs.  
Route power cord away from unit. Do not route cord under or in front of appliance.  
DANGER: Risk of electrical shock. Disconnect power supply before servicing. Replace glass only with 5mm ceramic available from your dealer. To start, set thermostat above room temperature, the stove will light automatically. To shutdown, set thermostat to below room temperature. For further instruction refer to owner's manual.  
Keep viewing and ash removal doors tightly closed during operation.

Puissance de Rendement: 30,000 Btu/h  
Écousse Électrique: 115 VAC, 60 Hz, Début 4.1 Amps, Courant 1.1 Amps.  
Écoussez le fil électrique de l'appareil. Ne pas faire passer le fil électrique au dessus ou en dessous de l'appareil.  
DANGER: Il y a un risque de décharge électrique. Déconnectez le fil électrique de la prise de contact avant le service.  
Remplacez la vitre seulement avec une vitre céramique de 5 mm disponible chez votre fournisseur.  
Pour allumer, monter la température du thermostat au dessus de la température de la pièce, le poêle s'allumera automatiquement. Pour éteindre, descendre la température du thermostat en dessous de la température de la pièce. Pour des instructions supplémentaires, référez vous au manuel du propriétaire. Gardez la porte d'ouverture et la porte des cendres fermées hermétiquement durant l'opération.

**PREVENT HOUSE FIRES**  
Install and use only in accordance with manufacturer's installation and operating instructions. Contact local building or fire officials about restrictions and inspection in our area.  
**WARNING - FOR MOBILE HOMES:** Do not install appliance in a sleeping room. An outside combustion air inlet must be provided. The structural integrity of the mobile home floor, ceiling and walls must be maintained. Refer to manufacturer's instructions and local codes for precautions required for passing chimney through a combustible wall or ceiling. Inspect and clean vent system frequently in accordance with manufacturer's instructions.  
**DO NOT CONNECT THIS UNIT TO ANY EXISTING OTHER APPLIANCE.**  
Use a 3" or 4" diameter type "L" or "PL" venting system.

**PRÉVENTION DES FEUX DE MAISON**  
Installez et utilisez en accord avec les instructions d'installation et d'opération du fabricant. Contactez le bureau de la construction ou le bureau des incendies au sujet des restrictions et des inspections d'installation dans votre voyageage. Ne pas observer l'espace en dessous de l'appareil.  
**AVIS - Pour Les Maisons Mobiles:** Ne pas installer dans une chambre à coucher. Un tuyau extérieur de combustion doit être installé et doit pas être obstrué lorsque l'appareil est en usage. La structure intégrale du plancher, du plafond et des murs de la maison mobile doit être maintenue intacte. Référez vous aux instructions du fabricant et des codes locaux pour les précautions requises pour passer une cheminée à travers un mur ou un plafond combustibles, et les compositions maximums. Inspectez et nettoyez la cheminée fréquemment. Ne pas connecter cet appareil à une cheminée servant un autre appareil.  
Utilisez système de ventilation "L" ou "PL" diamètre 76mm ou 102mm

**MINIMUM CLEARANCES TO COMBUSTIBLE MATERIALS / ESPACES LIBRES MINIMUM DES MATÉRIAUX COMBUSTIBLES:**

A	Back Wall / Mur Arrière	2" / 51mm
B	Side Wall / Mur De Côté	6" / 152mm
C	Side Wall / Mur De Côté	2" / 51mm

**CORNER INSTALLATION / INSTALLATION DU COIN :**

D	Pipe to Back Wall / Un Tuyau Mur Arrière	3" / 76mm
E	Side Wall / Mur De Côté	6" / 152mm
F	Side Wall / Mur De Côté	7" / 178mm

**VERTICAL 3" - 3" ADAPTER KIT (PART 811-0860) INSTALLATION:**  
**UN ASSEMBLAGE POUR ADAPTEUR 3" - 3" (PIECE 811-0860) POUR INSTALLATION VERTICALE:**

G	Side Wall / Mur De Côté	2" / 51mm
H	Pipe to Side Wall / Un Tuyau Mur De Côté	3" / 76mm

**ALCOVE INSTALLATION / INSTALLATION DE L'ALCOVE:**

Min. Alcove Height / Une hauteur minimum de l'alcove	43" / 1092mm
Min. Alcove Side Wall / Une hauteur minimum mur de côté de l'alcove	6" / 152mm
Min. Alcove Width / Une épaisseur minimum mur de côté de l'alcove	38" / 965mm
Max. Alcove Depth / La profondeur maximum de l'alcove	38" / 965mm

**FLOOR PROTECTION / PROTECTION DU SOL**

If Cast Base is installed (Part 811-0840) use a noncombustible floor protector, extending beneath heater and to the front/rear as indicated. Measure front distance (I) from the surface of the glass door. If Cast Base is not installed, the non-combustible floor protector must be 1/4" (6.4mm) minimum thickness ("K" value = 0.84).  
Non-combustible floor protection must extend beneath the fire pipe when installed with horizontal venting or under the Top Vent Adapter with vertical installation. **RECOMMENDED IN USA; REQUIRED IN CANADA**

Installez et utiliser étayage du fonte (Pièce 811-0840), le poêle doit être placé sur une assise non combustible s'étendant tout autour de lui, comme les schémas l'indiquent. Mesurez la distance du devant (I) de la surface de la porte vitrée. Ne pas installer étayage du fonte le protecteur de plancher doit être d'un minimum de 1/4" (6.4mm) d'épaisseur ("K" value = 0.84) de matériel noncombustible ou équivalent.  
Un protecteur incombustible de plancher doit s'étendre sous le conduit de cheminée pour une installation de ventilation horizontale ou sous un adaptateur de ventilation de dessus pour une installation verticale. **ÉTAPE-UNIS-RECOMMANDÉ; CANADA - REQUIRMENT.**

Manufactured by Fabrique par: U.S. ENVIRONMENTAL PROTECTION AGENCY  
This model is exempt from EPA certification under 40 CFR 60.531 by definition (Wood Heater (A) "Air-to-Fuel Ratio").

HEARTH & HOME  
1445 Highway North  
Cohasset, MA 01914  
www.quadrafire.com

2009 2010 2011 JAN FEB MAR APR MAY JUNE JULY AUG SEPT OCT NOV DEC  
DO NOT REMOVE THIS LABEL / NE PAS ENLEVER L'ÉTIQUETTE Made in U.S.A./Fait Aux États-Unis 7001-143E

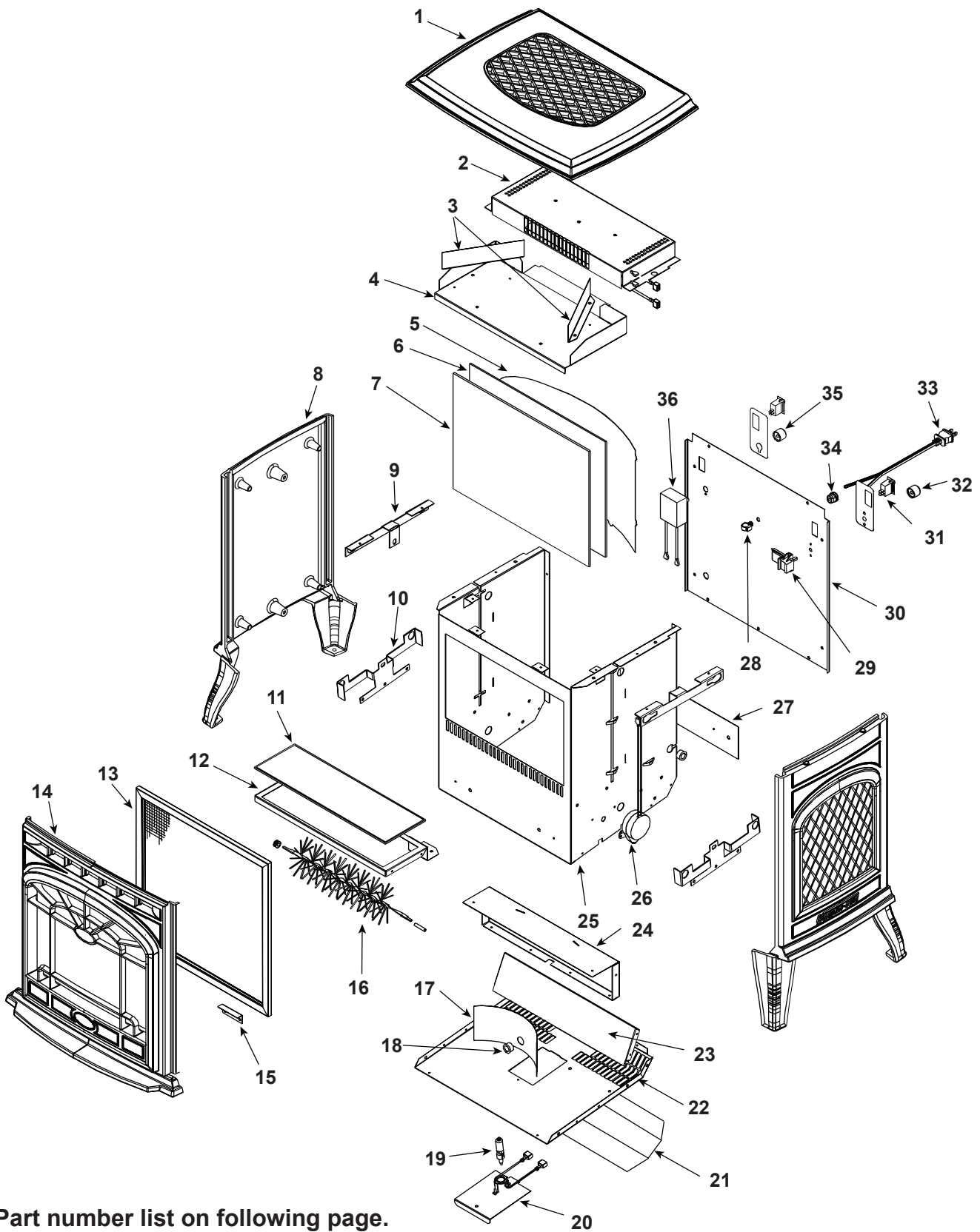
### PLEASE NOTE:

These Service Parts Lists included in this section are subject to updates as improvements are made to our appliances or when new appliances are created.

Any changes that have been made are highlighted in yellow.

# Electric Fireplaces

GARNETE .....	3	SFE-35 & SFE-35C .....	32
GARNETE-B .....	5	SFE-CDLB3530PP .....	34
GARNETE-C .....	7	SFE-ST .....	35
QV26E.....	9	SF-FORMAT36.....	36
QV26E-B.....	11	SF-INC36.....	37
QV32E.....	13	SF-INS25 .....	38
QV32E-B.....	15	SF-INS30 .....	39
QV32ENH .....	16	SF-INS30-BK.....	40
QV32EV .....	18	SF-INS35 .....	41
QV32EV-B .....	19	SF-OD43 .....	42
SF-ALL40-BK.....	20	SF-OD55 .....	43
SF-ALL48-BK.....	21	SF-PP26-E, SF-PP23E .....	44
SF-ALL60-BK.....	22	SF-SC43-BK.....	45
SF-ALL84-BK.....	23	SF-SC55-BK.....	46
SF-ALLP50-BK .....	24	SF-SC78-BK.....	47
SF-ALLP60-BK .....	25	SF-SCT43-BK.....	48
SF-ALLP72-BK .....	26	SF-SCT55-BK.....	49
SF-BI30-E .....	27	SF-WM36-WH, SF-WM36-BK .....	50
SF-BI30-EB .....	28	SF-WM58-WH, SF-WM58-BK .....	51
SF-BI36-E .....	29	SF-WM70-BK .....	52
SF-BI36-EB .....	30	SF-WM94-BK .....	53
SFE-26 & SFE-26C .....	31	SF-WMS38-BK.....	54



Part number list on following page.

IMPORTANT: THIS IS DATED INFORMATION. Parts must be ordered from a dealer or distributor. **Hearth and Home Technologies does not sell directly to consumers.** Provide model number and serial number when requesting service parts from your dealer or distributor.

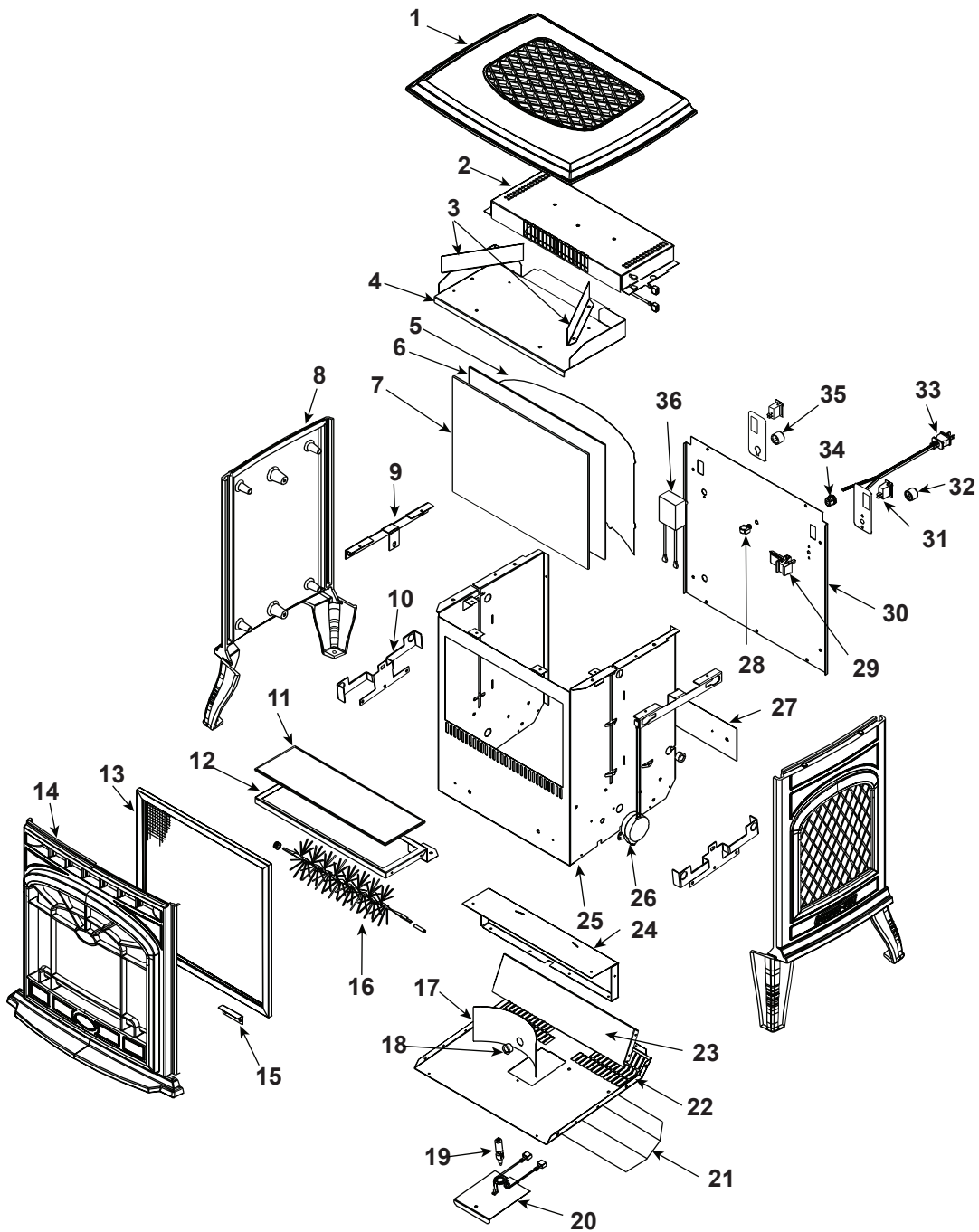


**Stocked  
at Depot**

ITEM	DESCRIPTION	COMMENTS	PART NUMBER	
	Log Assembly	No Longer Available	4035-156	
1	Top Casting	Specify color	464-0140MBK	
2	Heater Assembly	No Longer Available	4035-155	
3	Air Channel	No Longer Available	4035-321	
4	Air Deflector	No Longer Available	4035-305	
5	Flame Panel	No Longer Available	4035-308	
6	Lens	No Longer Available	4035-804	
7	Back Glass	No Longer Available	4035-801	
8	Side Casting - Qty. 2 req.	No Longer Available	464-0150	
9	Upper Casting Support	No Longer Available	4035-306	
10	Lower Casting Support	No Longer Available	4035-307	
11	Ember Bed	No Longer Available	4035-818	
12	Hearth Pan	No Longer Available	4035-205	
13	Front Screen Assembly	No Longer Available	4035-151	
14	Front Casting	No Longer Available	464-0160	
15	Retainer	No Longer Available	4035-311	
16	Flame Element Assembly	No Longer Available	4035-153	
17	Parabolic Reflector	No Longer Available	4035-309	
18	Split Bushing	No Longer Available	4021-177	
19	Halogen Bulb	No Longer Available	33961	
20	Socket Assembly	No Longer Available	4035-152	
21	Outer Bottom Light Shield	No Longer Available	4035-322	
22	Box Bottom	No Longer Available	4035-302	
23	Bottom Light Shield	No Longer Available	4035-320	
24	Light Shield	No Longer Available	4035-318	
25	Box Front	No Longer Available	4035-300	
26	Motor	No Longer Available	4035-860	
27	Front Reflector	No Longer Available	4035-316	
28	Snap-in Cord Clip	No Longer Available	25611	
29	Bi-metal Thermostat	No Longer Available	4035-808	
30	Box Back	No Longer Available	4035-301	
31	On/Off, Switch	Qty. 2 req.	SRV32D0232	Y
32	Knob (Thermostat)	No Longer Available	4035-826	
33	Two Prong Power Cord	No Longer Available	4030-802	
34	Strain Relief Bushing	No Longer Available	4030-873	
35	Knob		SRV7000-246	Y
36	Variable Control	No Longer Available	4035-809	
	White Rock	No Longer Available	4021-173	

\*\* Contact your local distributor/dealer to order Casting parts.

GarnetE-MBK-B (Black), GarnetE-PMH-B (Mahogany),  
GarnetE-CLG-B (Linden Green) GarnetE-CME-B (Meriot)



Part number list on following page.

Beginning Manufacturing Date: Oct. 2004  
Ending Manufacturing Date: Oct. 2005

IMPORTANT: THIS IS DATED INFORMATION. Parts must be ordered from a dealer or distributor. **Hearth and Home Technologies does not sell directly to consumers.** Provide model number and serial number when requesting service parts from your dealer or distributor.

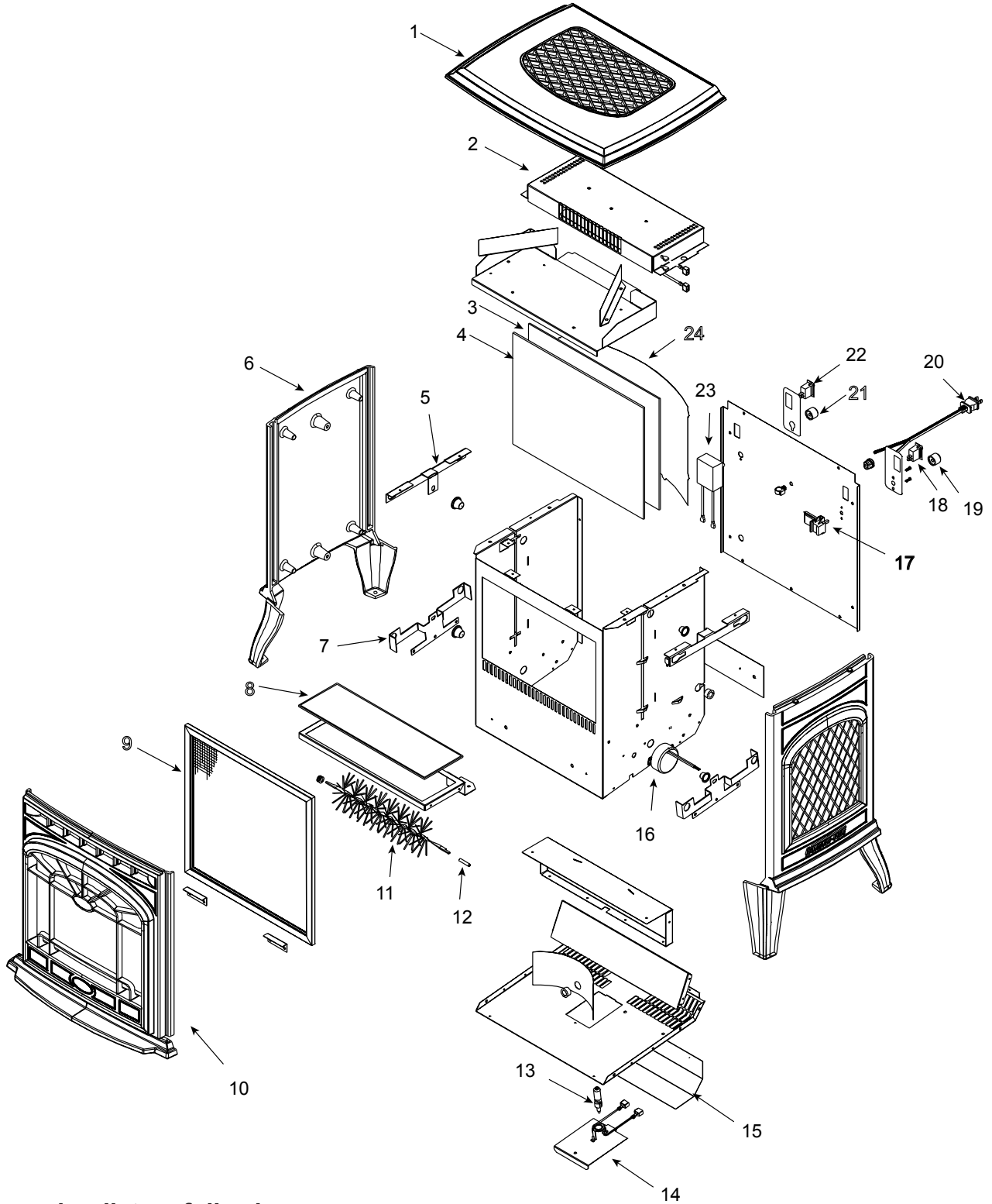


**Stocked  
at Depot**

ITEM	DESCRIPTION	COMMENTS	PART NUMBER	
	Log Assembly	No longer available	4035-156	
1	Top Casting	Specify color	464-0140MBK	
2	Heater Assembly	No longer available	4035-155	
3	Air Channel	No longer available	4035-321	
4	Air Deflector	No longer available	4035-305	
5	Flame Panel	No longer available	4035-308	
6	Lens	No longer available	4035-804	
7	Back Glass	No longer available	4035-801	
8	Side Casting - Qty. 2 req.	Specify color	7016-109MBK	
9	Upper Casting Support	No longer available	4035-306	
10	Lower Casting Support	No longer available	4035-307	
11	Ember Bed	No longer available	4035-818	
12	Hearth Pan	No longer available	4035-205	
13	Front Screen Assembly	No longer available	4035-151	
14	Front Casting	No longer available	464-0160	
15	Retainer	No longer available	4035-311	
16	Flame Element Kit	No longer available	4035-153	
17	Parabolic Reflector	No longer available	4035-309	
18	Split Bushing	No longer available	4021-177	
19	Halogen Bulb	No longer available	33961	
20	Socket Assembly	No longer available	4035-152	
21	Outer Bottom Light Shield	No longer available	4035-322	
22	Box Bottom	No longer available	4035-302	
23	Bottom Light Shield	No longer available	4035-320	
24	Light Shield	No longer available	4035-318	
25	Box Front	No longer available	4035-300	
26	Motor	No longer available	4035-860	
27	Front Reflector	No longer available	4035-316	
28	Snap-in Cord Clip	No longer available	25611	
29	Bi-metal Thermostat	No longer available	4035-808	
30	Box Back	No longer available	4035-301	
31	On/Off, Switch	Qty. 2 req.	SRV32D0232	Y
32	Knob (Thermostat)	No longer available	4035-826	
33	Two Prong Power Cord	No longer available	4030-802	
34	Strain Relief Bushing	No longer available	4030-873	
35	Knob		SRV7000-246	Y
36	Variable Control	No longer available	4035-809	

\*\* Contact your local distributor/dealer to order Casting parts.

GarnetE-MBK-C (Black), GarnettE-PMH-C (Mahogany)



Part number list on following page.

Beginning Manufacturing Date: Oct. 2005  
Ending Manufacturing Date: Mar. 2006

IMPORTANT: THIS IS DATED INFORMATION. Parts must be ordered from a dealer or distributor. **Hearth and Home Technologies does not sell directly to consumers.** Provide model number and serial number when requesting service parts from your dealer or distributor.



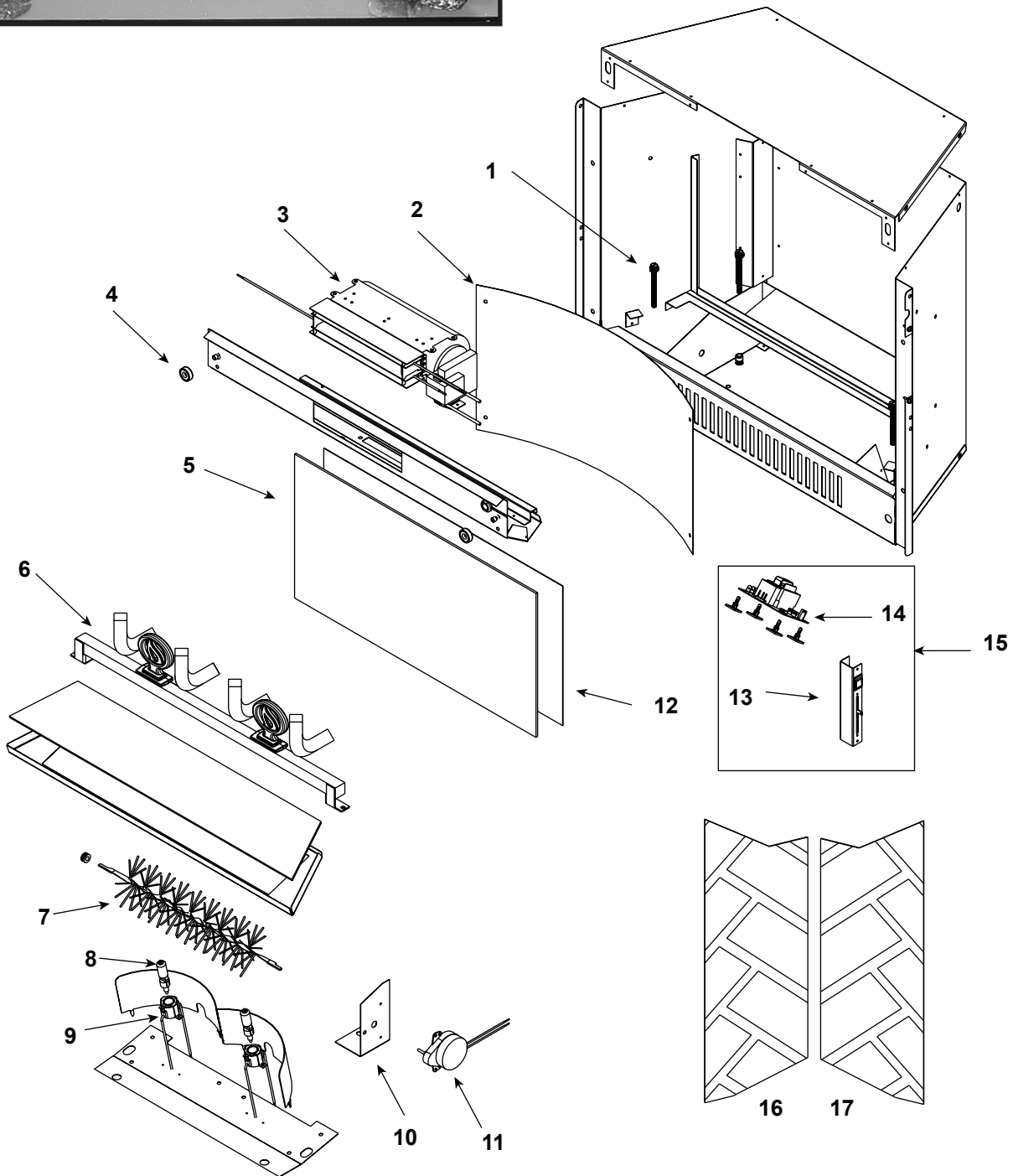
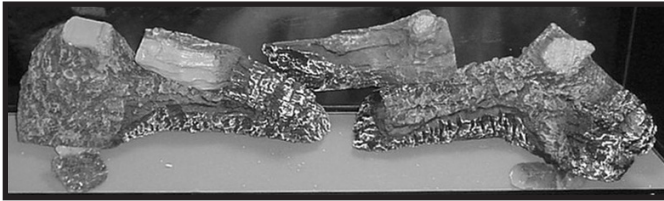
Stocked  
at Depot

ITEM	DESCRIPTION	COMMENTS	PART NUMBER	
	Log Assembly	No longer available	4035-156	
1	Top Casting	Specify Color	464-0140MBK	
2	Heater Assembly	No longer available	4035-155	
3	Lens	No longer available	4035-804	
4	Back Glass	No longer available	4035-801	
5	Upper Casting Support	No longer available	4035-306	
6	Side Casting (Left and/or Right)	Specify Color	7016-109MBK	
7	Lower Casting Support	No longer available	4035-307	
8	Ember Bed	No longer available	4035-818	
9	Front Screen Assembly	No longer available	4035-151	
10	Front Casting	No longer available	464-0160	
11	Flame Element Assembly	No longer available	4035-153	
12	Heat Shrink	No longer available	4030-810	
13	Halogen Bulb	No longer available	33961	
14	Socket Assembly	No longer available	4035-152	
15	Outer Bottom Light Shield	No longer available	4035-322	
16	Motor	No longer available	4035-860	
17	Bi-metal Thermostat	No longer available	4035-808	
18	On/Off, Switch		SRV32D0232	Y
19	(Thermostat) Knob	No longer available	4035-826	
20	Two Prong Power Cord	No longer available	4030-802	
21	Knob		SRV7000-246	Y
22	On/Off, Switch		SRV32D0232	Y
23	Variable Control	No longer available	4035-809	
24	Flame Panel	No longer available	4035-308	

\*\* Contact your local distributor/dealer to order Casting parts



**Log Set Assembly**



Part number list on following page.

Beginning Manufacturing Date: Apr 2004  
Ending Manufacturing Date: Jul 2005

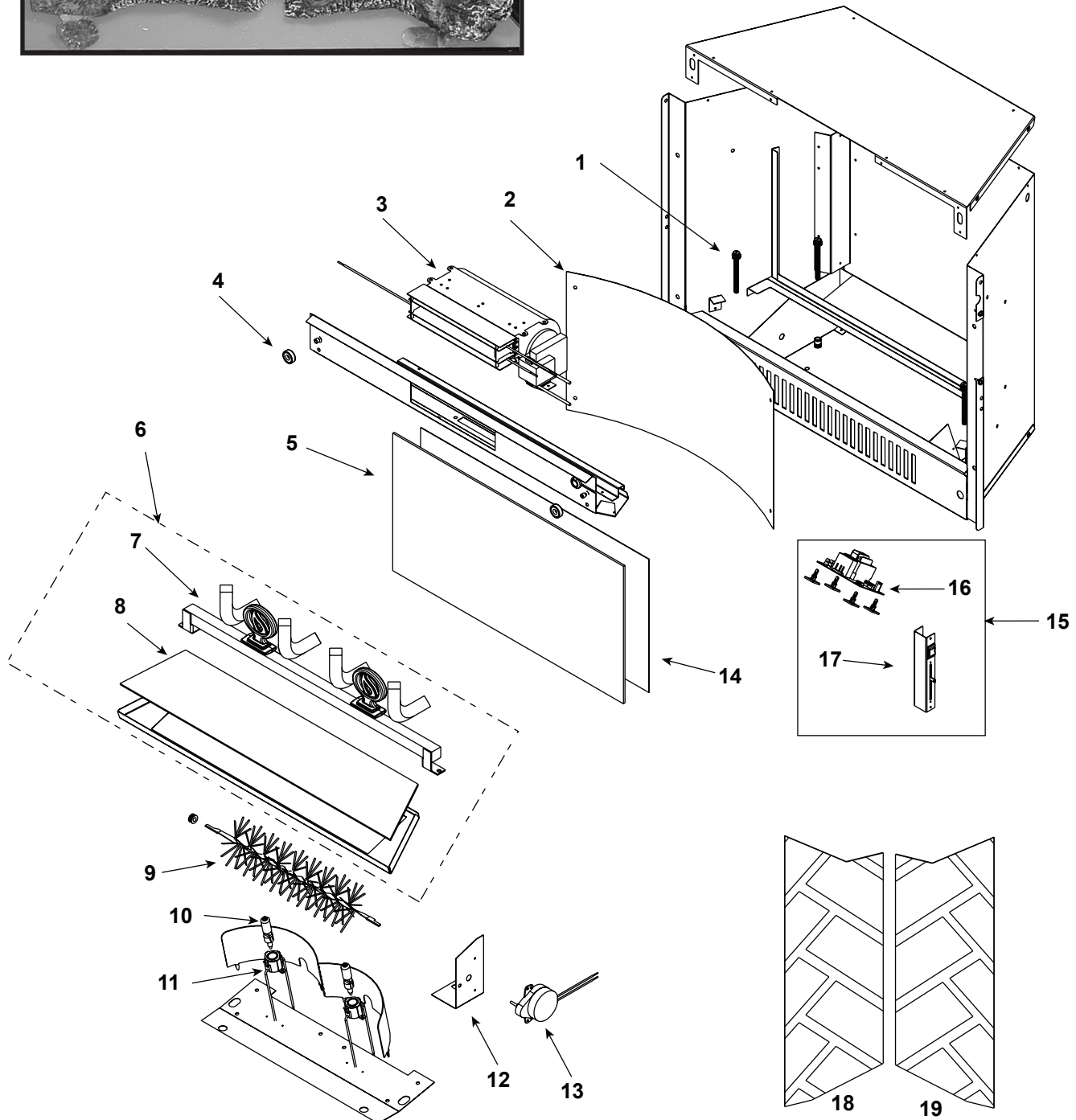
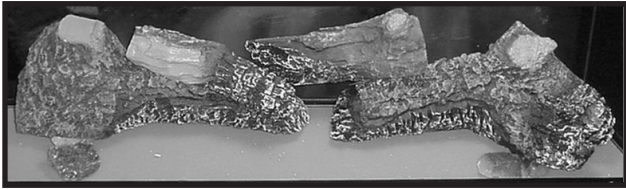
IMPORTANT: THIS IS DATED INFORMATION. Parts must be ordered from a dealer or distributor. **Hearth and Home Technologies does not sell directly to consumers.** Provide model number and serial number when requesting service parts from your dealer or distributor.



**Stocked  
at Depot**

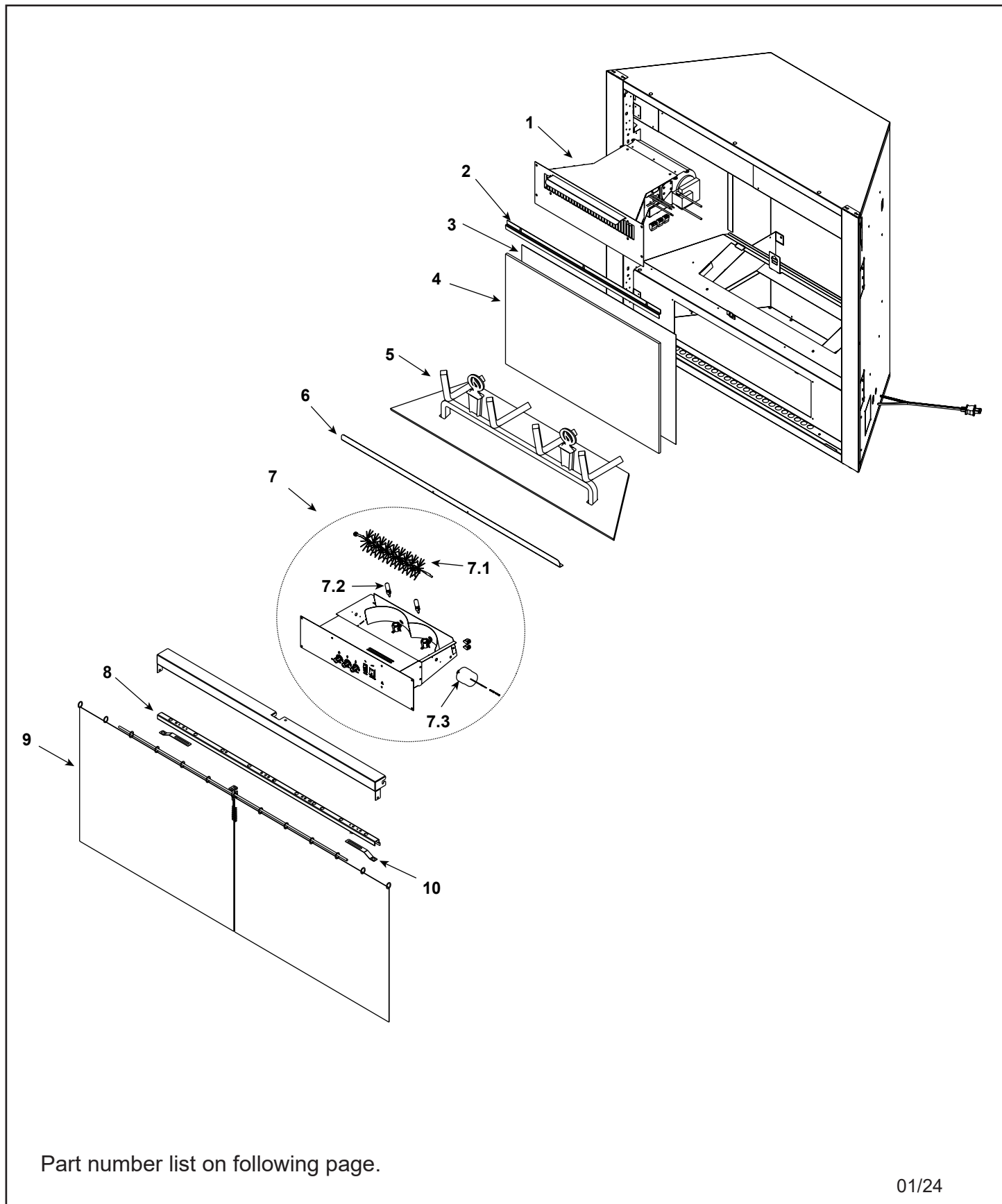
ITEM	DESCRIPTION	COMMENTS	PART NUMBER	
	<b>23/26 Log Assy</b>	No longer available	4038-004	
	Log, Bottom Left	No longer available	4038-030	
	Log, Top Left	No longer available	4038-031	
	Log, Center	No longer available	4038-032	
	Log, Bottom Right	No longer available	4038-033	
	Log, Top Right	No longer available	4038-034	
1	Leveling Bolts	No longer available	4038-823	
2	Reflective Flame Panel	No longer available	4030-162	
		No longer available	4021-190	
3	Heater/Blower Assy	No longer available	SRV4038-107	
4	Top Magnet Assy	No longer available	4038-109	
5	26 in./31 in. Back Glass	No longer available	4038-810	
6	QV26E Grate Assy.	No longer available	4038-886	
7	Flame Element Kit	No longer available	4030-200	
8	Halogen Light	No longer available	33961	
9	Light Receptacle	No longer available	33962	
10	Motor Bracket	No longer available	4038-009	
11	Motor	No longer available	4035-860	
12	26 in./31 in. Lenticular Lens	No longer available	4030-840	
13	Thermostat Control Assy	No longer available	4038-806	
14	Control Board Assy	No longer available	4038-108	
15	Switch Assy	No longer available	4038-110	
16	Refractory-LH-26 in.	No longer available	4038-819	
17	Refractory-RH-26 in.	No longer available	4038-820	
	Andiron	No longer available	4038-890	
	Control Switch Wire assy	No longer available	4038-814	
	Gasket	No longer available	4038-900	
	Glass Retainer, Top	No longer available	4038-012	
	Hearth Assembly	No longer available	4038-042	
	Power Cord	No longer available	4030-802	
	Slide Pot Rubber Boot	No longer available	4038-811	
	Strain Relief Bushing (Power Cord)	No longer available	4030-873	
	Strain Relief Bushing (Switch Wires)	No longer available	25756	
	Thermistor	No longer available	4038-849	
	Installation Manual		4038-827	

**Log Set Assembly**



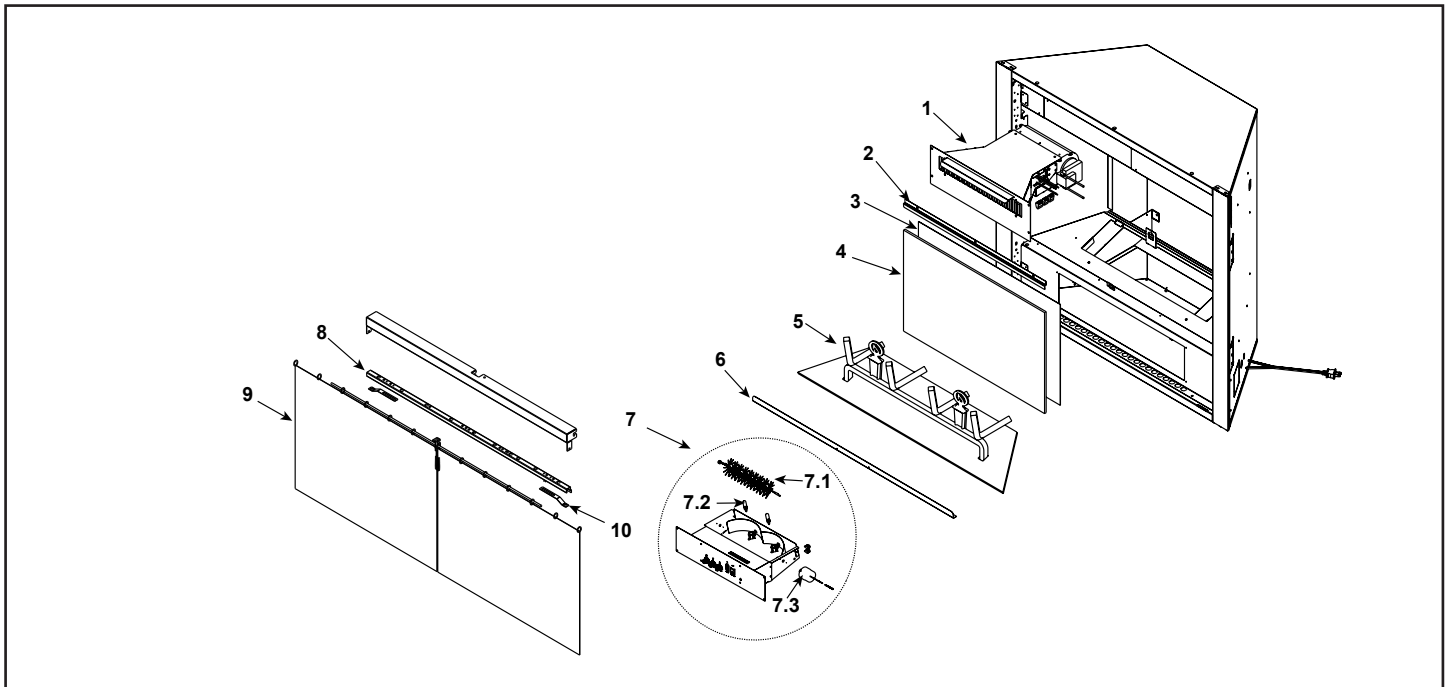
Part number list on following page.





Part number list on following page.



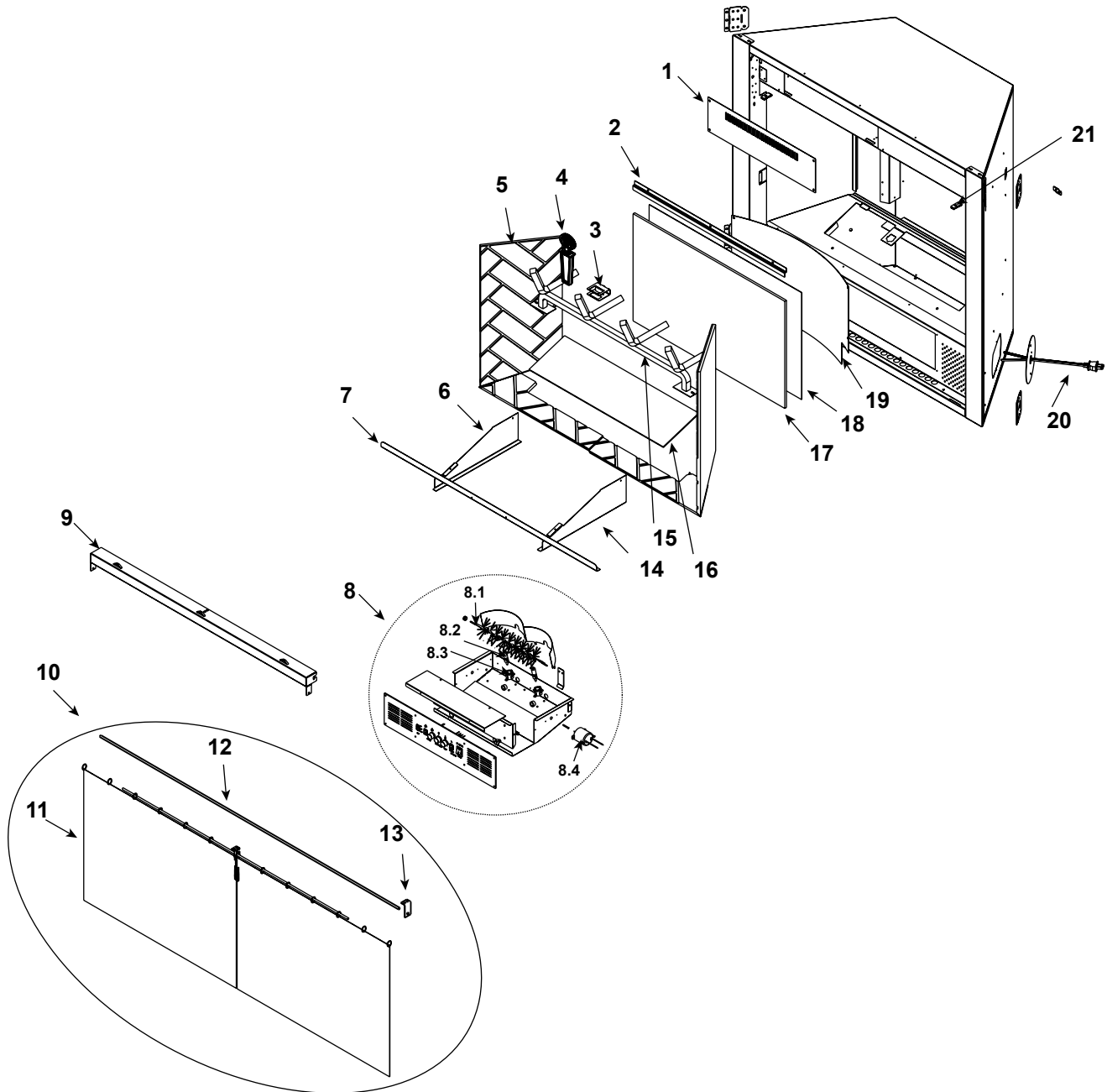


**IMPORTANT: THIS IS DATED INFORMATION.** When requesting service or replacement parts for your appliance please provide model number and serial number. All parts listed in this manual may be ordered from an authorized dealer.



**Stocked at Depot**

ITEM	DESCRIPTION	COMMENTS	PART NUMBER
	Electric Log Assembly	No longer available	4030-055
1	120VAC Heater Assembly (Must order both Parts)	No longer available	SRV4030-541
		No longer available	4050-104
2	Upper Glass Retainer	No longer available	4030-218
3	Lenticular Lens	No longer available	4030-840
4	Acrylic Panel	No longer available	4038-810
5	QV32E Grate Assembly	No longer available	4030-608
6	Rock Retainer	No longer available	4030-219
7	Light Tray Assembly	No longer available	SRV-020
7.1	Flame Element Kit	No longer available	4030-200
7.2	Halogen Light	No longer available	33961
7.3	Motor w/Vinyl Cover Assembly	No longer available	4030-883
8	31 in. door Track	No longer available	4030-225
9	Screen & Rod Assembly	No longer available	4030-050
10	Door Pivot Clip		SRV31527
	Fixed Ember Bed	No longer available	4030-913
	Light Receptacle	No longer available	33962
	Power Cord	No longer available	4030-018
	Reflective Flame Decal	No longer available	4021-190
	Refractory Side LH	No longer available	4030-831
	Refractory Side RH	No longer available	4030-832
	Installation Manual		4030-782



Part number list on following page.



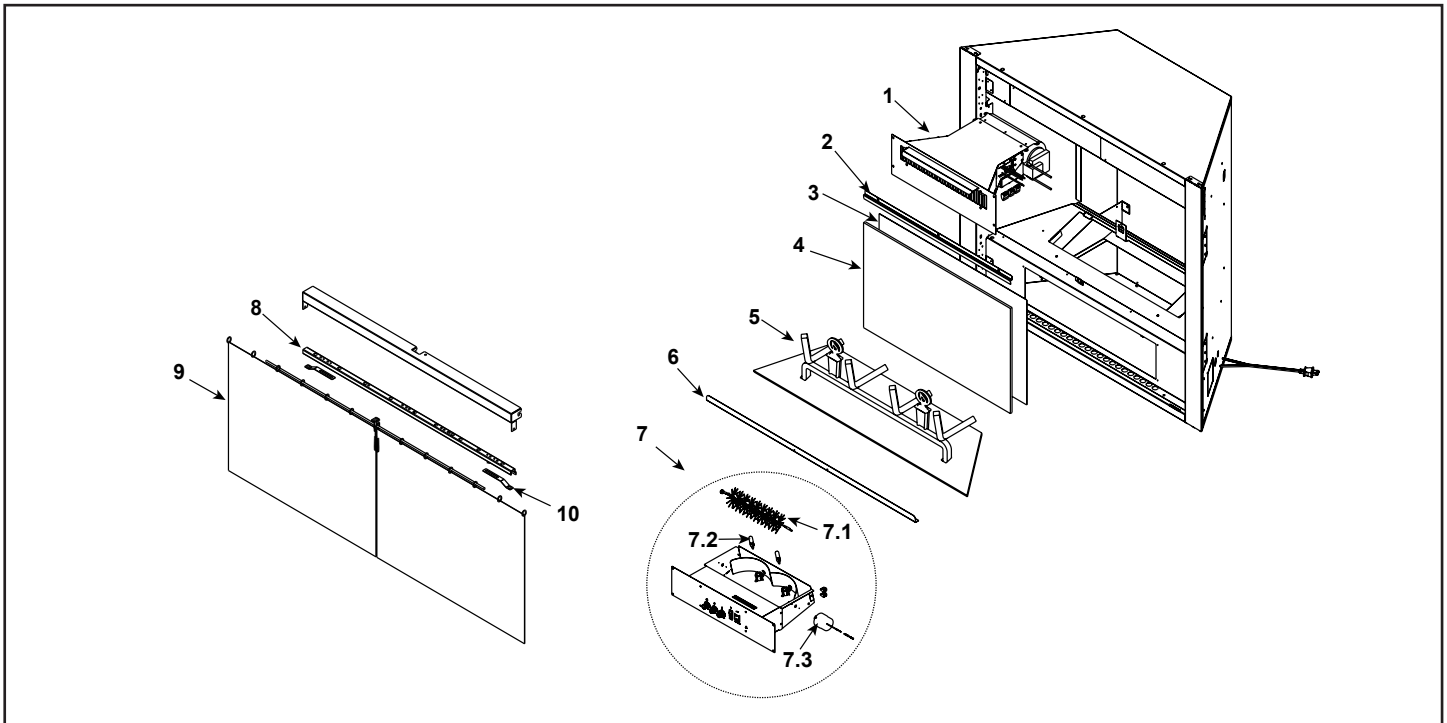
Beginning Manufacturing Date: July 2004  
Ending Manufacturing Date: Oct 2004

IMPORTANT: THIS IS DATED INFORMATION. When requesting service or replacement parts for your appliance please provide model number and serial number. All parts listed in this manual may be ordered from an authorized dealer.



**Stocked  
at Depot**

ITEM	DESCRIPTION	COMMENTS	PART NUMBER	
	Electric Log Assy	No longer available	4030-055	
1	Heater Face Cover	No longer available	4030-100	
2	31 in. Upper Glass Retainer	No longer available	4030-218	
3	Andiron Bracket	No longer available	4030-171	
4	Andiron, Cast, Raw	Qty 2 req	SRV434-0450	
5	QV32E Refractory Assy			
	31 in. QV Refractory Side LH	No longer available	4030-831	
	32 in. QV Refractory Side RH	No longer available	4030-832	
	32 in. QV Hearth Refractory LH	No longer available	4030-833	
	32 in. QV Hearth Refractory RH	No longer available	4030-834	
6	Flame Tray Support LH	No longer available	4030-165	
7	31 in. Rock Retainer	No longer available	4030-219	
8	Light Tray Assy	No longer available	SRV-020	
8.1	Flame Element Replacement Kit	No longer available	4030-200	
8.2	Halogen Light	No longer available	33961	
8.3	Light Receptacle	No longer available	33962	
8.4	Motor w/Vinyl Cover Assy	No longer available	4030-883	
9	31 in. Upper Face Panel	No longer available	4030-217	
10	31 in. Screen & Rod Assy	No longer available	4030-050	
11	31 in. Screen Panel Assy	No longer available	4030-051	
12	31 in. Screen Rod	No longer available	4030-221	
13	Screen Rod Retainer	No longer available	4030-158	
14	Flame Tray Support RH	No longer available	4030-166	
15	QV Grate Assy	No longer available	4030-898	
16	Ember Bed Glass Panel	No longer available	4030-803	
17	26/31 in. Back Glass Panel	No longer available	4038-810	
18	26/31 in. Lenticular Lens	No longer available	4030-840	
19	Reflective Flame Decal	No longer available	4021-190	
20	Power Cord	No longer available	4030-802	
21	Hood Clip	Pkg of 24	047-805-24	Y
	Ember bed	No longer available	4030-914	
	Firescreen Ring	Pkg of 10	11857B/10	
	Handle Screen		SRV10002	
	Lava Rock		SRV4021-296	
	Painted Teco-Sil Rock	No longer available	4030-811	
	Strain Relief	No longer available	4030-873	
	Strain Relief Bushing	No longer available	10203	
	QV Installation Instructions		4030-240	

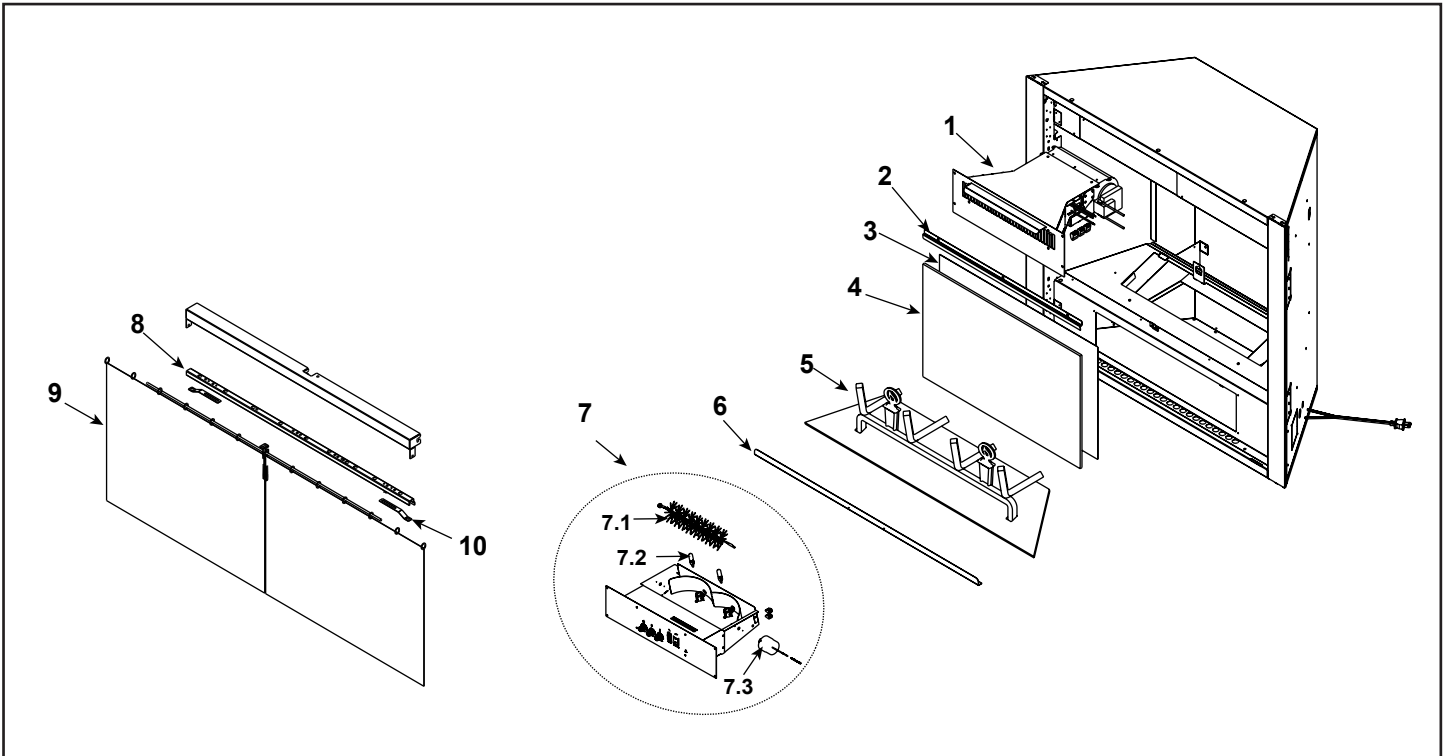


IMPORTANT: THIS IS DATED INFORMATION. When requesting service or replacement parts for your appliance please provide model number and serial number. All parts listed in this manual may be ordered from an authorized dealer.



**Stocked at Depot**

ITEM	DESCRIPTION	COMMENTS	PART NUMBER	
	Electric Log Assy	No longer available	4030-055	
1	240VAC Heater Assy	No longer available	SRV4030-539EV	
2	Upper Glass Retainer	No longer available	4030-218	
3	Lenticular Lens	No longer available	4030-840	
4	Acrylic Panel	No longer available	4038-810	
5	Grate Assembly	No longer available	4030-896	
6	Rock Retainer	No longer available	4030-219	
7	Light Tray Assembly	No longer available	SRV-020	
7.1	Flame Element Kit	No longer available	4030-200	
7.2	Halogen Light	No longer available	33961	
7.3	Motor w/Vinyl Cover Assy	No longer available	4030-883	
8	31 in. Door Track	No longer available	4030-225	
9	Screen & Rod Assy	No longer available	4030-050	
10	Door Pivot Clip		SRV31527	
	Ember Bed	No longer available	4030-913	
	Reflective Flame Decal	No longer available	4021-190	
	<b>Refractory Assy</b>			
	Refractory Side LH	No longer available	4030-831	
	Refractory Side RH	No longer available	4030-832	
	Installation Manual		4030-240	

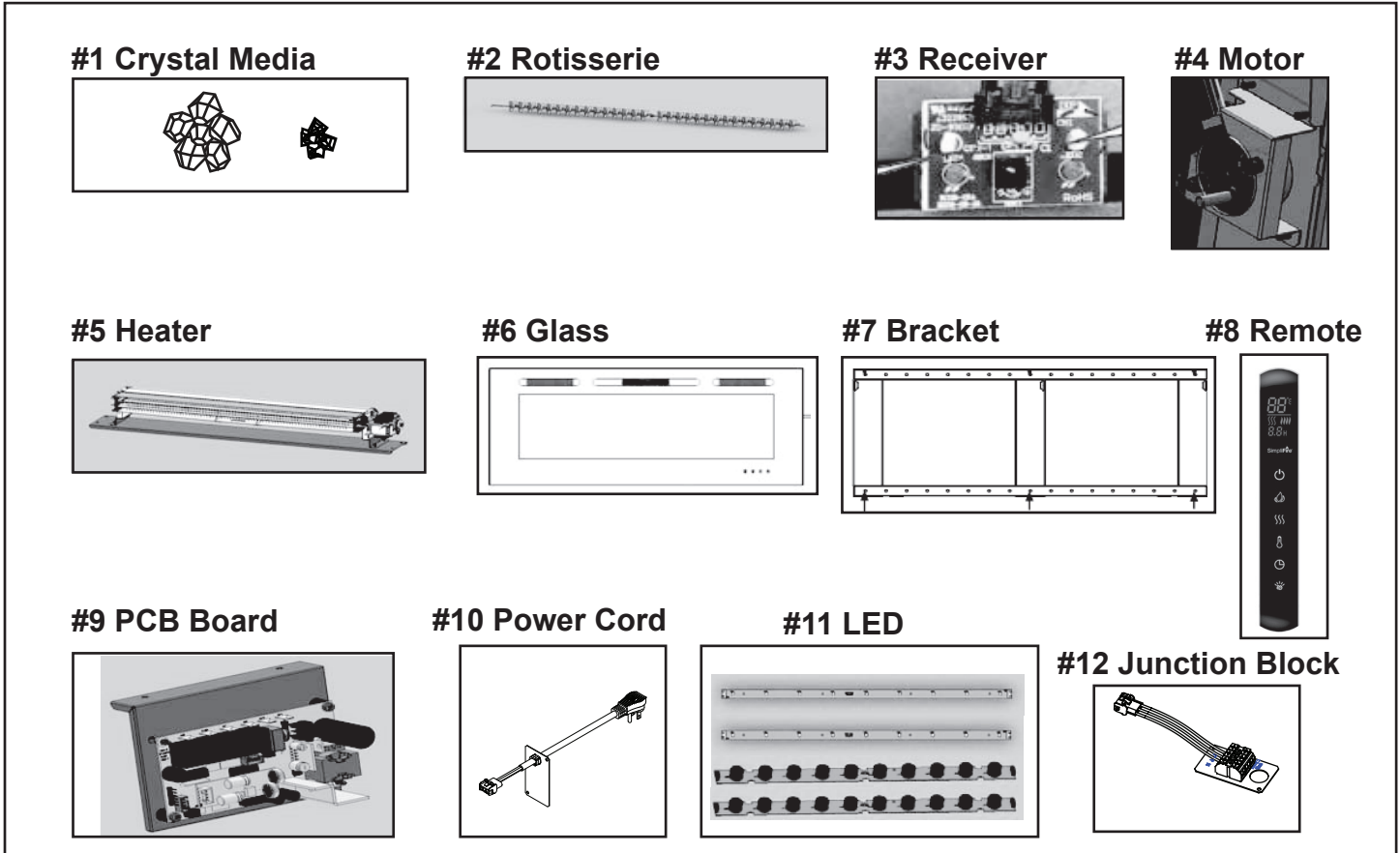


IMPORTANT: THIS IS DATED INFORMATION. When requesting service or replacement parts for your appliance please provide model number and serial number. All parts listed in this manual may be ordered from an authorized dealer.



**Stocked at Depot**

ITEM	DESCRIPTION	COMMENTS	PART NUMBER
	Electric Log Assy	No longer available	4030-055
1	240VAC Heater Assy	No longer available	SRV4030-539EV
2	Upper Glass Retainer	No longer available	4030-218
3	Lenticular Lens	No longer available	4030-840
4	Acrylic Panel	No longer available	4038-810
5	Grate Assembly	No longer available	4030-896
6	Rock Retainer	No longer available	4030-219
7	Light Tray Assembly	No longer available	SRV-020
7.1	Flame Element Kit	No longer available	4030-200
7.2	Halogen Light	No longer available	33961
7.3	Motor w/Vinyl Cover Assy	No longer available	4030-883
8	31 in. Door Track	No longer available	4030-225
9	Screen & Rod Assy	No longer available	4030-050
10	Door Pivot Clip		SRV31527
	Ember Bed	No longer available	4030-913
	Reflective Flame Decal	No longer available	4021-190
	<b>Refractory Assy</b>		
	Refractory Side LH	No longer available	4030-831
	Refractory Side RH	No longer available	4030-832
	Installation Manual		4030-782

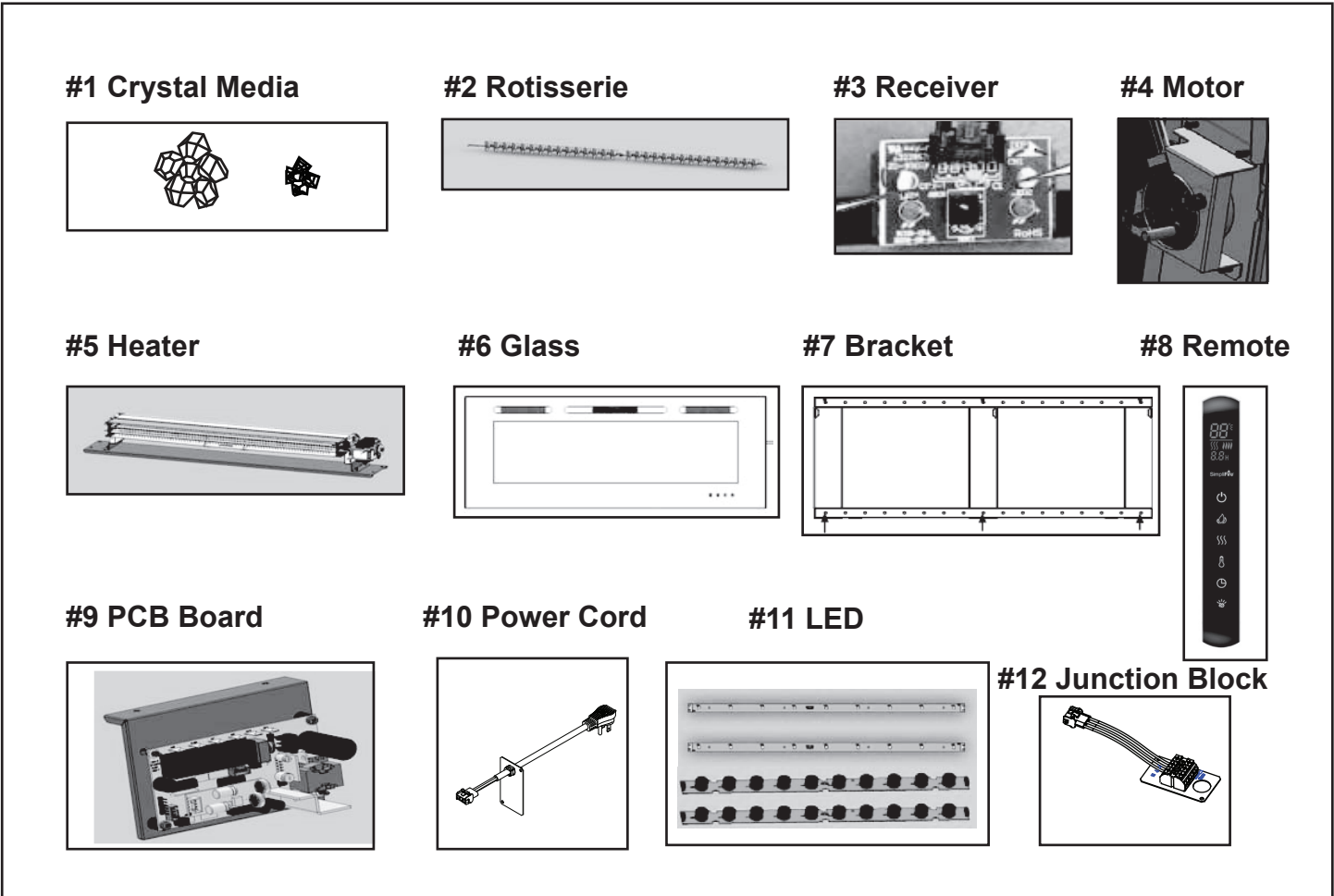


**IMPORTANT: THIS IS DATED INFORMATION.** Parts must be ordered from a dealer or distributor. **Hearth and Home Technologies does not sell directly to consumers.** Provide model number and serial number when requesting service parts from your dealer or distributor.



**Stocked at Depot**

ITEM	DESCRIPTION	COMMENTS	PART NUMBER	
1	Crystal Media		CRYSTAL-ALLUS	Y
2	Rotisserie, 40"		ROTISS-ALL40	Y
3	Remote Receiver		RECEIV-ALLUS-E	Y
4	Allusion Motor		MOTOR-ALLUS	Y
5	Heater Assembly		HEATER-ALLUS	Y
6	Glass Front, 40"		GLA-ALL40	Y
7	Hanging Bracket		BRACKET-ALL48	
8	Remote		REMOT-ELECT-ALL	Y
9	PCB Board Assembly		PCB-ALLUS	Y
10	Power Cord		SF-PLUGIN	Y
11	LED Assembly, 40"	Emberbed & Flame	LED-ALL40	Y
12	Hardwire Junction Block Replacement		SF-JBLOCK	Y
	Allusion Hardware Kit	Fixing Brackets & Screws	HDWR-ALLUS	Y

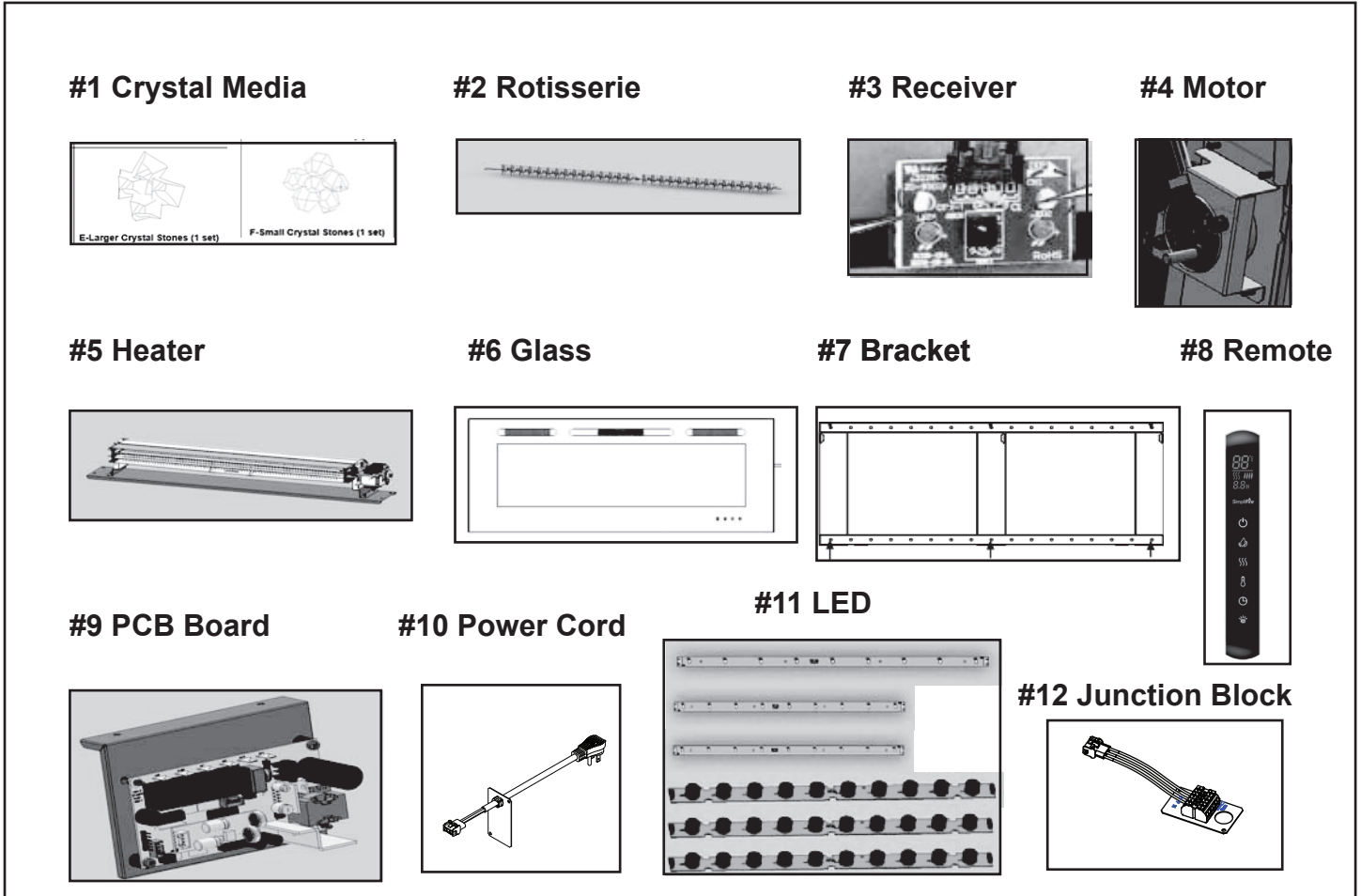


**IMPORTANT: THIS IS DATED INFORMATION.** Parts must be ordered from a dealer or distributor. **Hearth and Home Technologies does not sell directly to consumers.** Provide model number and serial number when requesting service parts from your dealer or distributor.



**Stocked at Depot**

ITEM	DESCRIPTION	COMMENTS	PART NUMBER	
1	Crystal Media		CRYSTAL-ALLUS	Y
2	Rotisserie, 48"		ROTISS-ALL48	Y
3	Remote Receiver		RECEIV-ALLUS-E	Y
4	Allusion Motor		MOTOR-ALLUS	Y
5	Heater Assembly		HEATER-ALLUS	Y
6	Glass Front, 48"		GLA-ALL48	Y
7	Hanging Bracket		BRACKET-ALL48	
8	Remote		REMOT-ELECT-ALL	Y
9	PCB Board Assembly		PCB-ALLUS	Y
10	Power Cord		SF-PLUGIN	Y
11	LED Assembly, 48"		LED-ALL48	Y
12	Hardwire Junction Block Replacement		SF-JBLOCK	Y
	Allusion Hardware Kit	Fixing Brackets & Screws	HDWR-ALLUS	Y

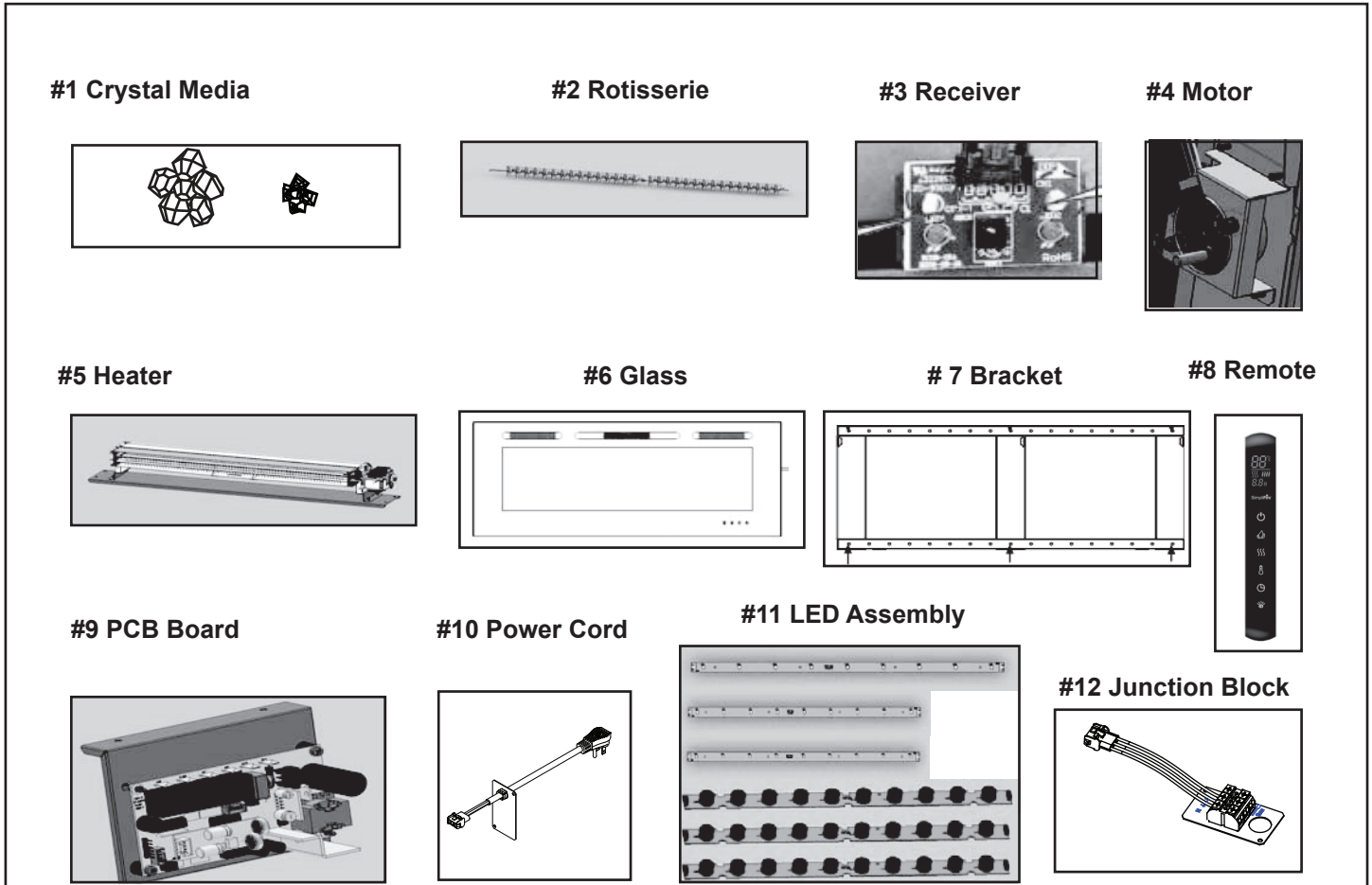


**IMPORTANT: THIS IS DATED INFORMATION.** Parts must be ordered from a dealer or distributor. **Hearth and Home Technologies does not sell directly to consumers.** Provide model number and serial number when requesting service parts from your dealer or distributor.



**Stocked at Depot**

ITEM	DESCRIPTION	COMMENTS	PART NUMBER	
1	Crystal Media		CRYSTAL-ALLUS	Y
2	Rotisserie, 60"		ROTISS-ALL60	Y
3	Remote Receiver		RECEIV-ALLUS-E	Y
4	Allusion Motor		MOTOR-ALLUS	Y
5	Heater Assembly		HEATER-ALLUS	Y
6	Glass Front, 60"		GLA-ALL60	Y
7	Hanging Bracket		BRACKET-ALL60	
8	Remote		REMOT-ELECT-ALL	Y
9	PCB Board Assembly		PCB-ALLUS	Y
10	Power Cord		SF-PLUGIN	Y
11	LED Assembly, 60"		LED-ALL60	Y
12	Hardwire Junction Block Replacement		SF-JBLOCK	Y
	Allusion Hardware Kit	Fixing Brackets & Screws	HDWR-ALLUS	Y

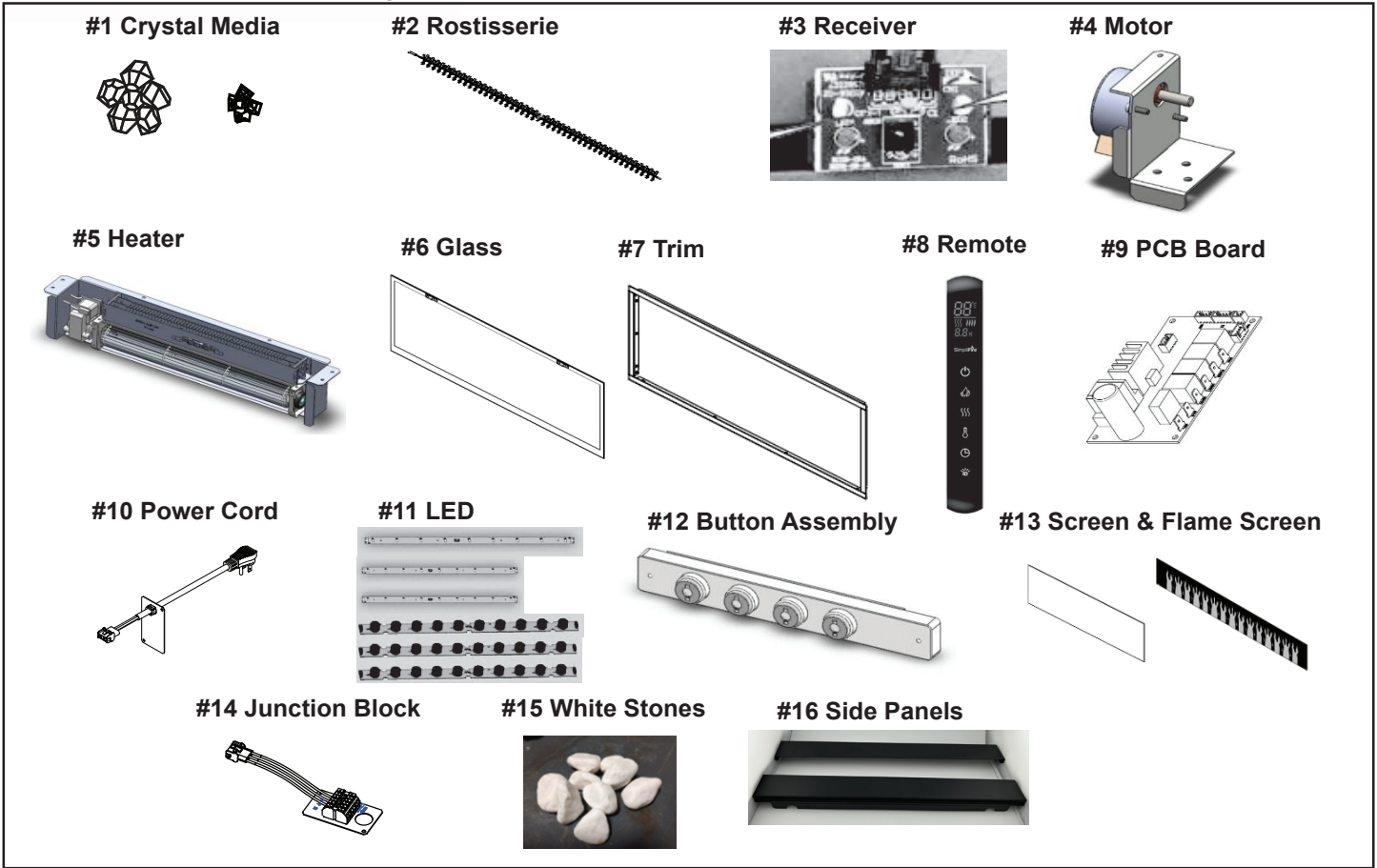


**IMPORTANT: THIS IS DATED INFORMATION.** Parts must be ordered from a dealer or distributor. **Hearth and Home Technologies does not sell directly to consumers.** Provide model number and serial number when requesting service parts from your dealer or distributor.



**Stocked at Depot**

ITEM	DESCRIPTION	COMMENTS	PART NUMBER	
1	Crystal Media		CRYSTAL-ALLUS	Y
2	Rotisserie, 84"		ROTISS-ALL84	Y
3	Remote Receiver		RECEIV-ALLUS-E	Y
4	Allusion Motor		MOTOR-ALLUS	Y
5	Heater Assembly		HEATER-ALLUS	Y
6	Glass Front, 84"		GLA-ALL84	Y
7	Hanging Bracket		BRACKET-ALL84	
8	Remote		REMOT-ELECT-ALL	Y
9	PCB Board Assembly		PCB-ALLUS	Y
10	Power Cord		SF-PLUGIN	Y
11	LED Assembly, 84"	Emberbed & Flame	LED-ALL84	Y
12	Hardwire Junction Block Replacement		SF-JBLOCK	Y
	Allusion Hardware Kit	Fixing Brackets & Screws	HDWR-ALLUS	Y



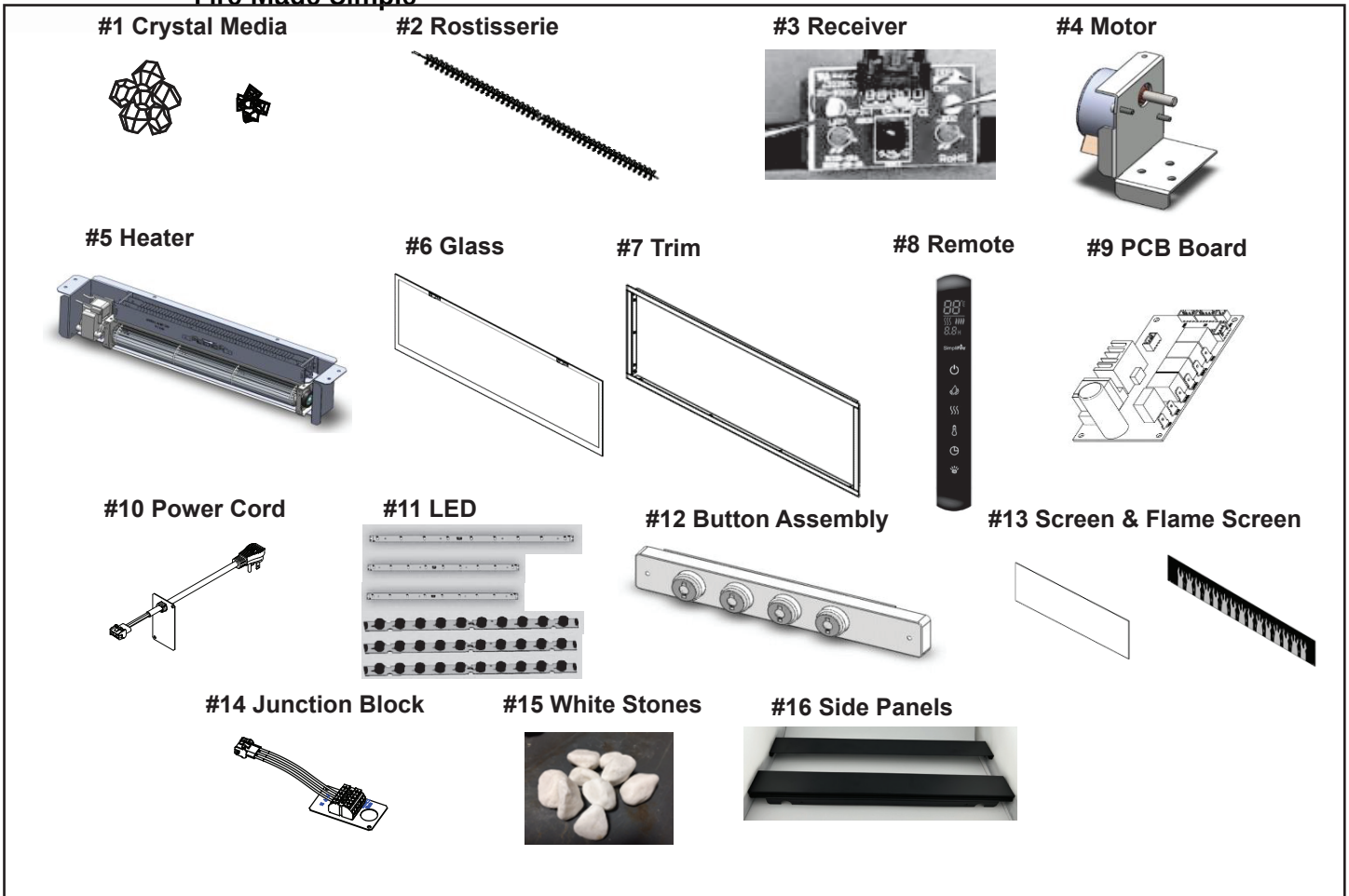
**IMPORTANT: THIS IS DATED INFORMATION.** Parts must be ordered from a dealer or distributor. **Hearth and Home Technologies does not sell directly to consumers.** Provide model number and serial number when requesting service parts from your dealer or distributor.



**Stocked at Depot**

ITEM	DESCRIPTION	COMMENTS	PART NUMBER	
1	Crystal Media		CRYSTAL-ALLUS	Y
2	Rotisserie, 50"		ROTISS-ALLP50	Y
3	Remote Receiver		RECEIV-ALLUS-E	Y
4	Flame Motor		MOTOR-ALLP	Y
5	Fan Heater		HEATER-ALLP	Y
6	Glass Front, 50"		GLA-ALLP50	Y
7	Trim, 50"		TRIM-ALLP50	Y
8	Remote		REMOT-ELECT-ALL	Y
9	Main PCB		PCB-ALLP	Y
10	Power Cord		SF-PLUGIN	Y
11	LED Assembly, 50" (Ember and Flame Bed Included)		LED-ALLP50	Y
12	Button Assembly		TOUCH-ALLP	Y
13	Screen and Flame Screen, 50"		FLAME-ALLP50	Y
14	Hardwire Junction Block Replacement		SF-JBLOCK	Y
15	Allusion Ceramic Stones		SF-STONES-WHITE	Y
16	Side Panels		PANELS-ALLP	Y
	Electric Hardware Pack (Glass Retaining Brackets and Thumb Screws)		HDWR-LINEAR	Y



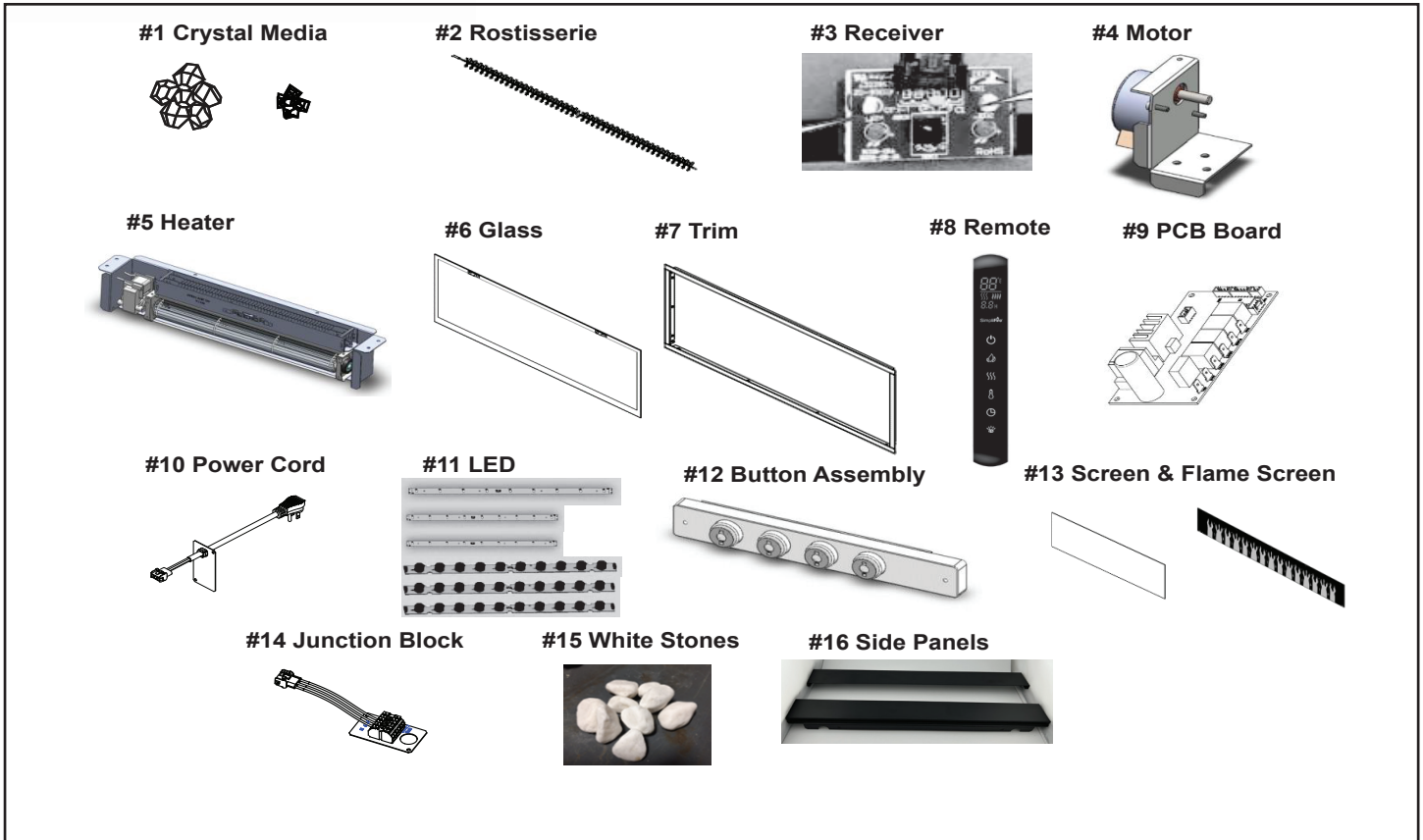


**IMPORTANT: THIS IS DATED INFORMATION.** Parts must be ordered from a dealer or distributor. **Hearth and Home Technologies does not sell directly to consumers.** Provide model number and serial number when requesting service parts from your dealer or distributor.



**Stocked at Depot**

ITEM	DESCRIPTION	COMMENTS	PART NUMBER	Stocked at Depot
1	Crystal Media		CRYSTAL-ALLUS	Y
2	Rotisserie, 60"		ROTISS-ALLP60	Y
3	Remote Receiver		RECEIV-ALLUS-E	Y
4	Flame Motor		MOTOR-ALLP	Y
5	Fan Heater		HEATER-ALLP	Y
6	Glass Front, 60"		GLA-ALLP60	Y
7	Trim, 60"		TRIM-ALLP60	Y
8	Remote		REMOT-ELECT-ALL	Y
9	Main PCB		PCB-ALLP	Y
10	Power Cord		SF-PLUGIN	Y
11	LED Assembly, 60" (Ember and Flame Bed Included)		LED-ALLP60	Y
12	Button Assembly		TOUCH-ALLP	Y
13	Screen and Flame Screen, 60"		FLAME-ALLP60	Y
14	Hardwire Junction Block Replacement		SF-JBLOCK	Y
15	Allusion Ceramic Stones		SF-STONES-WHITE	Y
16	Side Panels		PANELS-ALLP	Y

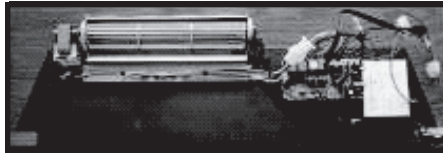


**IMPORTANT: THIS IS DATED INFORMATION.** Parts must be ordered from a dealer or distributor. **Hearth and Home Technologies does not sell directly to consumers.** Provide model number and serial number when requesting service parts from your dealer or distributor.



**Stocked at Depot**

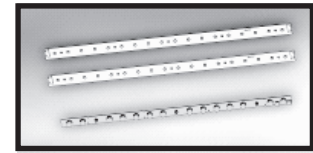
ITEM	DESCRIPTION	COMMENTS	PART NUMBER	
1	Crystal Media		CRYSTAL-ALLUS	Y
2	Rotisserie, 72"		ROTISS-ALLP72	Y
3	Remote Receiver		RECEIV-ALLUS-E	Y
4	Flame Motor		MOTOR-ALLP	Y
5	Fan Heater		HEATER-ALLP	Y
6	Glass Front, 72"		GLA-ALLP72	Y
7	Trim, 72"		TRIM-ALLP72	Y
8	Remote		REMOT-ELECT-ALL	Y
9	Main PCB		PCB-ALLP	Y
10	Power Cord		SF-PLUGIN	Y
11	LED Assembly, 72" (Ember and Flame Bed Included)		LED-ALLP72	Y
12	Button Assembly		TOUCH-ALLP	Y
13	Screen and Flame Screen, 72"		FLAME-ALLP72	Y
14	Hardwire Junction Block Replacement		SF-JBLOCK	Y
15	Allusion Ceramic Stones		SF-STONES-WHITE	Y
16	Side Panels		PANELS-ALLP	Y
	Electric Hardware Pack (Glass Retaining Brackets and Thumb Screws)		HDWR-LINEAR	Y



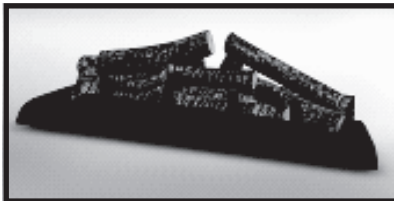
#1 Heater Tray



#2 Rotisserie Motor



#3 LED Strips



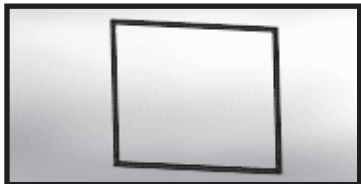
#4 Log/Grate Assembly



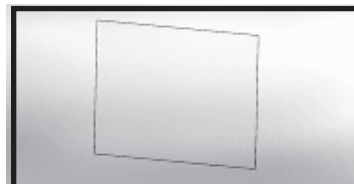
#5 Refractory Kit



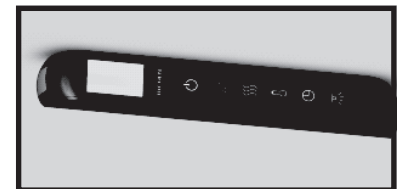
#6 Flame Screen



#7 Front



#8 Glass



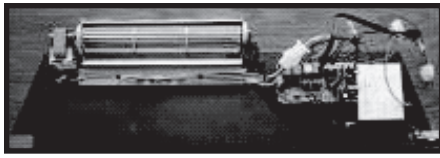
#9 Remote

IMPORTANT: THIS IS DATED INFORMATION. Parts must be ordered from a dealer or distributor. **Hearth and Home Technologies does not sell directly to consumers.** Provide model number and serial number when requesting service parts from your dealer or distributor.



Stocked at Depot

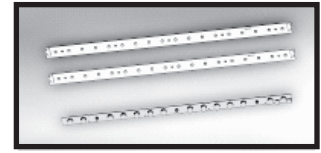
ITEM	DESCRIPTION	COMMENTS	PART NUMBER	Stocked at Depot
1	Heater Assembly includes Control Board and Fan	No Longer Available	HEATER-BI30	
2	Rotisserie Motor, Rod & 3 screws	No Longer Available	ROTISSERIE-BI30	
3	LED Strips, 3 Strips	No Longer Available	LED-BI30	
4	Log/Grate Assembly	No Longer Available	LOGS-BI30	
5	Refractory Kit	No Longer Available	REFRACTORY-BI30	
6	Flame Screen	No Longer Available	FLAME-BI30	
7	Front	No Longer Available	FRONT-BI30	
8	Glass		GLA-BI30	Y
9	Remote		REMOTE-SF-ELEC	Y
	Hardware Bag		HRDW-BI	Y
	Includes: Mounting Brackets, Screw (ST4 x 8), Screws (ST4 x 12)			
	Installation Manual	No Longer Available	2040-900	



#1 Heater/Control Board Assembly



#2 Rotisserie Motor



#3 LED Strips



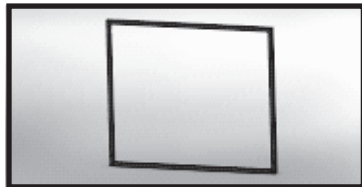
#4 Log/Grate Assembly



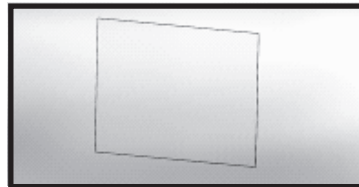
#5 Refractory Kit



#6 Flame Screen



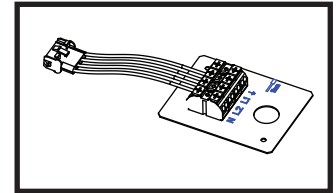
#7 Front



#8 Glass



#9 Remote



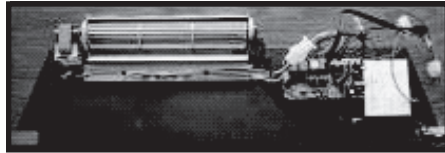
#10 Junction Block

IMPORTANT: THIS IS DATED INFORMATION. Parts must be ordered from a dealer or distributor. **Hearth and Home Technologies does not sell directly to consumers.** Provide model number and serial number when requesting service parts from your dealer or distributor.



Stocked at Depot

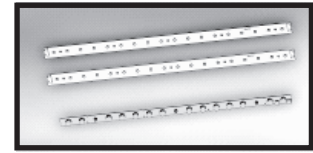
ITEM	DESCRIPTION	COMMENTS	PART NUMBER	Stocked at Depot
1	Heater/Control Board Assembly	Control Board, Heater & Fan Included	HEATER-BI30-B	Y
2	Rotisserie Motor, Rod & 3 screws		ROTISS-BI30-EB	Y
3	LED Strips, 3 Strips		LED-BI30-B	Y
4	Log/Grate Assembly		LOGS-BI30-B	Y
5	Refractory Kit		REFRACT-BI30-B	Y
6	Flame Screen		FLAME-BI30-B	Y
7	Front		FRONT-BI30-EB	Y
8	Glass		GLA-BI30	Y
9	Remote		REMOTE-ELECT-B	Y
10	Hardwire Junction Block Replacement (120V/240V Compatible)	Pre 12/23 Only	SF-JBLOCK-BI	Y
	Glass Channel (Includes 2 Screw)		GLA-CHA-BI30	Y
	Stand-off, Base	Set of 2	STANDOFF-ELEC-B	
	Hardware Bag Includes: Mounting Brackets, Screw (ST4 x 8), Screws (ST4 x 12)		HRDW-BI	Y
	Remote Receiver		RECEIVER-ELECT	Y
	Installation Manual		2040-980	
	Plug-in Kit	Pre 12/23	PLUGIN-ELECT-B	Y
		Post 12/23	SF-PI UGIN-4W	Y



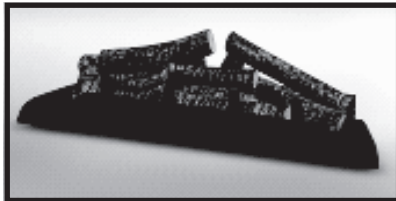
#1 Heater Tray



#2 Rotisserie Motor



#3 LED Strips



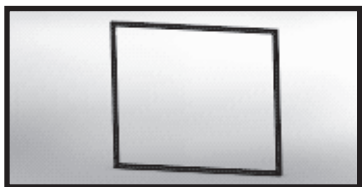
#4 Log/Grate Assembly



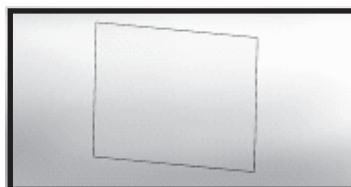
#5 Refractory Kit



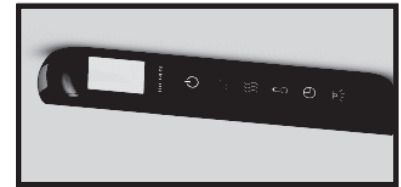
#6 Flame Screen



#7 Front



#8 Glass



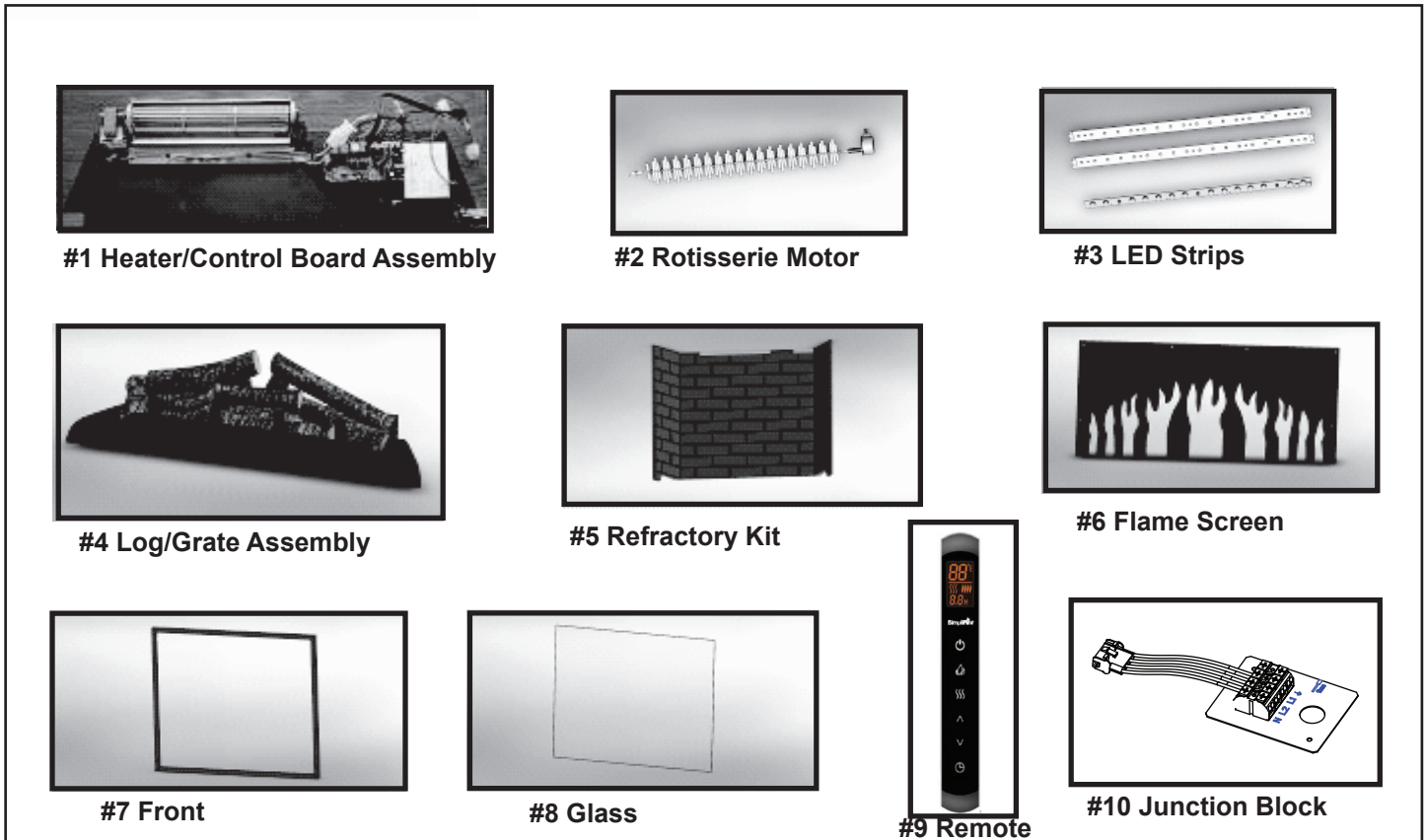
#9 Remote

IMPORTANT: THIS IS DATED INFORMATION. Parts must be ordered from a dealer or distributor. **Hearth and Home Technologies does not sell directly to consumers.** Provide model number and serial number when requesting service parts from your dealer or distributor.



Stocked at Depot

ITEM	DESCRIPTION	COMMENTS	PART NUMBER	Stocked at Depot
1	Heater Assembly includes Control Board and Fan	No Longer Available	HEATER-BI36	
2	Rotisserie Motor, Rod & 3 Screws	No Longer Available	ROTISSERIE-BI36	
3	LED Strips, 3 Strips	No Longer Available	LED-BI36	
4	Log/Grate Assembly	No Longer Available	LOGS-BI36	
5	Refractory Kit	No Longer Available	REFRACTORY-BI36	
6	Flame Screen	No Longer Available	FLAME-BI36	
7	Front	No Longer Available	FRONT-BI36	
8	Glass		GLA-BI36	Y
9	Remote		REMOTE-SF-ELEC	Y
	Hardware Bag		HRDW-BI	Y
	Includes: Mounting Brackets, Screw (ST4 x 8), Screws (ST4 x 12)			
	Installation Manual	No Longer Available	2040-900	

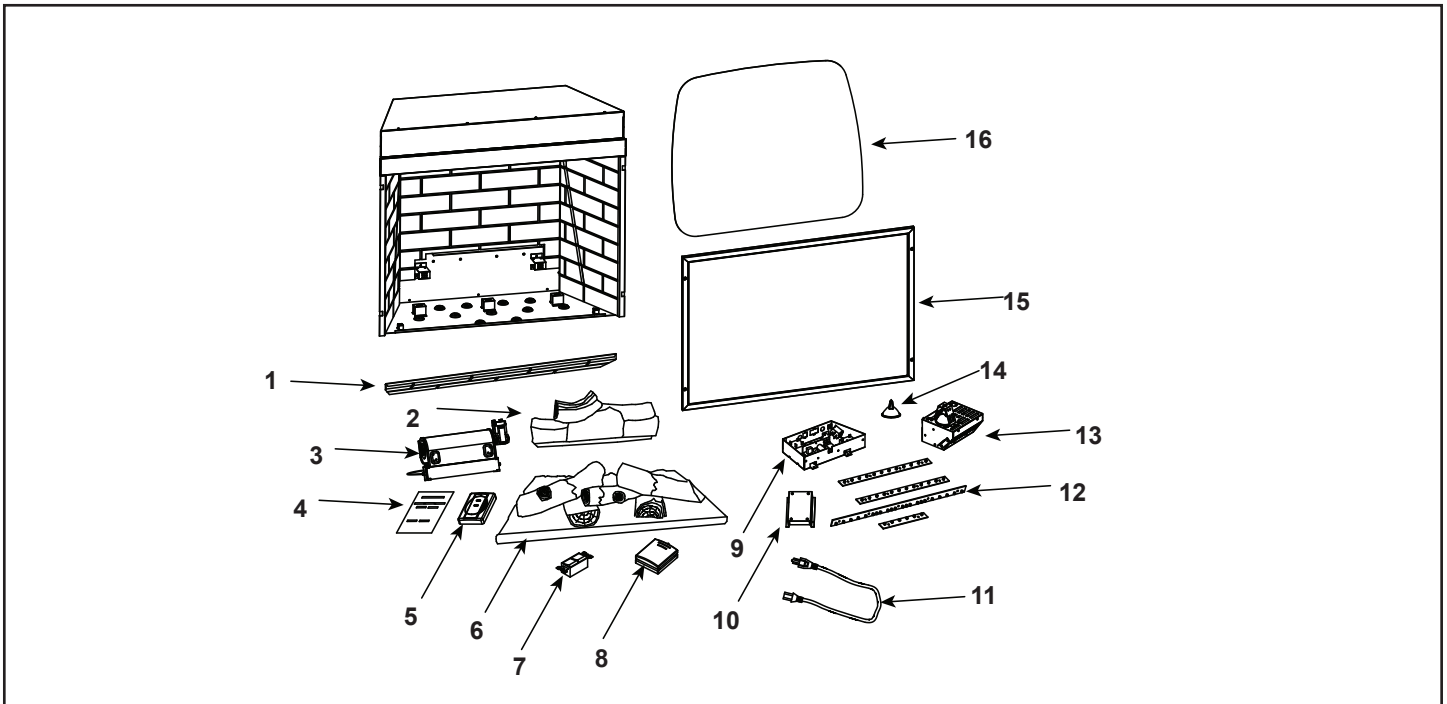


**IMPORTANT: THIS IS DATED INFORMATION.** Parts must be ordered from a dealer or distributor. **Hearth and Home Technologies does not sell directly to consumers.** Provide model number and serial number when requesting service parts from your dealer or distributor.



**Stocked at Depot**

ITEM	DESCRIPTION	COMMENTS	PART NUMBER	Stocked at Depot
1	Heater/Control Board Assembly	Control Board, Heater & Fan Included	HEATER-BI36-B	Y
2	Rotisserie Motor, Rod & 3 Screws		ROTISS-BI36-EB	Y
3	LED Strips, 3 Strips		LED-BI36-B	Y
4	Log/Grate Assembly		LOGS-BI36-B	Y
5	Refractory Kit		REFRACT-BI36-B	Y
6	Flame Screen		FLAME-BI36-B	Y
7	Front		FRONT-BI36-EB	Y
8	Glass		GLA-BI36	Y
9	Remote		REMOTE-ELECT-B	Y
10	Hardwire Junction Block Replacement (120V/240V Compatible)	Pre 12/23 Only	SF-JBLOCK-BI	Y
	Glass Channel (Includes 2 Screw)		GLA-CHA-BI36	Y
	Stand-off, Base	Set of 2	STANDOFF-ELEC-B	Y
	Hardware Bag Includes: Mounting Brackets, Screw (ST4 x 8), Screws (ST4 x 12)		HRDW-BI	Y
	Remote Receiver		RECEIVER-ELECT	Y
	Installation Manual		2040-980	
		Pre 12/23	PLUGIN-ELECT-B	Y



IMPORTANT: THIS IS DATED INFORMATION. Parts must be ordered from a dealer or distributor. **Hearth and Home Technologies does not sell directly to consumers.** Provide model number and serial number when requesting service parts from your dealer or distributor.

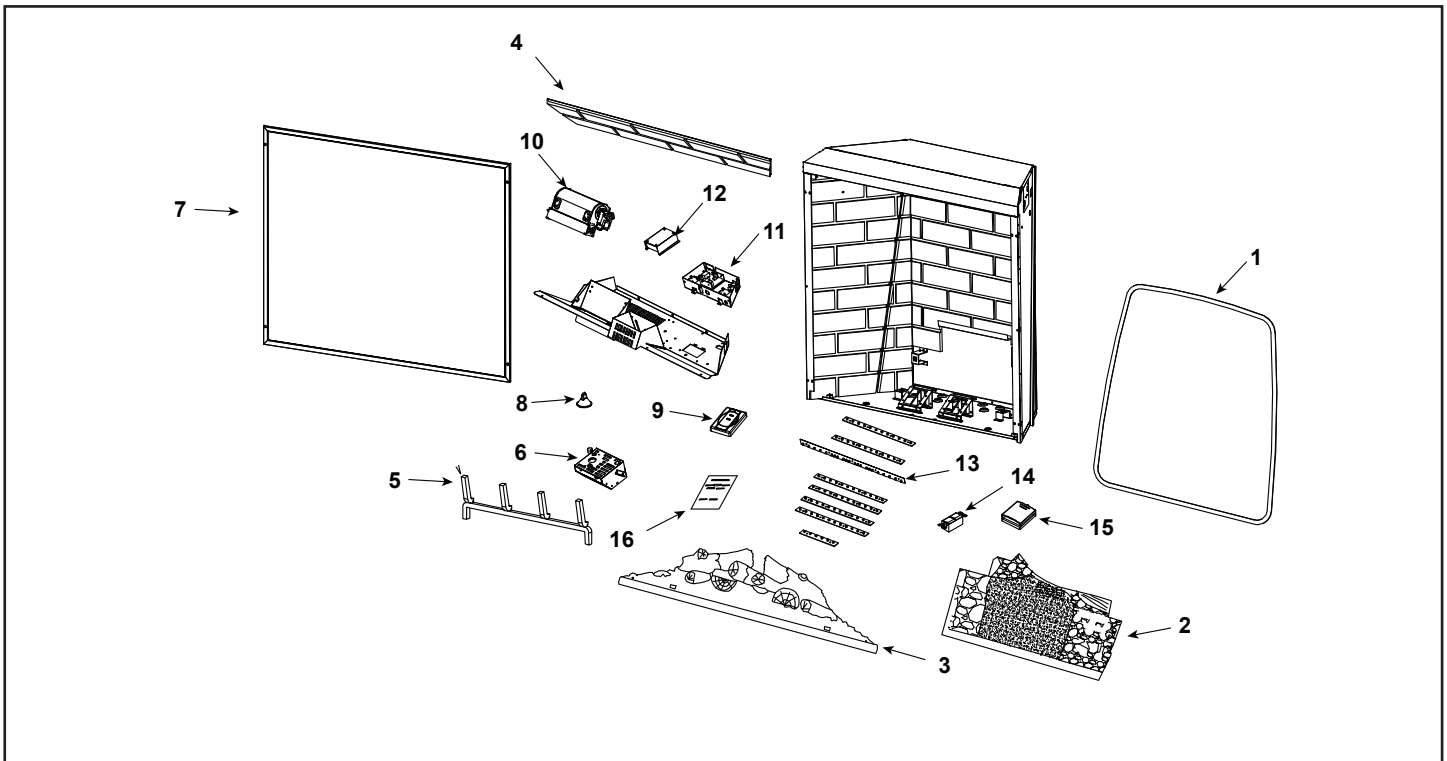


Stocked  
at Depot

ITEM	DESCRIPTION	COMMENTS	PART NUMBER	
1	Smoke Shield	No longer available	4050-301	
2	Back Log	No longer available	4050-302	
3	120V Heater Assembly	No longer available	4050-304	
4	SFE-26 Installation Manual		4050-308	
	SFE-26C Installation Manual		4050-311	
5	Remote Transmitter	No longer available	4050-105	
6	Front Log Set/ Embedded Assembly	No longer available	4050-300	
7	Optional Wall switch		***	
8	Optional Wall Thermostat		*****	
9	Power Assembly	No longer available	4050-305	
10	Remote Receiver	No longer available	4050-108	
11	Power Cord	No longer available	4050-148	
12	LED Assembly	No longer available	4050-306	
13	Projector Assembly	No longer available	4050-312	
14	Bulb	No longer available	4050-123	
15	Front Screen Assembly	No longer available	4050-307	
16	Viewing Screen	No longer available	4050-303	
	Hardwire Power Assembly (SFE-26 only)	No longer available	4050-005	
	Screw, 10-24 x Phillips Pan Head	Pkg of 24	419-802/24	Y

\*\*\*To be supplied by the customer ( Leviton 5634 series ) Refer to page 4 in the Installation manual

\*\*\*\*\*To be supplied by the customer ( Columbus Electric RK120EAA or equal ) Refer to page 4 in the Installation manual



IMPORTANT: THIS IS DATED INFORMATION. Parts must be ordered from a dealer or distributor. **Hearth and Home Technologies does not sell directly to consumers.** Provide model number and serial number when requesting service parts from your dealer or distributor.



Stocked  
at Depot

ITEM	DESCRIPTION	COMMENTS	PART NUMBER	
1	Viewing Screen	No longer available	4050-144	
2	Back Log	No longer available	4050-177	
3	Front Log Set/ Ember Bed Assembly	No longer available	4050-178	
4	Smoke Shield	No longer available	4050-176	
5	Grate	No longer available	4050-141	
6	Projector Assembly	No longer available	4050-002	
7	Front Screen Assembly	No longer available	4050-008	
8	Bulb	No longer available	4050-123	
9	Remote Transmitter	No longer available	4050-105	
10	120V Heater Assembly	No longer available	4050-104	
11	Power Assembly	No longer available	4050-001	
12	Remote Receiver	No longer available	4050-108	
13	LED Assembly	No longer available	4050-013	
14	Optional IWall Switch		***	
15	Optional Wall Thermostat		****	
16	Installation Manual (SFE-35)		4050-313	
	Installation Manual (SFE-35C)		4050-314	

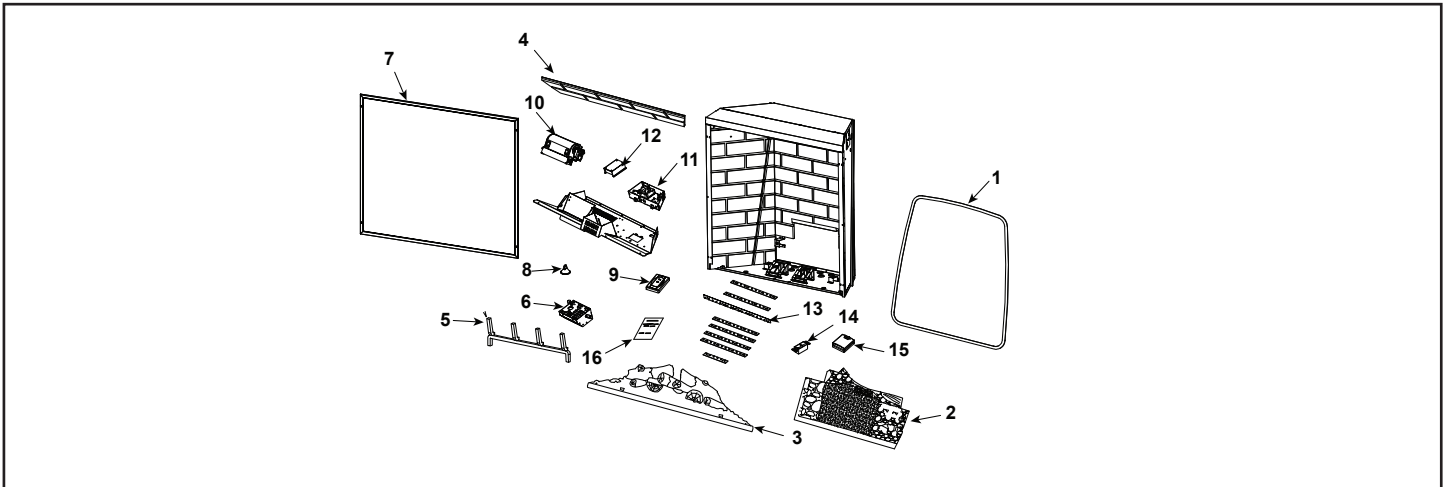
\*\*\*To be supplied by the customer (Leviton 5634 series ) Refer to page 4 of Installation manual

\*\*\*\*To be supplied by the customer (Columbus Electric RK120EAA or equal ) Refer to page 4 fo Installation manual

Additional service parts on following page.







IMPORTANT: THIS IS DATED INFORMATION. When requesting service or replacement parts for your appliance please provide model number and serial number. All parts listed in this manual may be ordered from an authorized dealer.

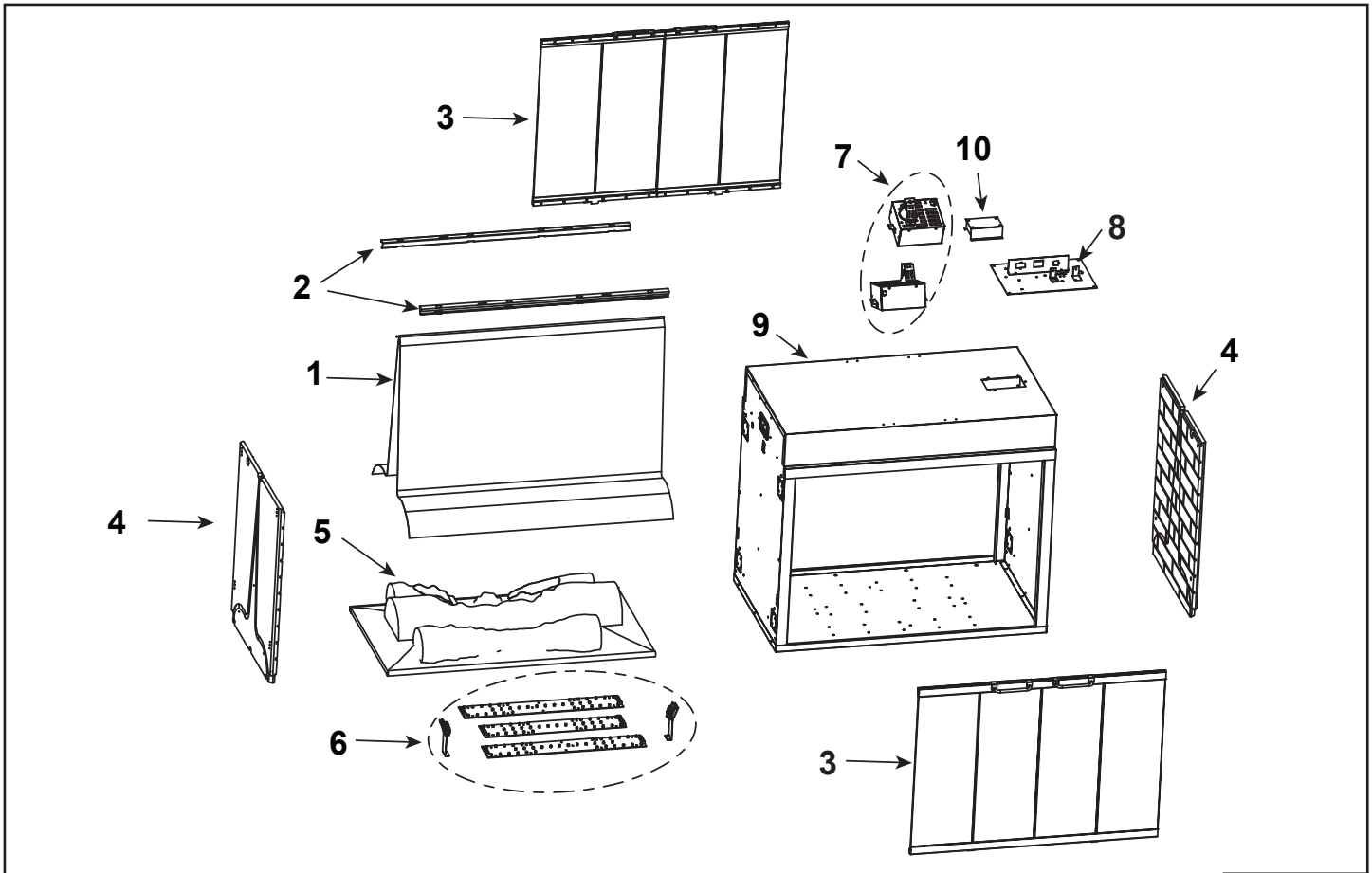


Stocked at Depot

ITEM	DESCRIPTION	COMMENTS	PART NUMBER	
1	Viewing Screen	No longer available	4050-144	
2	Back Log	No longer available	4050-177	
3	Front Log Set/ Ember Bed Assembly	No longer available	4050-300	
4	Smoke Shield	No longer available	4050-176	
5	Grate	No longer available	4050-141	
6	Projector Assembly	No longer available	4050-002	
7	Front Screen Assembly	No longer available	4050-008	
8	Bulb	No longer available	4050-123	
9	Remote Transmitter	No longer available	4050-105	
10	120V Heater Assembly	No longer available	4050-104	
11	Power Assembly	No longer available	4050-001	
12	Remote Receiver	No longer available	4050-108	
13	LED Assembly	No longer available	4050-013	
14	Optional IWall Switch		***	
15	Optional Wall Thermostat		*****	
16	Installation Manual (SFE-CDLB-3530-PP)		4050-317	
	Power Cord	No longer available	4050-148	
	Top Pan	No longer available	4050-050	
	Right Refractory	No longer available	4050-171	
	Left Refractory	No longer available	4050-172	
	Right Rear Refractory	No longer available	4050-173	
	Left Rear Refractory	No longer available	4050-174	
	Sheet Rock Ledge	No longer available	4050-211	
	Back Refractory	No longer available	4050-175	
	Hardwire Power Cord (SFE-35 only)		4050-005	Y

\*\*\*To be supplied by the customer ( Leviton 5634 series ) Refer to page 4 of Installation manual

\*\*\*\*\*To be supplied by the customer (Columbus Electric RK120EAA or equal ) Refer to page 4 of Installation manual

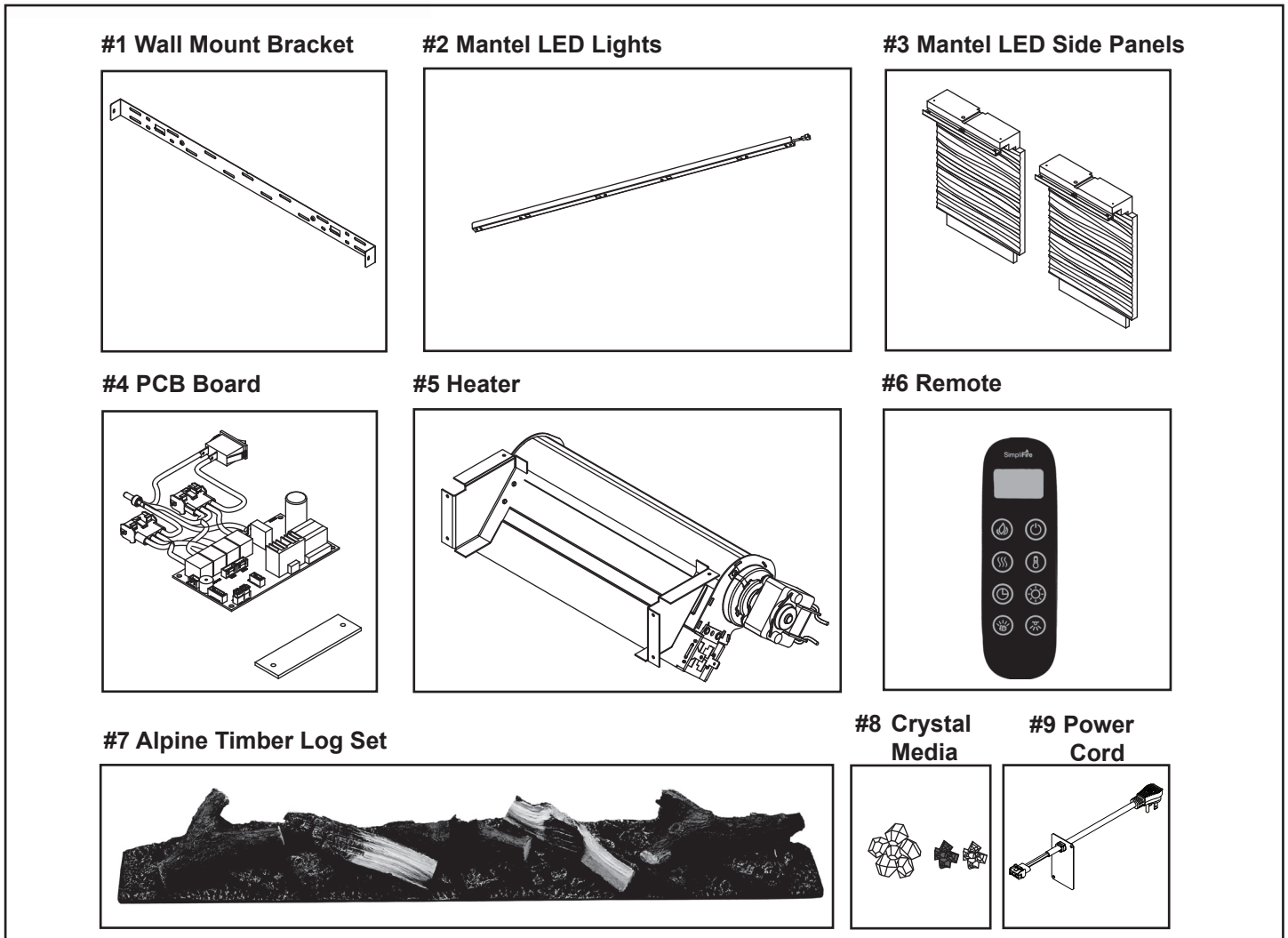


IMPORTANT: THIS IS DATED INFORMATION. Parts must be ordered from a dealer or distributor. **Hearth and Home Technologies does not sell directly to consumers.** Provide model number and serial number when requesting service parts from your dealer or distributor.



Stocked at Depot

ITEM	DESCRIPTION	COMMENTS	PART NUMBER	
1	Viewing Screen	No longer available	4050-500	
2	View Screen Retainer	No longer available	4050-501	
3	Glass Door (each side)	No longer available	4050-502	
4	Refractory (each side)	No longer available	4050-503	
5	Fuel Bed	No longer available	4050-504	
6	Embers LED Assembly	No longer available	4050-505	
7	Projector Assembly	No longer available	4050-506	
8	Power Supply Assembly	No longer available	4050-507	
9	3 Watt LED Bulb	No longer available	4050-508	
10	Receiver	No longer available	4050-108	
	Decorative Front	No longer available	DF-26MOD-BK	
	Power cord	No longer available	4050-148	
	Transmitter	No longer available	4050-105	
	Wall Switch	No longer available	WSK-21	
	Installation Manual		4050-510	

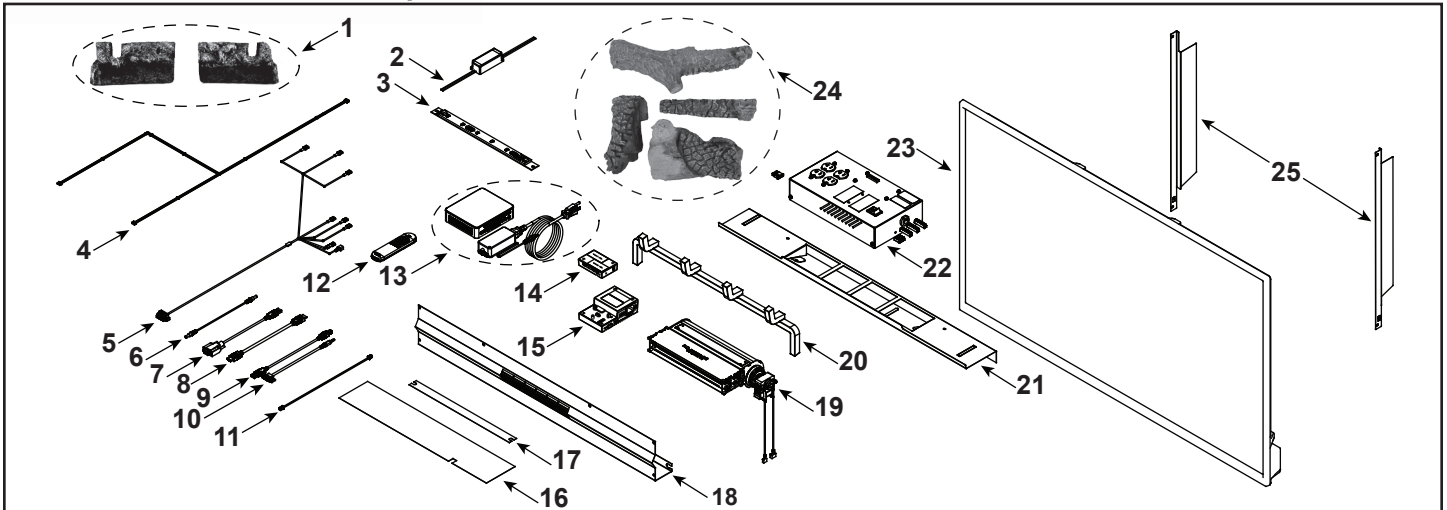


**IMPORTANT: THIS IS DATED INFORMATION.** Parts must be ordered from a dealer or distributor. **Hearth and Home Technologies does not sell directly to consumers.** Provide model number and serial number when requesting service parts from your dealer or distributor.



**Stocked at Depot**

ITEM	DESCRIPTION	COMMENTS	PART NUMBER	
1	Wall Mount Bracket		BRACKET-FMT36	Y
2	Mantel Accent LED Lights	For SF-FM43-WH	LED-FM43	Y
3	Mantel Side Panels w/Accent LEDs	For SF-FM50-WH	LED-FM50-WH	Y
		For SF-FM60-WH	LED-FM60-WH	Y
4	PCB Board		PCB-FMT	Y
5	Heater Assembly		HEATER-FMT	Y
6	Remote		REMOTE-AC	Y
7	Alpine Timber Log Set	One-piece	LOGS-FMT36	Y
8	Crystal Media (clear small, clear large, & black small)		CRYSTAL-SCION	
9	Power Cord	Pre 12/23	PLUGIN-ALLP	Y
		Post 12/23	SF-PLUGIN	Y
	Format Hardware Kit (appliance & mantel)		HDWR-FORMAT	

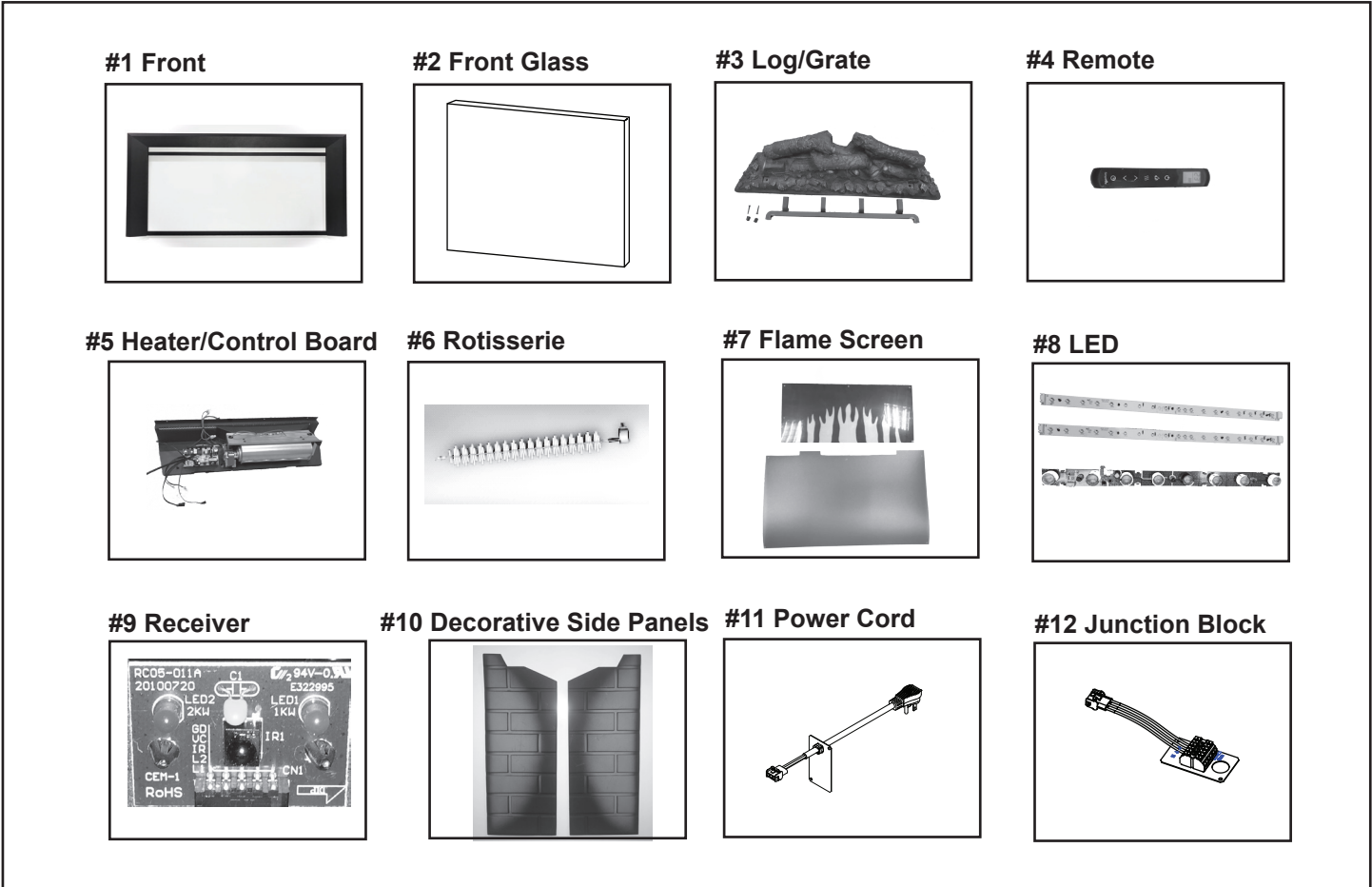


IMPORTANT: THIS IS DATED INFORMATION. Parts must be ordered from a dealer or distributor. **Hearth and Home Technologies does not sell directly to consumers.** Provide model number and serial number when requesting service parts from your dealer or distributor.



**Stocked at Depot**

ITEM	DESCRIPTION	COMMENTS	PART NUMBER	
1	Refractory, Left & Right		SRV4200-024	Y
	Media, Teco-Sil		SRV4200-220	
2	Moons Power Supply		SRV2326-174	Y
3	Assembly, LED Board & Strip		SRV2300-062	Y
4	Harness, Light Bar		SRV4200-215	Y
5	Harness, Heater 5-pin		SRV4200-207	Y
6	DC Plug, Male to Male (BECM to Computer Cable)		SRV4200-197	Y
7	USB to RS-232 Male (Computer to Display Cable)		SRV4200-196	Y
8	4K HDMI Cable (Computer to Display Cable)		SRV4200-194	Y
9	USB A to B Cable (Computer to BECM Cable)		SRV4200-193	Y
10	TV Jumper (Display to RS-232 Computer Cable)		SRV4200-191	Y
11	Door Buttons, Jumper		SRV4200-183	Y
12	Remote		SRV4200-174	Y
13	Simply NUC Computer		SRV4200-176	Y
14	Basic ECM Assembly		SRV4200-175	Y
15	US-ACM Module		SRV2564-150	Y
16	Kapton, Bottom Light		SRV4200-130	
17	Filter, Top Light		SRV4200-131	
18	Blower Cover Assembly		SRV4200-010	Y
19	Heater/Blower		SRV4200-171	Y
20	Grate		SRV4200-169	
21	Ember Tray		SRV4200-120	
22	Junction Box Assembly		SRV4200-015	Y
23	Digital Display		SRV4200-172	Y
24	Log Set		SRV4200-070	Y
25	Side Panels, Left & Right		SRV4200-106	

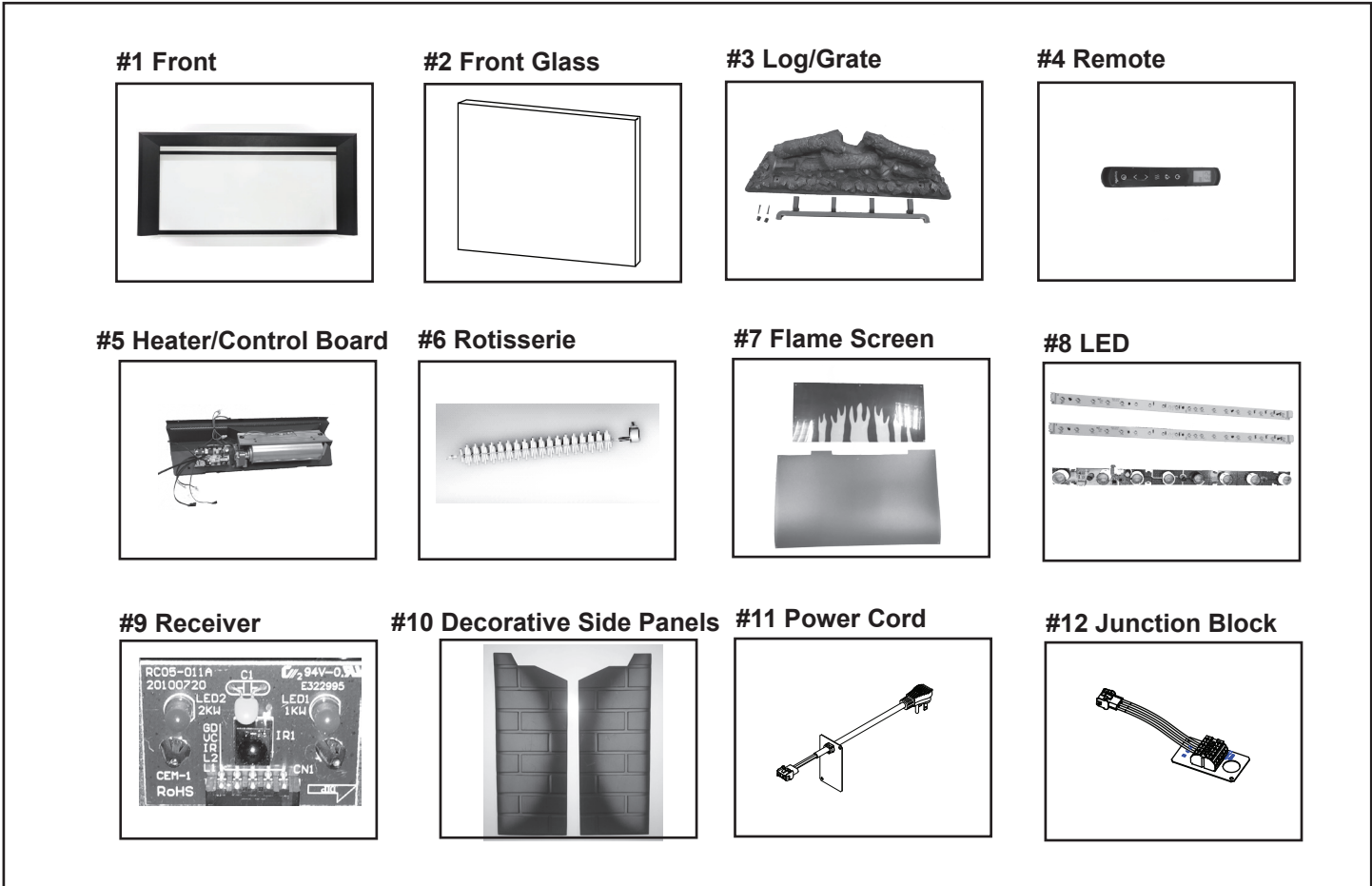


IMPORTANT: THIS IS DATED INFORMATION. Parts must be ordered from a dealer or distributor. **Hearth and Home Technologies does not sell directly to consumers.** Provide model number and serial number when requesting service parts from your dealer or distributor.



**Stocked at Depot**

ITEM	DESCRIPTION	COMMENTS	PART NUMBER	
1	Front		STFRONT-INS25	
2	Front Glass		GLAS-INS25	Y
3	Log/Grate Assembly		LOG-INS25	Y
4	Remote		REMOTE-INS30	Y
5	Heater/Control Board Assembly	Control Board, Heater & Fan Included	HEAT-INS25	Y
6	Rotisserie (Rod, Motor, & Screws)		ROTISS-INS25	Y
7	Flame Screen		FLAM-INS25	
8	LED Assembly	Includes all LEDs	LED-INS25	Y
9	Receiver		RECEIVER-ELECT	Y
	Hardware Bag (Includes 2 leveling legs w/fasteners)		HRDW-BI	Y
10	Decorative Side Panels (Includes left & right)		PANEL-INS25	Y
11	Power Cord		SF-PLUGIN	Y
12	Hardwire Junction Block Replacement		SF-JBLOCK	Y

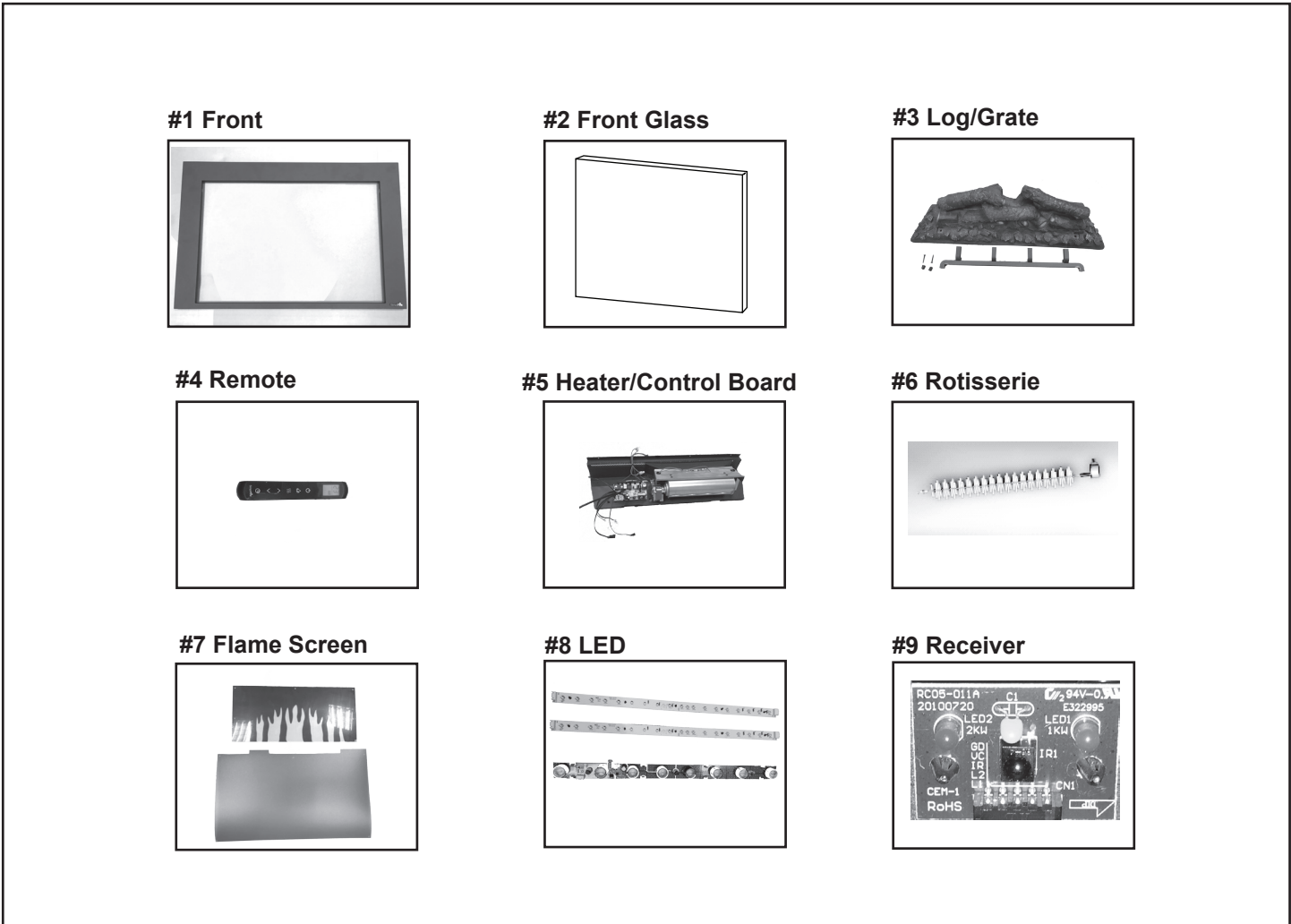


**IMPORTANT: THIS IS DATED INFORMATION.** Parts must be ordered from a dealer or distributor. **Hearth and Home Technologies does not sell directly to consumers.** Provide model number and serial number when requesting service parts from your dealer or distributor.



**Stocked at Depot**

ITEM	DESCRIPTION	COMMENTS	PART NUMBER	
1	Front		STFRONT-INS30	
2	Front Glass		GLAS-INS30	Y
3	Log/Grate Assembly		LOG-INS30	Y
4	Remote		REMOTE-INS30	Y
5	Heater/Control Board Assembly	Control Board, Heater & Fan Included	HEAT-INS30	Y
6	Rotisserie (Rod, Motor, & Screws)		ROTISS-INS30	Y
7	Flame Screen		FLAM-INS30	
8	LED Assembly	Includes all LEDs	LED-INS30	Y
9	Receiver		RECEIVER-ELECT	Y
	Hardware Bag (Includes 2 leveling legs w/fasteners)		HRDW-BI	Y
10	Decorative Side Panels (Includes left & right)		PANEL-INS30	
11	Power Cord		SF-PLUGIN	Y
12	Hardwire Junction Block Replacement		SF-JBLOCK	Y



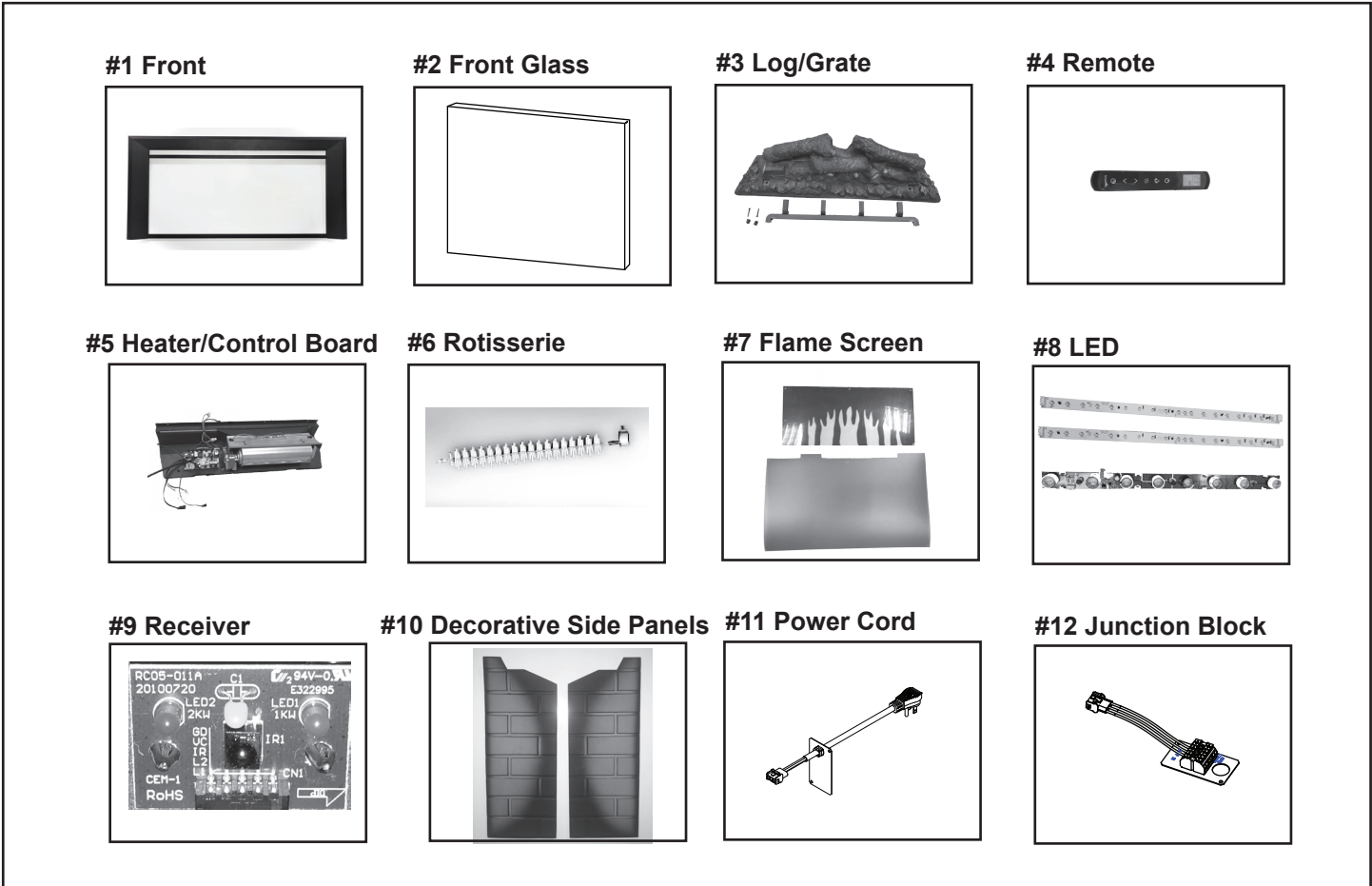
IMPORTANT: THIS IS DATED INFORMATION. Parts must be ordered from a dealer or distributor. **Hearth and Home Technologies does not sell directly to consumers.** Provide model number and serial number when requesting service parts from your dealer or distributor.



Stocked at Depot

ITEM	DESCRIPTION	COMMENTS	PART NUMBER	
1	Front		FRONT-INS30	
2	Front Glass		GLA-INS30	Y
3	Log/Grate Assembly		LOGS-INS30	Y
4	Remote		REMOTE-INS30	Y
5	Heater/Control Board Assembly	Control Board, Heater & Fan Included	HEATER-INS30	Y
6	Rotisserie (Rod, Motor, & Screws)		ROTISS-INS30	Y
7	Flame Screen		FLAME-INS30	
8	LED Assembly	Includes all LEDs	LED-INS30	Y
9	Receiver		RECEIVER-ELECT	Y
	Surround 40" x 27"		SF-SI4027-BK	
	Hardware Bag (Includes 2 leveling legs w/fasteners)		HRDW-BI	Y



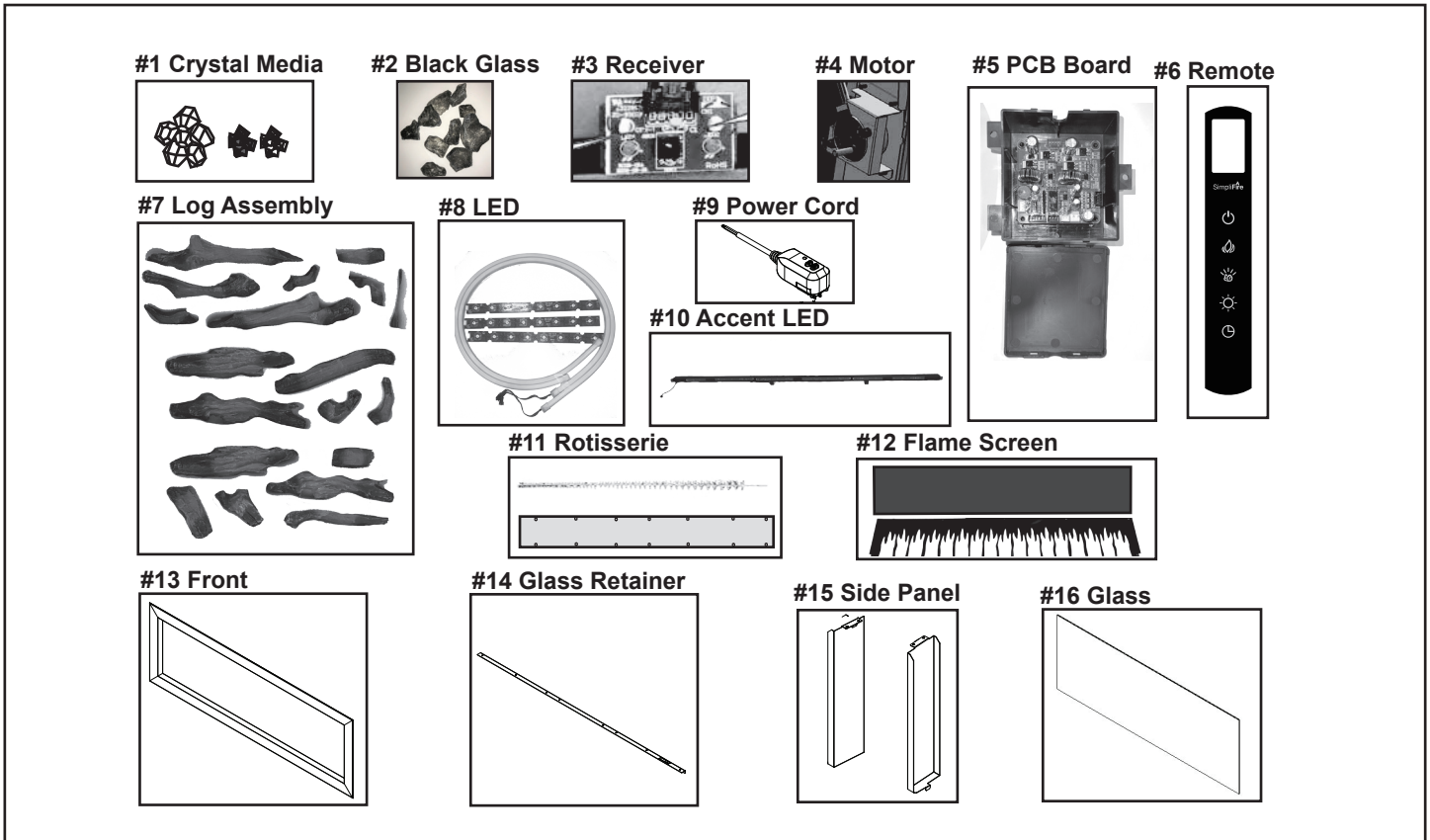


IMPORTANT: THIS IS DATED INFORMATION. Parts must be ordered from a dealer or distributor. **Hearth and Home Technologies does not sell directly to consumers.** Provide model number and serial number when requesting service parts from your dealer or distributor.



Stocked at Depot

ITEM	DESCRIPTION	COMMENTS	PART NUMBER	
1	Front		STFRONT-INS35	
2	Front Glass		GLAS-INS35	Y
3	Log/Grate Assembly		LOG-INS35	Y
4	Remote		REMOTE-INS30	Y
5	Heater/Control Board Assembly	Control Board, Heater & Fan Included	HEAT-INS35	Y
6	Rotisserie (Rod, Motor, & Screws)		ROTISS-INS35	Y
7	Flame Screen		FLAM-INS35	
8	LED Assembly	Includes all LEDs	LED-INS35	Y
9	Receiver		RECEIVER-ELECT	Y
	Hardware Bag (Includes 2 leveling legs w/fasteners)		HRDW-BI	Y
10	Decorative Side Panels (Includes left & right)		PANEL-INS35	
11	Power Cord		SF-PLUGIN	Y
12	Hardwire Junction Block Replacement		SF-JBLOCK	Y

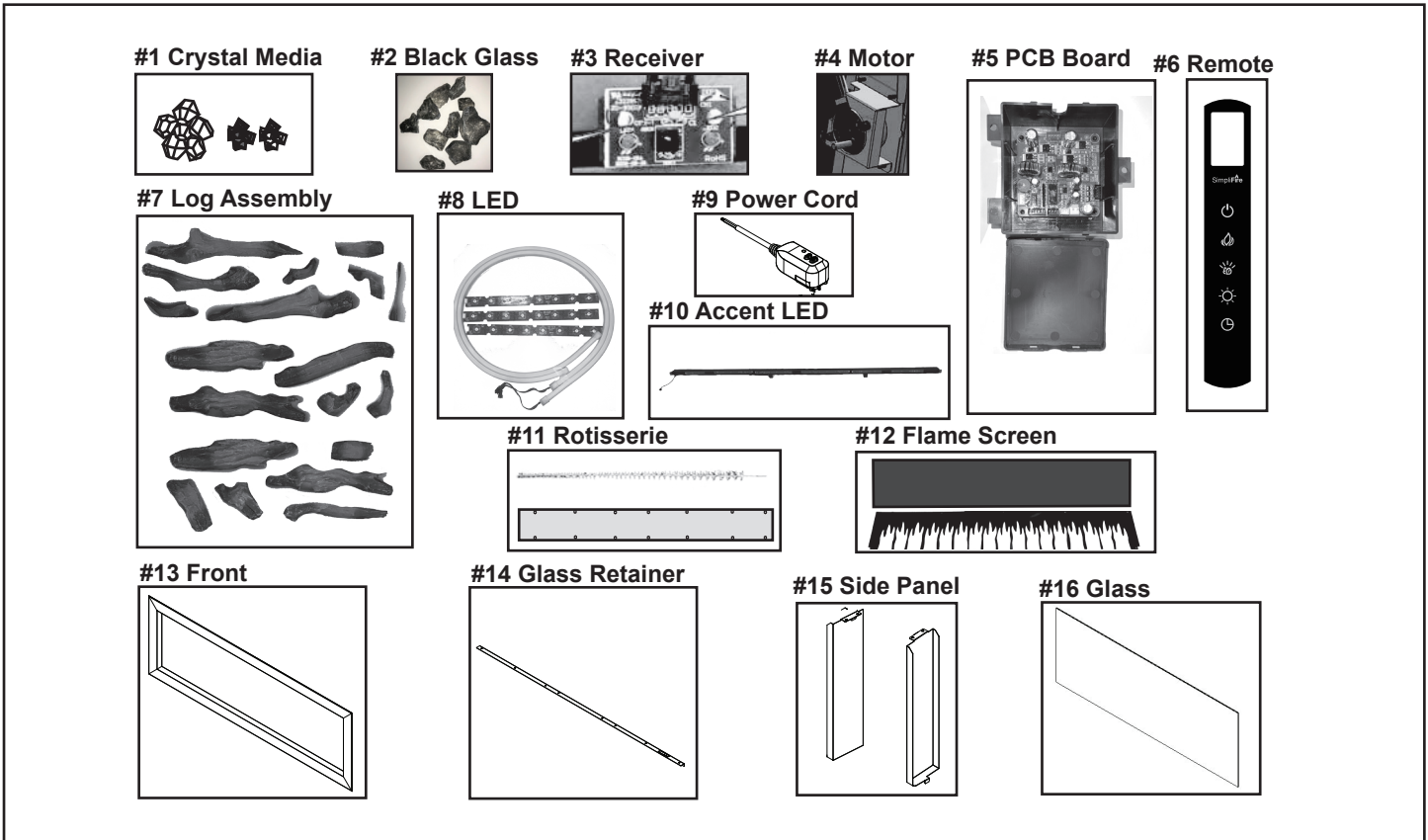


**IMPORTANT: THIS IS DATED INFORMATION.** Parts must be ordered from a dealer or distributor. **Hearth and Home Technologies does not sell directly to consumers.** Provide model number and serial number when requesting service parts from your dealer or distributor.



**Stocked at Depot**

ITEM	DESCRIPTION	COMMENTS	PART NUMBER	Stocked at Depot
1	SFE Forum Crystal Media (large and small clear crystals)		CRYSTAL-OD	
2	Black Glass Embers		EMBER-SCION	
3	SF-OD Remote Reciver		RECEIV-OD	Y
4	Forum Outdoor Motor		MOTOR-OD	Y
5	PCB Board Assembly	Main & Button	PCB-OD	Y
6	Forum Outdoor Electric Remote		REMOTE-OD	Y
7	SFE Forum OD Log Set		LOGS-OD	Y
8	Forum OD LED Assembly		LED-OD43	Y
9	Power Cord, Forum OD		PLUGIN-OD	Y
10	Forum OD Accent		ACCENT-OD43	Y
11	Forum OD Rotisserie		ROTISS-OD43	
12	Flame Screen Forum OD		FLAME-OD43	
13	Front for Forum OD		FRONT-OD43	
14	Glass Bracket, Forum OD		GLABRKT-OD43	
15	Forum Outdoor Panels	Pkg of 2	PANELS-OD	
16	Forum OD Glass Front		GLA-OD43	Y
	Forum Outdoor Hardware Pack		HDWR-OD	

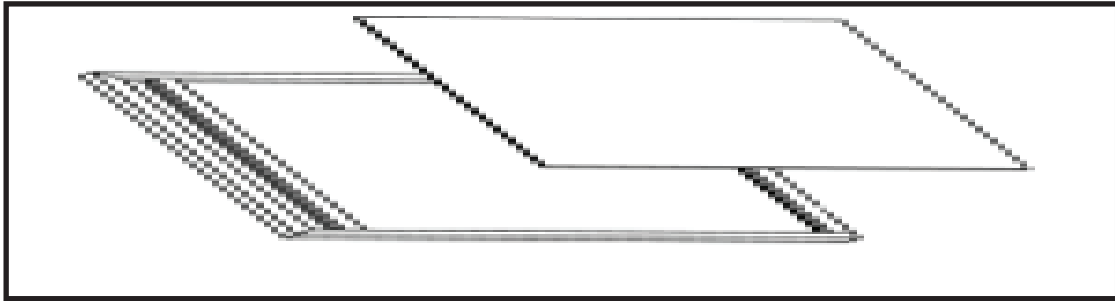


**IMPORTANT: THIS IS DATED INFORMATION.** Parts must be ordered from a dealer or distributor. **Hearth and Home Technologies does not sell directly to consumers.** Provide model number and serial number when requesting service parts from your dealer or distributor.

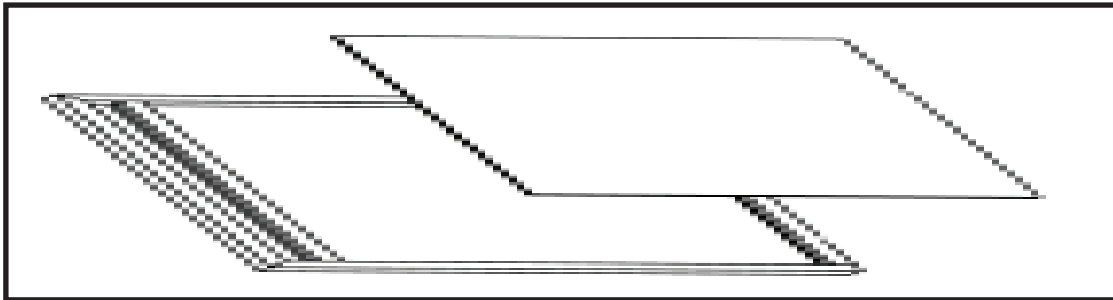


**Stocked at Depot**

ITEM	DESCRIPTION	COMMENTS	PART NUMBER	Stocked at Depot
1	SFE Forum Crystal Media (large and small clear crystals)		CRYSTAL-OD	
2	Black Glass Embers		EMBER-SCION	
3	SF-OD Remote Reciver		RECEIV-OD	Y
4	Forum Outdoor Motor		MOTOR-OD	Y
5	PCB Board Assembly	Main & Button	PCB-OD	Y
6	Forum Outdoor Electric Remote		REMOTE-OD	Y
7	SFE Forum OD Log Set		LOGS-OD	Y
8	Forum OD LED Assembly		LED-OD55	Y
9	Power Cord, Forum OD		PLUGIN-OD	Y
10	Forum OD Accent		ACCENT-OD55	Y
11	Forum OD Rotisserie		ROTISS-OD55	
12	Flame Screen Forum OD		FLAME-OD55	
13	Front for Forum OD		FRONT-OD55	
14	Glass Bracket, Forum OD		GLABRKT-OD55	
15	Forum Outdoor Panels	Pkg of 2	PANELS-OD	
16	Forum OD Glass Front		GLA-OD55	Y
	Forum Outdoor Hardware Pack		HDWR-OD	



#1 26" Glass/Door Assembly



#2 23" Glass/Door Assembly



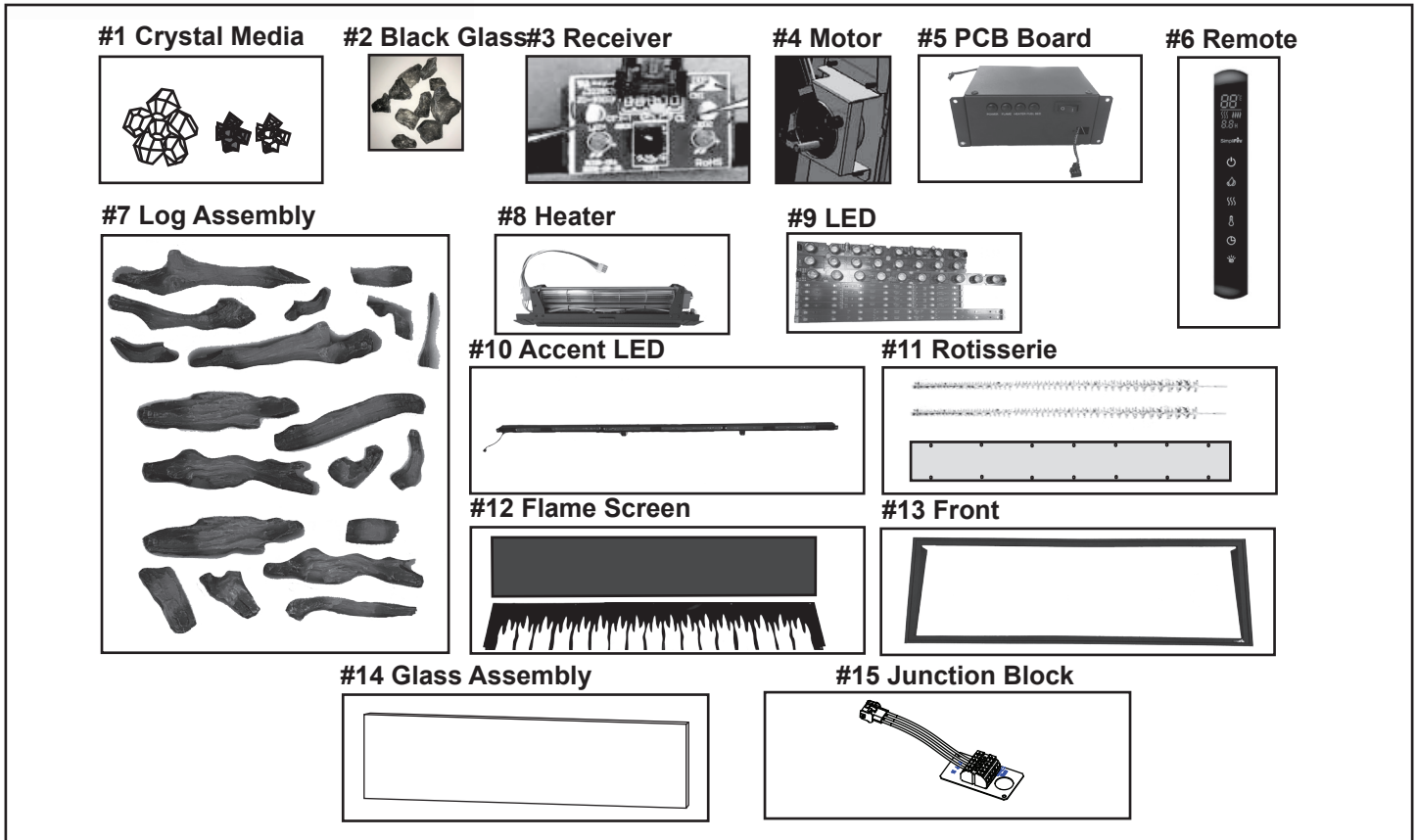
#3 Remote

IMPORTANT: THIS IS DATED INFORMATION. Parts must be ordered from a dealer or distributor. Provide model number and serial number when requesting service parts from your dealer or distributor.



Stocked at Depot

ITEM	DESCRIPTION	COMMENTS	PART NUMBER	
1	Glass/Door Frame. 26"	No Longer Available	GLA-PP26	
2	Glass Door Frame, 23"	No Longer Available	GLA-PP23	
3	Remote		REMOTE-SF-ELEC	Y
	Hardware Pack	No Longer Available	HRDW-PP	
	Contains mounting brackets and screws.			
	Installation Manual	No Longer Available	2040-901	

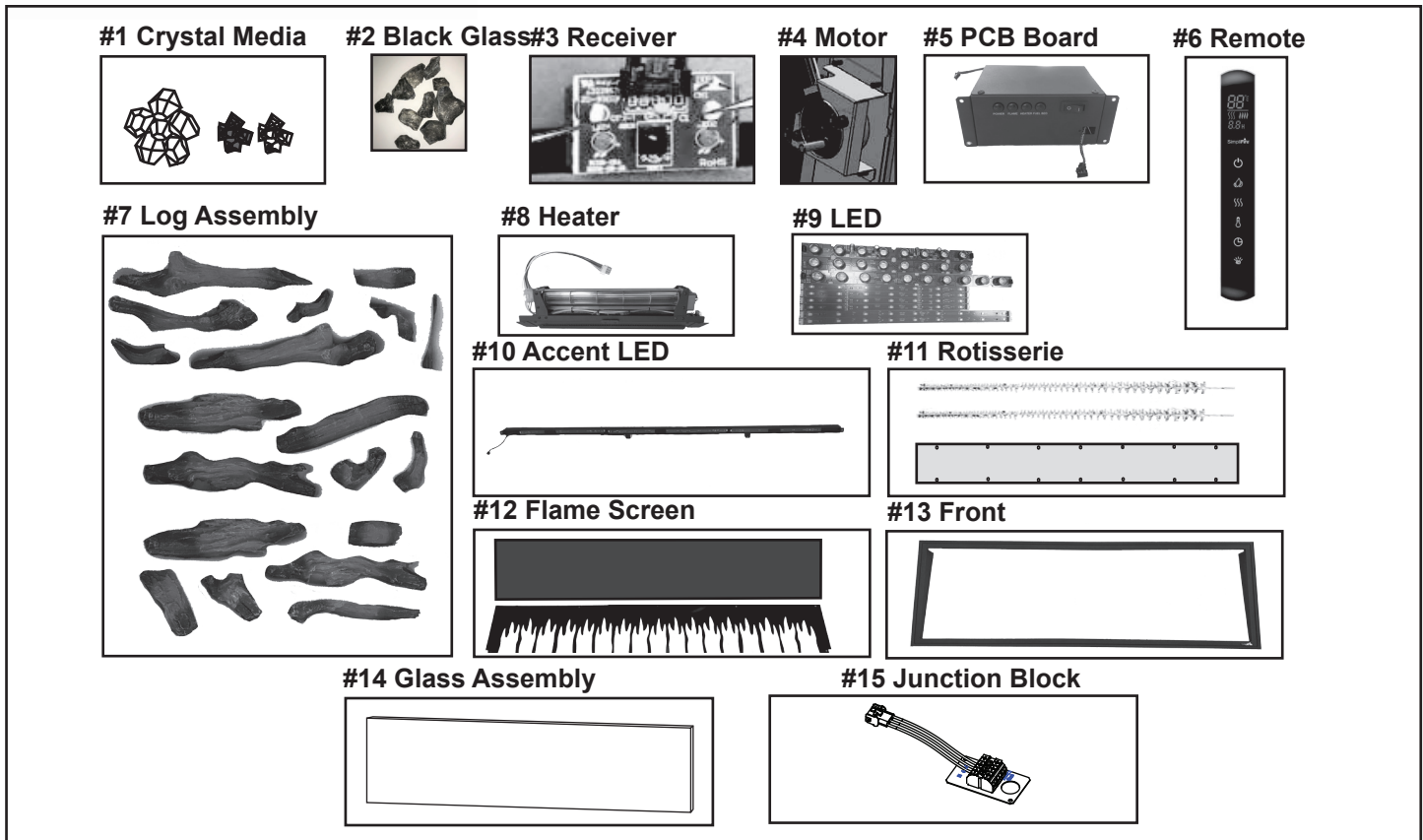


**IMPORTANT: THIS IS DATED INFORMATION.** Parts must be ordered from a dealer or distributor. **Hearth and Home Technologies does not sell directly to consumers.** Provide model number and serial number when requesting service parts from your dealer or distributor.



**Stocked at Depot**

ITEM	DESCRIPTION	COMMENTS	PART NUMBER	Stocked at Depot
1	Crystal Media (Clear Small, Clear Large, & Black Small)		CRYSTAL-SCION	Y
2	Black Glass Embers		EMBER-SCION	Y
3	Remote Receiver		RECEIV-ALLUS-E	Y
4	Allusion Motor		MOTOR-ALLUS	Y
5	PCB Board Assembly		PCB-SCION	Y
6	Remote		REMOT-ELECT-ALL	Y
7	Log Assembly		LOGS-SCION	Y
8	Heater Assembly	Heater & Fan	HEATER-SCION	Y
9	LED Assembly	Emberbed & Flame(Accent LED Not Included)	LED-SC43	Y
10	Accent LED		ACCENT-SC43	Y
11	Rotisserie	Rods & Cover	ROTISS-SC43	Y
12	Flame Screen		FLAME-SC43	Y
13	Front		FRONT-SC43	Y
14	Glass		GLA-SC43	Y
15	Hardwire Junction Block Replacement		SF-JBLOCK	Y
	Reflective Panels	Qty 2 req	PANELS-SCION	Y
	Electric Hardware Pack (Glass Retaining Brackets and Thumb Screws)		HDWR-LINEAR	Y

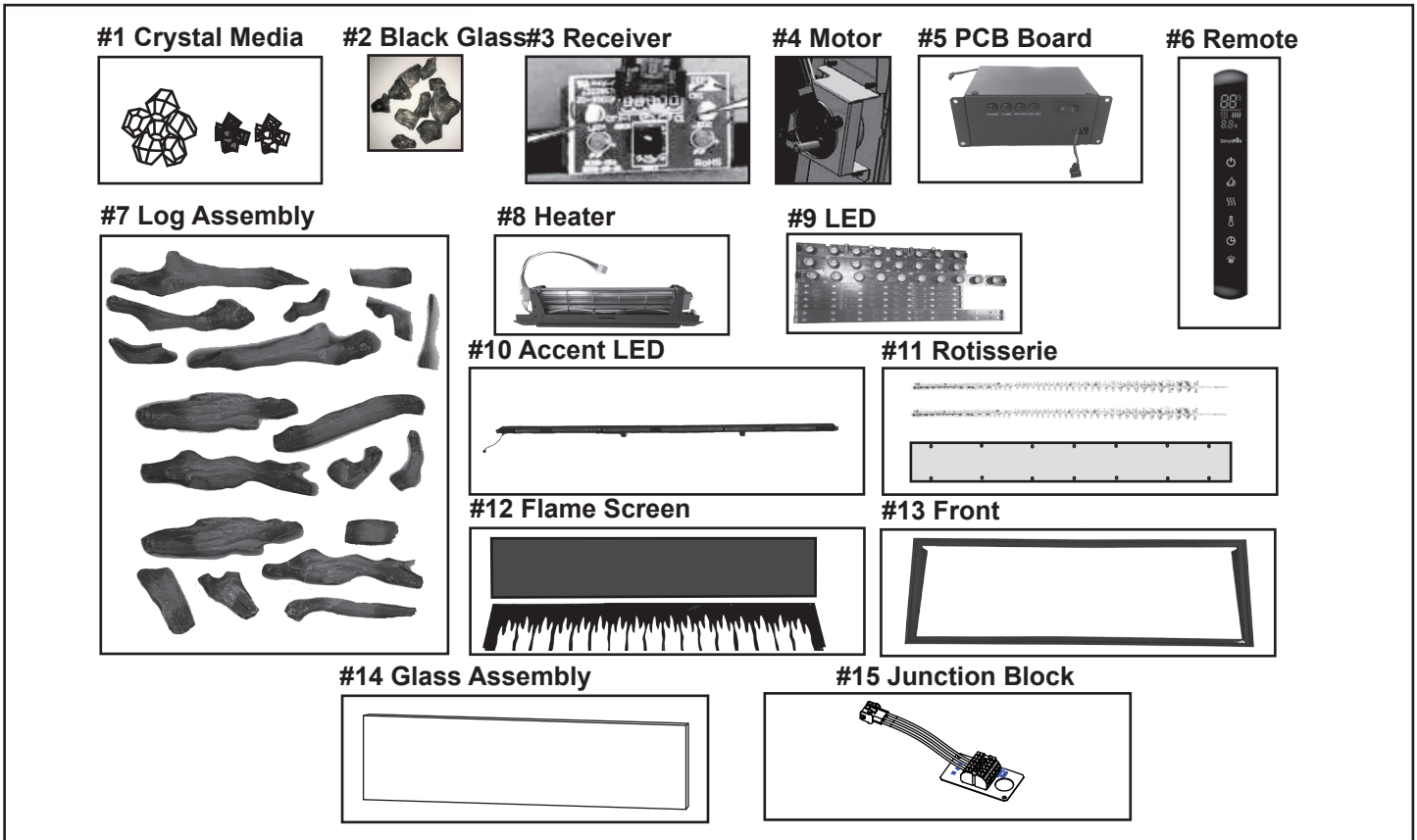


**IMPORTANT: THIS IS DATED INFORMATION.** Parts must be ordered from a dealer or distributor. **Hearth and Home Technologies does not sell directly to consumers.** Provide model number and serial number when requesting service parts from your dealer or distributor.



**Stocked at Depot**

ITEM	DESCRIPTION	COMMENTS	PART NUMBER	Stocked at Depot
1	Crystal Media (Clear Small, Clear Large, & Black Small)		CRYSTAL-SCION	Y
2	Black Glass Embers		EMBER-SCION	Y
3	Remote Receiver		RECEIV-ALLUS-E	Y
4	Allusion Motor		MOTOR-ALLUS	Y
5	PCB Board Assembly		PCB-SCION	Y
6	Remote		REMOT-ELECT-ALL	Y
7	Log Assembly		LOGS-SCION	Y
8	Heater Assembly	Heater & Fan	HEATER-SCION	Y
9	LED Assembly	Emberbed & Flame(Accent LED Not Included)	LED-SC55	Y
10	Accent LED		ACCENT-SC55	Y
11	Rotisserie	Rods & Cover	ROTISS-SC55	Y
12	Flame Screen		FLAME-SC55	Y
13	Front		FRONT-SC55	Y
14	Glass		GLA-SC55	Y
15	Hardwire Junction Block Replacement		SF-JBLOCK	Y
	Reflective Panels	Qty 2 req	PANELS-SCION	Y
	Electric Hardware Pack (Glass Retaining Brackets and Thumb Screws)		HDWR-LINEAR	Y

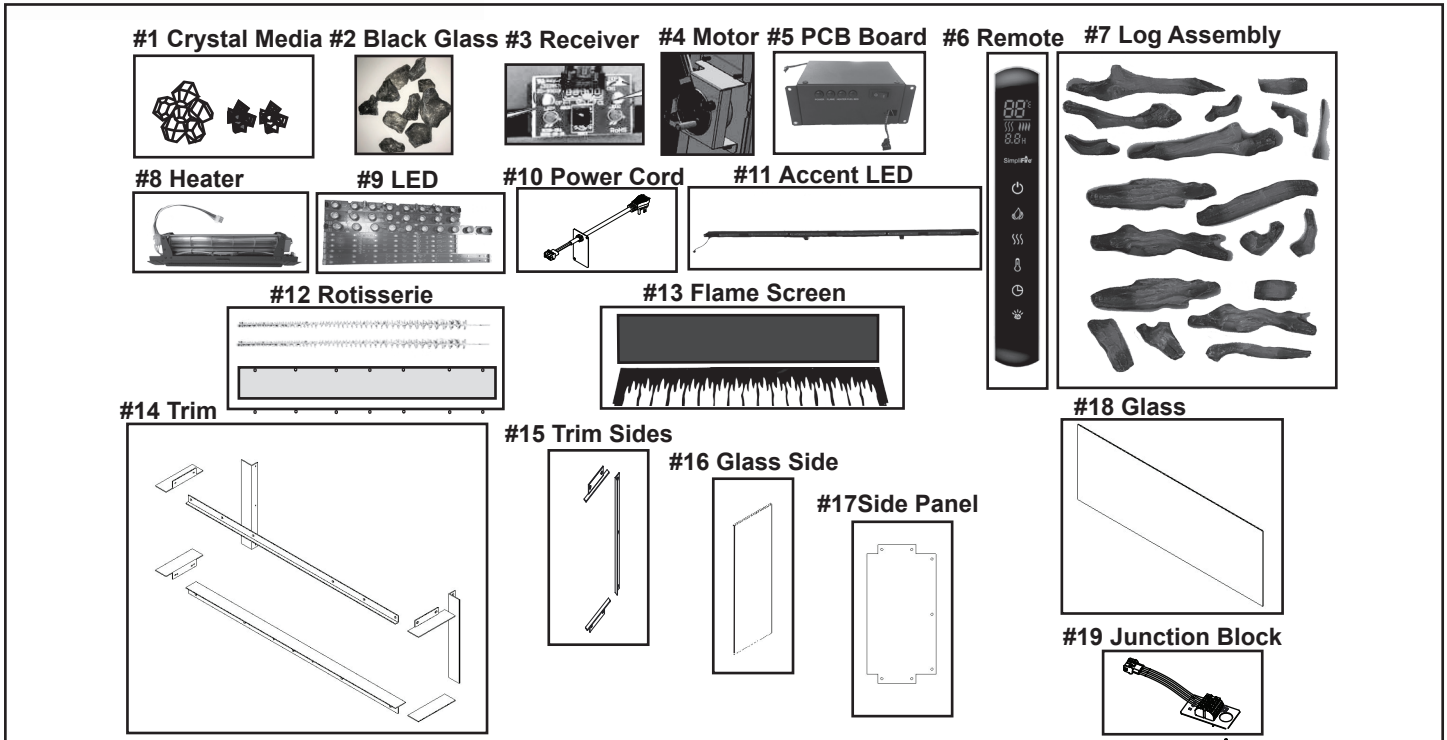


IMPORTANT: THIS IS DATED INFORMATION. Parts must be ordered from a dealer or distributor. **Hearth and Home Technologies does not sell directly to consumers.** Provide model number and serial number when requesting service parts from your dealer or distributor.



Stocked at Depot

ITEM	DESCRIPTION	COMMENTS	PART NUMBER	Stocked at Depot
1	Crystal Media (Clear Small, Clear Large, & Black Small)		CRYSTAL-SCION	Y
2	Black Glass Embers		EMBER-SCION	Y
3	Remote Receiver		RECEIV-ALLUS-E	Y
4	Allusion Motor		MOTOR-ALLUS	Y
5	PCB Board Assembly		PCB-SCION	Y
6	Remote		REMOT-ELECT-ALL	Y
7	Log Assembly		LOGS-SCION	Y
8	Heater Assembly	Heater & Fan	HEATER-SCION	Y
9	LED Assembly	Emberbed & Flame(Accent LED Not Included)	LED-SC78	Y
10	Accent LED		ACCENT-SC78	Y
11	Rotisserie	Rods & Cover	ROTISS-SC78	Y
12	Flame Screen		FLAME-SC78	Y
13	Front		FRONT-SC78	Y
14	Glass		GLA-SC78	Y
15	Hardwire Junction Block Replacement		SF-JBLOCK	Y
	Reflective Panels	Qty 2 req	PANELS-SCION	Y
	Electric Hardware Pack (Glass Retaining Brackets and Thumb Screws)		HDWR-LINEAR	Y



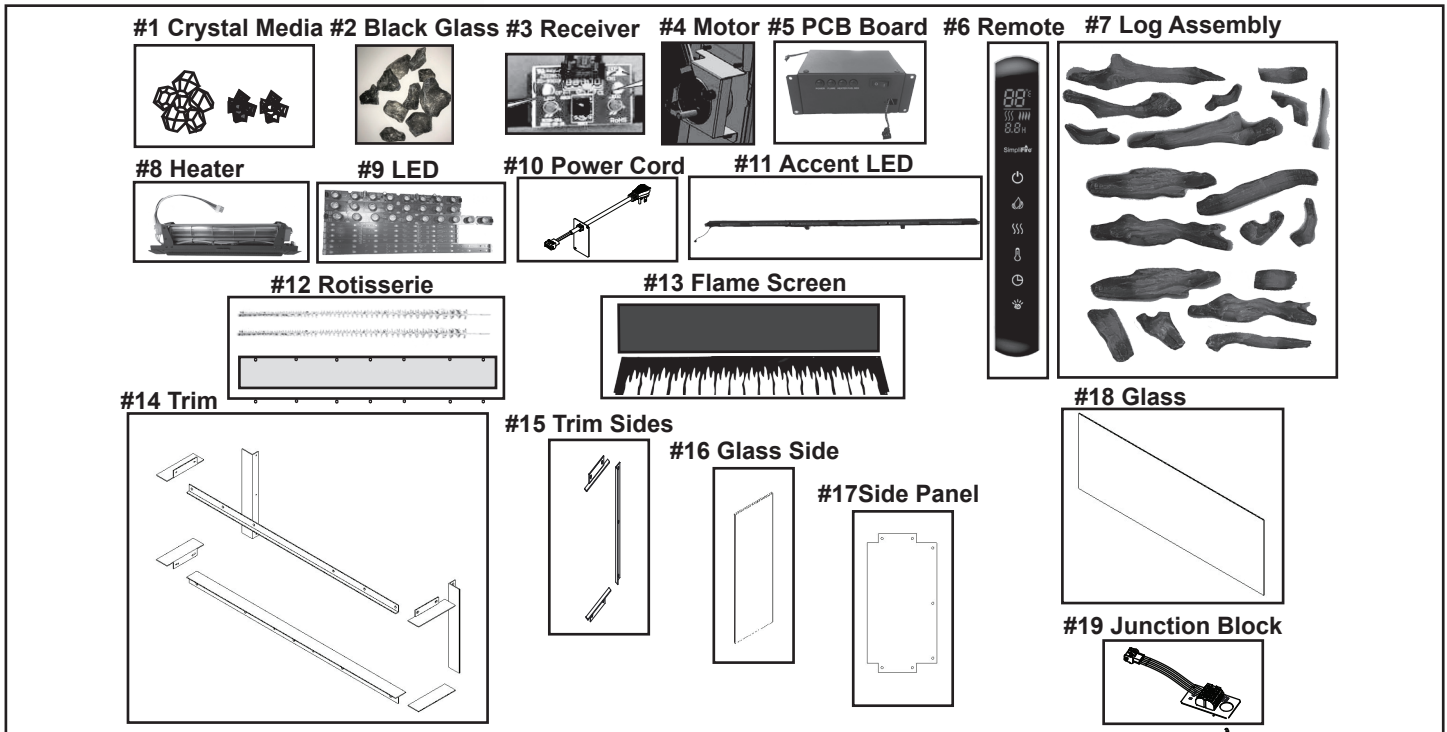
**IMPORTANT: THIS IS DATED INFORMATION.** Parts must be ordered from a dealer or distributor. **Hearth and Home Technologies does not sell directly to consumers.** Provide model number and serial number when requesting service parts from your dealer or distributor.



**Stocked at Depot**

ITEM	DESCRIPTION	COMMENTS	PART NUMBER	
1	Crystal Media (clear small, clear large, & black small)		CRYSTAL-SCION	Y
2	Black Glass Embers		EMBER-SCION	Y
3	Remote Receiver		RECEIV-ALLUS-E	Y
4	Allusion Motor	Qty 2 req	MOTOR-ALLUS	Y
5	PCB Board Assembly		PCB-SCT	Y
6	Remote		REMOT-ELECT-ALL	Y
7	Log Assembly		LOGS-SCION	Y
8	Heater Assembly	Heater & Fan	HEATER-SCT	Y
9	LED Assembly (emberbed & flame, accent LED not included)		LED-SC43	Y
10	Power Cord		SF-PLUGIN	Y
11	Accent LED		ACCENT-SCT43	Y
12	Rotisserie	Rods & Cover	ROTISS-SCT43	Y
13	Flame Screen		FLAME-SCT43	Y
14	2 Inch Trim (includes side, front top and bottom)	8 pcs	TRIM2-SCT43	Y
15	1/2 Inch Trim, Sides (for left and right sides)	6 pcs	TRIM1-SCT	Y
16	Glass, Side	Pkg of 2	SDGLASS-SCT	Y
17	Side Panel	Pkg of 2	SDPANEL-SCT	Y
18	Glass		GLA-SCT43	Y
	Mantle Brackets (includes hardware and brackets)		MANTELHW-SCT	Y
	Electric Hardware Pack (Glass Retaining Brackets and Thumb Screws)		HDWR-LINEAR	Y
19	Hardwire Junction Block Replacement		SF-JBLOCK	Y



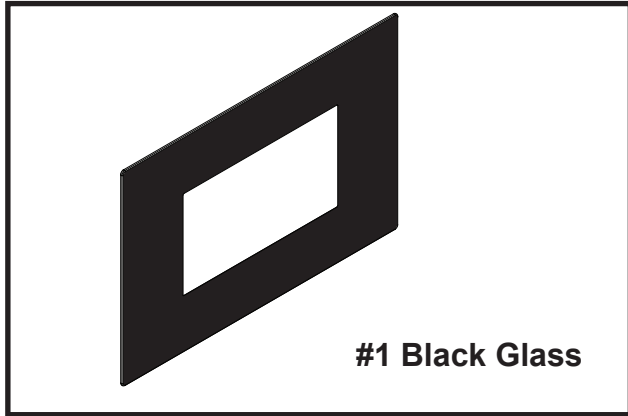


**IMPORTANT: THIS IS DATED INFORMATION.** Parts must be ordered from a dealer or distributor. **Hearth and Home Technologies does not sell directly to consumers.** Provide model number and serial number when requesting service parts from your dealer or distributor.

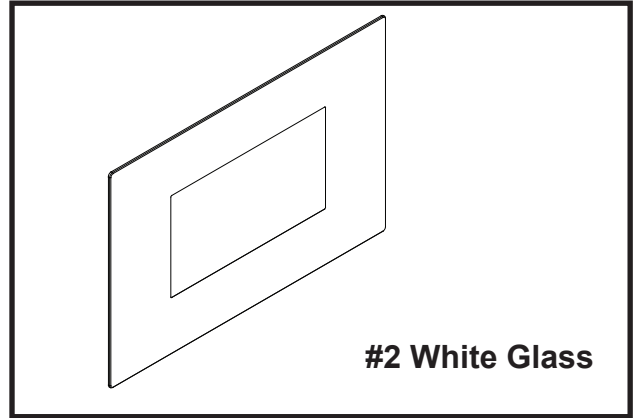


**Stocked at Depot**

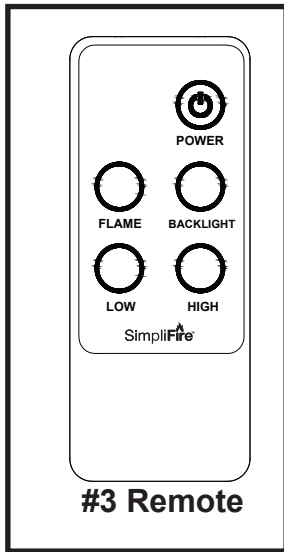
ITEM	DESCRIPTION	COMMENTS	PART NUMBER	Stocked at Depot
1	Crystal Media (clear small, clear large, & black small)		CRYSTAL-SCION	Y
2	Black Glass Embers		EMBER-SCION	Y
3	Remote Receiver		RECEIV-ALLUS-E	Y
4	Allusion Motor	Qty 2 req	MOTOR-ALLUS	Y
5	PCB Board Assembly		PCB-SCT	Y
6	Remote		REMOT-ELECT-ALL	Y
7	Log Assembly		LOGS-SCION	Y
8	Heater Assembly	Heater & Fan	HEATER-SCT	Y
9	LED Assembly (emberbed & flame, accent LED not included)		LED-SC55	Y
10	Power Cord		SF-PLUGIN	Y
11	Accent LED		ACCENT-SCT55	Y
12	Rotisserie	Rods & Cover	ROTISS-SCT55	Y
13	Flame Screen		FLAME-SCT55	Y
14	2 Inch Trim (includes side, front top and bottom)	8 pcs	TRIM2-SCT55	Y
15	1/2 Inch Trim, Sides (for left and right sides)	6 pcs	TRIM1-SCT	Y
16	Glass, Side	Pkg of 2	SDGLASS-SCT	Y
17	Side Panel	Pkg of 2	SDPANEL-SCT	Y
18	Front Glass		GLA-SCT55	Y
	Mantle Brackets (includes hardware and brackets)		MANTELHW-SCT	Y
	Electric Hardware Pack (Glass Retaining Brackets and Thumb Screws)		HDWR-LINEAR	Y
19	Hardwire Junction Block Replacement		SF-JBLOCK	Y



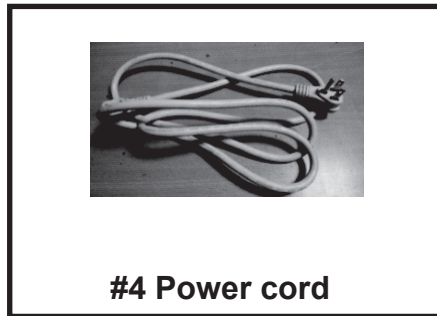
#1 Black Glass



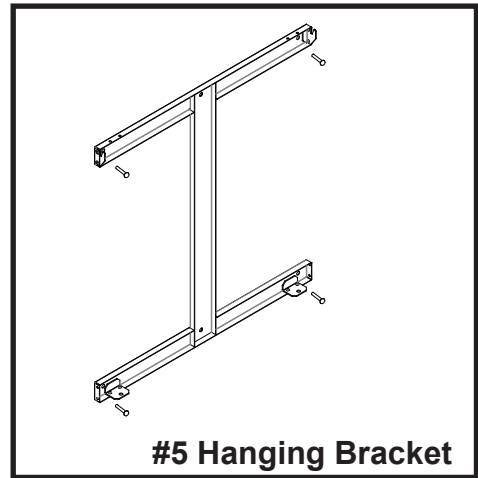
#2 White Glass



#3 Remote



#4 Power cord



#5 Hanging Bracket

IMPORTANT: THIS IS DATED INFORMATION. Parts must be ordered from a dealer or distributor. Provide model number and serial number when requesting service parts from your dealer or distributor.



Stocked  
at Depot

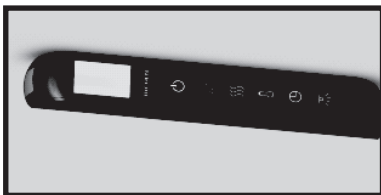
ITEM	DESCRIPTION	COMMENTS	PART NUMBER	
1	Black Glass	No Longer Available	GLA-WM36-BK	
2	White Glass	No Longer Available	GLA-WM36-WH	
3	Remote	No Longer Available	WM36-REMOTE	
4	Power Cord	No Longer Available	CORD-WM36	
5	Hanging Bracket	No Longer Available	BRACKET-WM36	
	Rock Kit, Contains both White and Clear Rock		ROCKS-WM58/36	Y
	Hardware Bag		HRDW-WM	Y
	Includes: Masonry Anchors, Screw (ST5 x 40), Bolt (M4 x 8), Bolt (M5 x 10), 3/16 Toggle anchor			
	Installation Manual	No Longer Available	2040-902	



#1 Black Glass



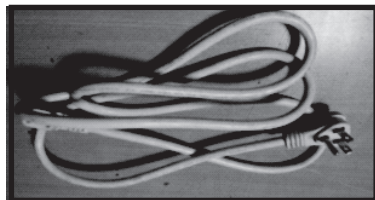
#2 White Glass



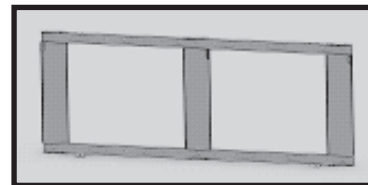
#3 Remote



#4 Fan Box



#5 Power cord



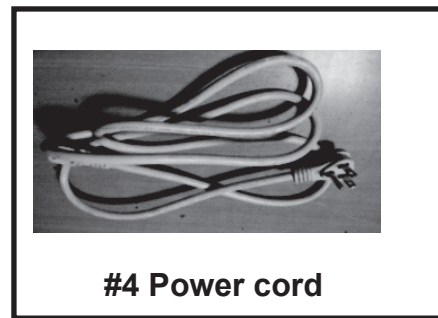
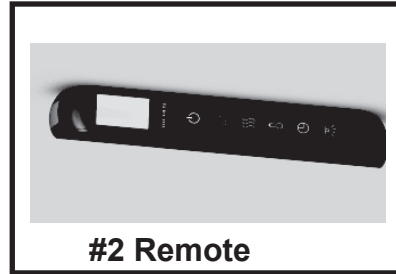
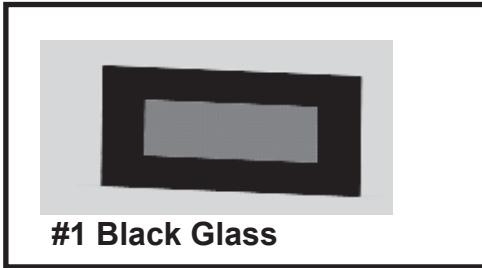
#6 Hanging Bracket

IMPORTANT: THIS IS DATED INFORMATION. Parts must be ordered from a dealer or distributor. **Hearth and Home Technologies does not sell directly to consumers.** Provide model number and serial number when requesting service parts from your dealer or distributor.



Stocked at Depot

ITEM	DESCRIPTION	COMMENTS	PART NUMBER	
1	Black Glass		GLA-WM58-BK	
2	White Glass		GLA-WM58-WH	
3	Remote		REMOTE-ELECT-WM	Y
4	Fan Box		FAN-BOX-WM58	Y
5	Power Cord		CORD-WM58	Y
6	Hanging Bracket		BRACKET-WM58	Y
	Flame Rod, 58"		ROD-WM58	
	Rock Kit, Contains both White and Clear Rock		ROCKS-WM58/36	Y
	Hardware Bag		HRDW-WM	Y
	Includes: Masonry Anchors, Screw (ST5 x 40), Bolt (M4 x 8), Bolt (M5 x 10), 3/16 Toggle anchor			
	Grey Screen, 58"		GS-WM58	
	Installation Manual		2040-903	
	Motor, 58", 70", 94"		MOT-WM58/70/94	

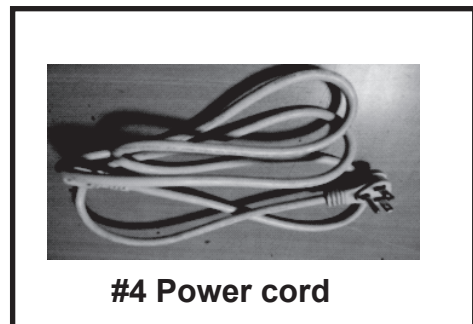
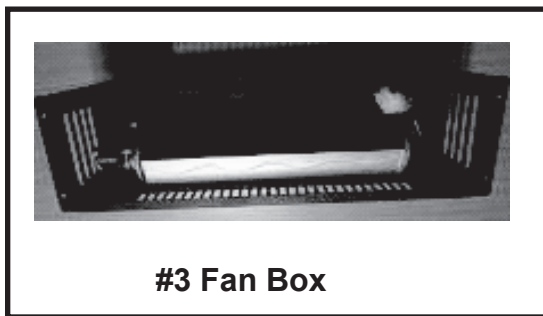
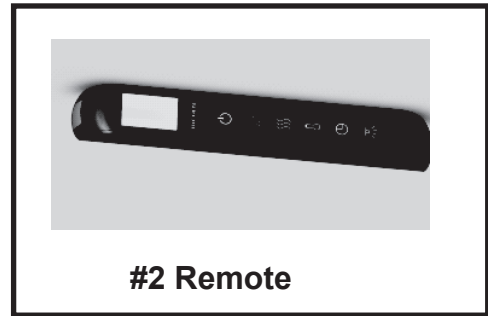
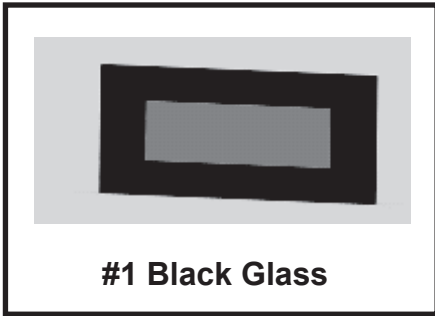


IMPORTANT: THIS IS DATED INFORMATION. Parts must be ordered from a dealer or distributor. **Hearth and Home Technologies does not sell directly to consumers.** Provide model number and serial number when requesting service parts from your dealer or distributor.



Stocked at Depot

ITEM	DESCRIPTION	COMMENTS	PART NUMBER	
1	Black Glass	No Longer Available	GLA-WM70-BK	
2	Remote		REMOTE-ELECT-WM	Y
3	Fan Box		FAN-BOX-WM58	Y
4	Power Cord		CORD-WM58	Y
5	Hanging Bracket	No Longer Available	BRACKET-WM70	
	Flame Rod, 70"	No Longer Available	ROD-WM70	
	Rock Kit, Contains both White and Clear Rock	No Longer Available	ROCKS-WM70/94	
	Hardware Bag	No Longer Available	HRDW-WM70/94	
	Includes: Masonry Anchors, Screw (ST5 x 40), Bolt (M4 x 8), Bolt (M5 x 10), 3/16 Toggle anchor			
	Grey Screen, 70"	No Longer Available	GS-WM70	
	Installation Manual	No Longer Available	2040-903	
	Motor, 58", 70", 94"		MOT-WM58/70/94	

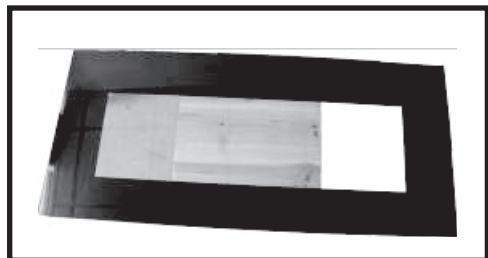


IMPORTANT: THIS IS DATED INFORMATION. Parts must be ordered from a dealer or distributor. **Hearth and Home Technologies does not sell directly to consumers.** Provide model number and serial number when requesting service parts from your dealer or distributor.

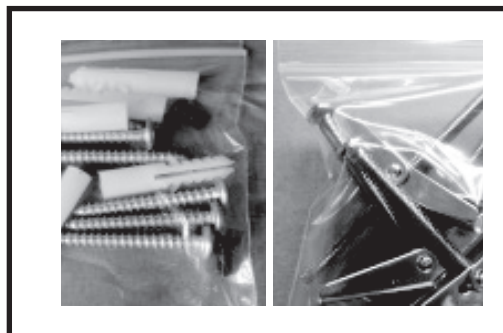


Stocked at Depot

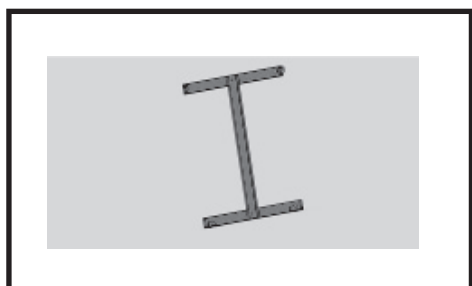
ITEM	DESCRIPTION	COMMENTS	PART NUMBER	
1	Black Glass	No Longer Available	GLA-WM94-BK	
2	Remote		REMOTE-ELECT-WM	Y
3	Fan Box		FAN-BOX-WM58	Y
4	Power Cord		CORD-WM58	Y
5	Hanging Bracket	No Longer Available	BRACKET-WM94	
	Flame Rod, 94"	No Longer Available	ROD-WM94	
	Rock Kit, Contains both White and Clear Rock	No Longer Available	ROCKS-WM70/94	
	Hardware Bag	No Longer Available	HRDW-WM70/94	
	Includes: Masonry Anchors, Screw (ST5 x 40), Bolt (M4 x 8), Bolt (M5 x 10), 3/16 Toggle anchor			
	Grey Screen, 94"	No Longer Available	GS-WM94	
	Installation Manual	No Longer Available	2040-903	
	Motor, 58", 70", 94"		MOT-WM58/70/94	



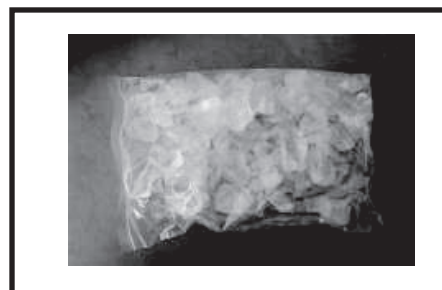
#1 Black Glass



#2 Hardware Bag



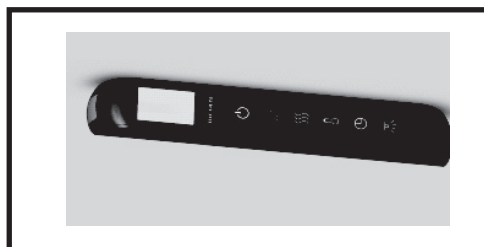
#3 Hanging Bracket



#4 Crystal Stones



#5 Base



#6 Remote

IMPORTANT: THIS IS DATED INFORMATION. Parts must be ordered from a dealer or distributor. **Hearth and Home Technologies does not sell directly to consumers.** Provide model number and serial number when requesting service parts from your dealer or distributor.



Stocked at Depot

ITEM	DESCRIPTION	COMMENTS	PART NUMBER	
1	Black Glass		GLA-WM38-BK	Y
2	Hardware Bag		HRDW-38WM	Y
3	Hanging Bracket		BRACKET-WM38	Y
4	38" Crystal Stone		ROCKS-WM38	Y
5	38" Base		BASE-38WM	Y
6	Remote		REMOTE-ELECT-WM	Y
	Flame Rod, 38"		ROD-WM38	
	Grey Screen, 38"		GS-WM38	
	Motor, 38"		MOT-WM38	
	Installation Manual		2040-911	