

QUADRA-FIRE®

Service Parts Book

To locate part number:

1. Find the serial number and appliance (model) name on the rating plate, which is located on the bottom right-hand side near the gas controls area or valve plate.

2. See Table of Contents (next page) to locate your appliance page number. Insert page number (see tool bar) and enter.



3. You will see a service parts diagram. The parts list is on the following page or below the diagram. Those without an item number will be in alphabetical order.

4. Column marked "Stocked at Depot": Y = stocked.

Blank = shipped from the factory with a standard lead time.

5. "No longer available" = HHT is no longer able to provide this part.

CAUTION: HOT WHILE IN OPERATION DO NOT TOUCH. KEEP CHILDREN, CLOTHING AND FURNITURE AWAY. CONTACT MAY CAUSE SKIN BURNS. SEE NAMEPLATE AND INSTRUCTIONS. Operate this unit with fuel hopper lid closed. Failure to do so may result in emissions product combustion from the hopper under certain conditions. Maintain hopper seal in good condition. Do not over fill the hopper.

ATTENTION: CHAUD LORS DE L'OPERATION. NE PAS TOUCHER. GARDEZ LES ENFANTS ET LES VÊTEMENTS LOIN DE L'ESPACE DESIGNÉ DE L'INSTALLATION. LE CONTACT PEUT CAUSER DES BRÛLURES À LA PEAU. VOIR L'ÉTIQUETTE ET LES INSTRUCTIONS. Opérez cet appareil avec le couvercle de la trémie fermé. Le défaut de ne pas suivre les instructions peut résulter, sous certaines conditions, en une combustion des émissions des produits venant de la trémie. Ne pas remplir la trémie trop pleine.

Report / Rapport
061-S-53-2

QUADRA-FIRE

Listed Solid Fuel Room Heater/Pellet Type. Also suitable for Mobile Home installation. This appliance has been tested and listed for use in Manufactured Homes in accordance with OAR 814-23-9000 through 814-23-909.

Tested to: ASTM E1509-95, ULC S627-00, UL/CORD-C1482-M1990 Room Heating Pellet Burning Type, (UM) 84-HUD FOR USE ONLY WITH PELLETTIZED WOOD OR SHELLED FIELD CORNFUEL.

Input Rating: 30,000 Btu/hr
Electrical Rating: 115 VAC, 60 Hz, Start 4.1 Amps, Run 1.1 AMPS.
Route power cord away from unit. Do not route cord under or in front of appliance.

DANGER: Risk of electrical shock. Disconnect power supply before servicing. Replace glass only with 5mm ceramic available from your dealer. To start, set thermostat above room temperature, the stove will light automatically. To shutdown, set thermostat to below room temperature. For further instruction refer to owner's manual. Keep viewing and ash removal doors tightly closed during operation.

PREVENT HOUSE FIRES
Install and use only in accordance with manufacturer's installation and operating instructions. Contact local building or fire officials about restrictions and inspection in our area.

WARNING - FOR MOBILE HOMES: Do not install appliance in a sleeping room. An outside combustion air inlet must be provided. The structural integrity of the mobile home floor, ceiling and walls must be maintained. Refer to manufacturer's instructions and local codes for precautions required for passing chimney through a combustible wall or ceiling. Inspect and clean vent system frequently in accordance with manufacturer's instructions. **DO NOT CONNECT THIS UNIT TO CHIMNEY SERVING ANOTHER APPLANCE.** Use a 3" or 4" diameter type "L" or "PL" venting system.

MODEL NAME

007

Appareil de chauffage de combustible solide type de bouillottes. Accepté dans l'installation dans les maisons mobiles. Cet appareil a été testé et enregistré pour l'usage dans les Maisons Mobiles en accord avec OAR 814-23-9000 jusqu'à 814-23-909.

Testé à: ASTM E1509-95, ULC S627-00, UL/CORD-C1482-M1990 Room Heating, Pellet Burning Type, (UM) 84-HUD POUR USAGE AVEC LES BOULETTES DE BOIS OU DE COMBUSTIBLE DE MAIS ECORCÉES DES CHAMPIERS.

Puissance de Rendement: 30,000 Btu/hr
Puissance Electrique: 115 VAC, 60 Hz, Début 4.1 Amps, Courir 1.1 Amps.
Écarter le fil électrique de l'appareil. Ne pas faire passer le fil électrique au dessus ou en dessous de l'appareil.

DANGER! Il y a risque de décharge électrique. Déconnectez le fil électrique de la prise de contact avant le service. Remplacez le verre seulement avec une vitre céramique de 5 mm disponible chez votre fournisseur.

Pour allumer, monter la température du thermostat au dessus de la température de la pièce, la poêle s'allumera automatiquement. Pour éteindre, descendre la température du thermostat en dessous de la température de la pièce. Pour des instructions supplémentaires, référez vous au manuel du propriétaire. Gardez la porte d'ouverture et la porte des cendres fermées hermétiquement durant l'opération.

PRÉVENTION DES FEUX DE MAISON
Installez et utilisez en accord avec les instructions d'installation et d'opération du fabricant. Contactez le bureau de la construction ou le bureau des incendies au sujet des restrictions et des inspections d'installation dans votre voisinage. Ne pas obstruer l'espace en dessous de l'appareil.

AVIS - Pour les Maisons Mobiles: Ne pas installer l'appareil dans une chambre à coucher. Un tuyau extérieur de combustion d'air doit être installé et ne doit pas être obstrué lorsque l'appareil est en usage. La structure intégrée du plancher, du plafond et des murs de la maison mobile doit être maintenue intacte. Inspectez et nettoyez la cheminée fréquemment. Ne pas connecter cet appareil à une cheminée servant un autre appareil.

Utilisez système de ventilation "L" ou "PL" diamètre 76mm ou 102mm

MINIMUM CLEARANCES TO COMBUSTIBLE MATERIALS / ESPACES LIBRES MINIMUM DES MATÉRIEAUX COMBUSTIBLES:

A	Back Wall / Mur Arrière	2'51mm
B	Side Wall / Mur De Côté	6'152mm
CORNER INSTALLATION / INSTALLATION DU COIN :		
C	Side Wall / Mur De Côté	2'51mm
VERTICAL 3" - 3" ADAPTER KIT (PART 811-0860) INSTALLATION:		
UN ASSEMBLAGE POUR ADAPTEUR 3" - 3" (PIÈCE 811-0860) POUR INSTALLATION VERTICALE:		
D	Pipe to Back Wall / Un Tuyau Mur Arrière	3'762mm
E	Side Wall / Mur De Côté	6'152mm
F	Back Wall / Mur Arrière	7'178mm
CORNER INSTALLATION WITH VERTICAL ADAPTER KIT:		
INSTALLATION DU COIN AVEC UN ASSEMBLAGE D'ADAPTEUR VERTICAL:		
G	Side Wall / Mur De Côté	2'51mm
H	Pipe to Side Wall / Un Tuyau Mur De Côté	3'762mm
ALCOVE INSTALLATION / INSTALLATION DE L'ALCÔVE:		
Min. Alcove Height / Une hauteur minimum de falçue		43"1022mm
Min. Alcove Side Wall / Une hauteur minimum mur de côté de falçue		6'152mm
Min. Alcove Width / Une épaisseur minimum mur de côté de falçue		38"965mm
Max. Alcove Depth / La profondeur maximum de falçue		38"965mm

FLOOR PROTECTION / PROTECTION DU SOL

If Cast Base is installed (Part 811-0840) use a non-combustible floor protector, extending beneath heater and to the front/side/rear as indicated. Measure front distance (I) from the surface of the glass door. If Cast Base is not installed, the non-combustible floor protector must be 14" (356mm) minimum thickness ("X" value = 0.84).

"Non-combustible floor protection must extend beneath the flue pipe when installed with horizontal venting or under the Top Vent Adapter with vertical installation. **RECOMMENDED IN USA; REQUIRED IN CANADA**

Un protecteur incombustible de plancher doit s'étendre sous le conduit de cheminée pour une installation de ventilation horizontale ou sous un adaptateur de ventilation de dessus pour une installation verticale. **ÉTATS-UNIS-RECOMMANDÉ; CANADA - REQUIS.**

Manufactured by/Fabriqué par: **HERTH & HOME Technologies**
1444 Highway North
Coville, VA 99114
www.quadrafire.com

This model is exempt from EPA certification under 40 CFR 60.531 by definition (Wood Heater (A) "Air-to-Fuel Ratio").

2009 2010 2011 JAN FEB MAR APR MAY JUNE JULY AUG SEPT OCT NOV DEC

DO NOT REMOVE THIS LABEL / NE PAS ENLEVER L'ÉTIQUETTE

Made in U.S.A./Fait Aux États-Unis

7001-143E

Rating Plate

PLEASE NOTE:

These Service Parts Lists included in this section are subject to updates as improvements are made to our appliances or when new appliances are created.

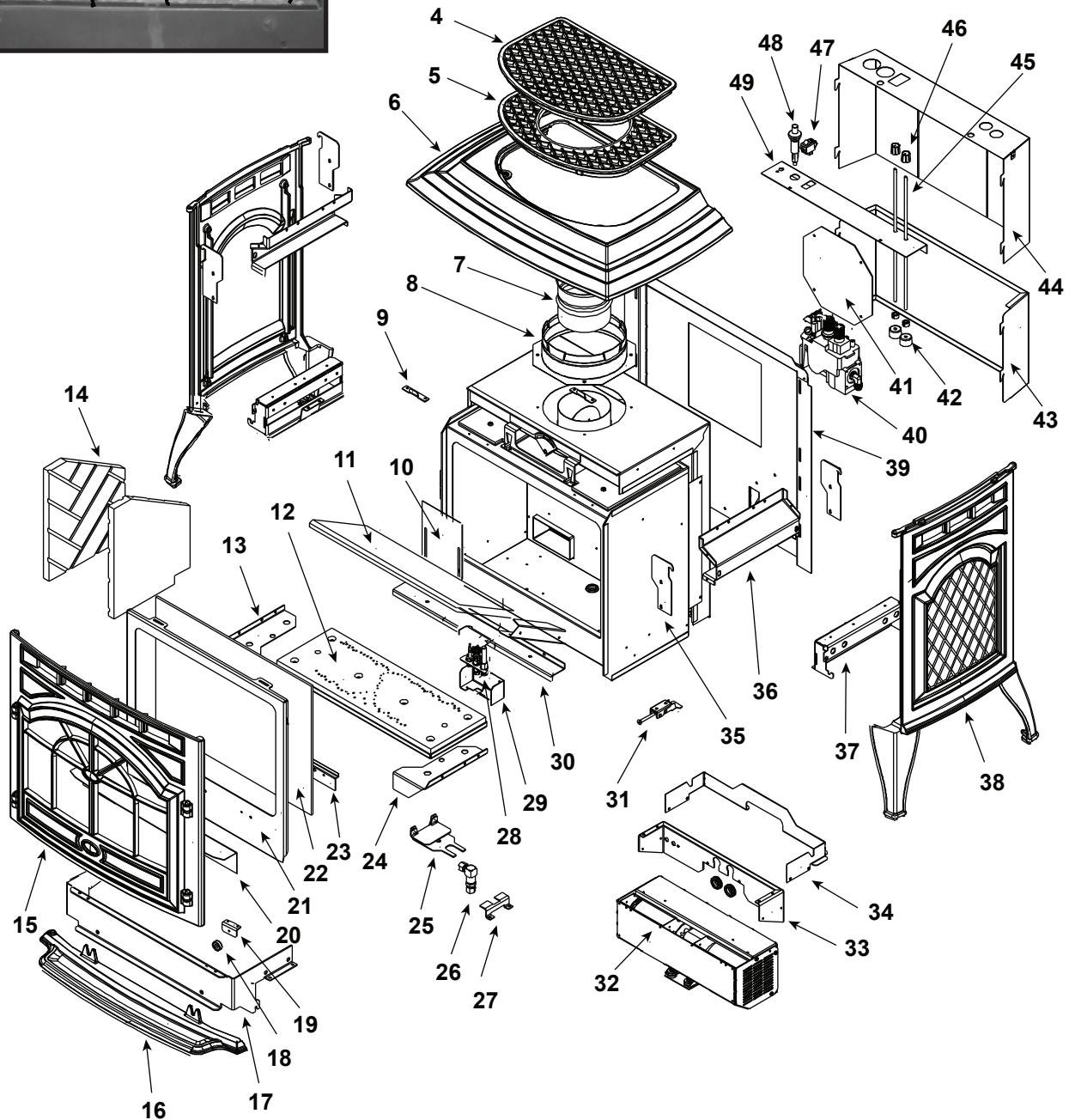
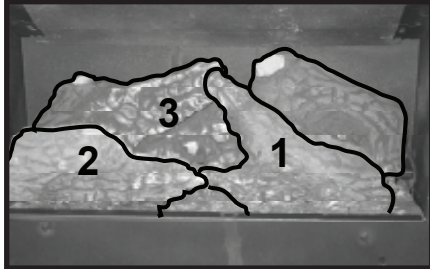
Any changes that have been made are highlighted in yellow.

Gas Stoves

CASTILE-GAS	3
COLBAY-FS (PRE-ENHANCED).....	8
COLBAY-FS-B	14
COLBAY INSERT (PRE 2003).....	17
COLBAY-INS.....	19
DV40 (STEP TOP)	23
DV-44	25
DV400, DV400L.....	27
DV400S, DV400SL.....	29
DV750 (PRE SN 3096).....	31
DV750 (POST SN 3196)	33
DVI-32.....	35
GARNET (DV-250).....	37
GARNET -IPI.....	39
GARNET-IPI-B	43
GARNET-MBK, GARNET-T	47
GB40FS (GRAND BAY 40)	51
GB40I (GRAND BAY 40).....	53
GBDV-40 (GRAND BAY 40).....	55
HUDBAY-FS (840-0340).....	57
HUDBAY-FS	60
HUDBAY-INS.....	63
SAPPHIRE	66
SAPPHIRE-D	72
SAPPHIRE-IPI	77
DV425, DV425L.....	81
SAPPHIRE 25 (DV425S)	83
SAPPHIRE 25 (DV425TR).....	85
SAPPHIRE 50 (DV450).....	87
SAPPHIRE 50 (DV450S)	89
TOPAZ	91
TOPAZ-IPI	97

CASTILE-GAS-CSB, CASTILE-GAS-CWL, CASTILE-GAS-MBK, CASTILE-GAS-PMH

Log Set Assembly



Part number list on following pages.

IMPORTANT: THIS IS DATED INFORMATION. Parts must be ordered from a dealer or distributor. **Hearth and Home Technologies does not sell directly to consumers.** Provide model number and serial number when requesting service parts from your dealer or distributor.



**Stocked
at Depot**

ITEM	DESCRIPTION	COMMENTS	PART NUMBER	
	Log Assembly		SRV7055-013	
1	Log 1		7055-124	
2	Log 2		7055-125	
3	Log 3		7055-126	
	Log Pin Ceramic (Pkgs of 12)	1/4" x 1"	7000-465/12	Y
		1/4" x 1-1/2"	7000-466/12	Y
4	Grille, Rear Vent	No Longer Available	RV-CG-MBK	
		No Longer Available	RV-CG-PMH	
		No Longer Available	RV-CG-CSB	
		No Longer Available	RV-CG-CWL	
5	Grille, Top Vent	Black	455-0370MBK	
		Mahogany	455-0370PMH	
		Sienna Bronze	455-0370CSB	
		No Longer Available	455-0370CWL	
6	Top	Black	7021-101MBK	
		Mahogany	7021-101PMH	
		Sienna Bronze	7021-101CSB	
		No Longer Available	7021-101CWL	
7	Flue Adapter, SLP	No Longer Available	SLP-SAM	
8	Dv Adapter	No Longer Available	7000-172	
9	Door Retainer	No Longer Available	7010-122	
10	Plate, Damper		468-0360	
11	Baffle		7010-136A	Y
12	Burner W/Neck Assembly		SRV7010-025	
13	Burner Support, Left	No Longer Available	7010-141	
14	Brick Set	No Longer Available	BRICK-T1	
15	Face	Black	413-0030BK	
		No Longer Available	413-0030PMH	
		No Longer Available	413-0030CSB	
		No Longer Available	413-0030CWL	
16	Ashcatcher	Black	413-0010BK	
		No Longer Available	413-0010PMH	
		No Longer Available	413-0010CSB	
		No Longer Available	413-0010CWL	
17	Ash Lip Mount Assembly	No Longer Available	7023-004	
	Screw, Pan Head Philips 8-32 X 3/8	Pkg of 40	225-0500/40	Y
18	Magnet Round		SRV7000-140	Y

Additional service part numbers appear on following page.

IMPORTANT: THIS IS DATED INFORMATION. Parts must be ordered from a dealer or distributor. **Hearth and Home Technologies does not sell directly to consumers.** Provide model number and serial number when requesting service parts from your dealer or distributor.



**Stocked
at Depot**

ITEM	DESCRIPTION	COMMENTS	PART NUMBER	
19	Bracket, Magnet	No Longer Available	7023-108	
20	Door Shield	No Longer Available	7023-109	
21	Door Assembly	No Longer Available	7010-016	
22	Glass Assembly	No Longer Available	7010-017	
23	Glass Retainer	No Longer Available	7010-121	
	Glass Gasket - Field Cut to Size	No Longer Available	844-3010	
	Screw, Pan Head Philips 8-32 X 3/8	Pkg of 40	225-0500/40	Y
	Tape, Door Corner - Field Cut to Size		SRV7027-227	Y
24	Burner Support, Right	No Longer Available	7010-140	
25	Shutter Assembly	No Longer Available	7002-016	Y
26	Bulkhead		26457	Y
27	Bulkhead Stop		SRV474-0090	
28	Pilot Assembly NG		230-1781	Y
29	Pilot Bracket	No Longer Available	7010-135	
30	Log Support Rear	No Longer Available	7010-134	
31	Latch, Draw		229-0640	Y
32	Blower Universal Gas		BK-GAS	
	Power Cord		832-2410	Y
	Blower Housing	No Longer Available	7016-138	
	Blower, Convection		812-4900	Y
	Bracket, Thermostat	No Longer Available	455-7230	
	Component Pack Assembly	No Longer Available	7016-016	
	Knob, Rheostat (Black)		SRV100-512	Y
	Snap Disc		SRV230-0960	Y
	Speed Control Only (Rheostat)		842-0370	Y
	Wire Harness	No Longer Available	455-7240	
33	Blower Bracket Rear	No Longer Available	7009-103	
34	Blower Bracket	No Longer Available	7010-146	
35	Hook, Cast Mounting	No Longer Available	7023-102	
36	Bracket, Cast Mounting, Upper	No Longer Available	7023-100	
37	Bracket, Cast Mounting, Bottom	No Longer Available	7023-101	
38	Side	Black	SRV7021-125MBK	
		No Longer Available	413-0040PMH	
		No Longer Available	413-0040CSB	
		No Longer Available	413-0040CWL	
39	Back Shield Support	No Longer Available	7023-104	
40	Valve Replacement, Sit NG		842-0240	Y
	Valve Replacement, Sit LP		842-0230	Y

Additional service part numbers appear on following page.

Beginning Manufacturing Date: May 2005
Ending Manufacturing Date: Nov 2010

IMPORTANT: THIS IS DATED INFORMATION. Parts must be ordered from a dealer or distributor. **Hearth and Home Technologies does not sell directly to consumers.** Provide model number and serial number when requesting service parts from your dealer or distributor.



**Stocked
at Depot**

ITEM	DESCRIPTION	COMMENTS	PART NUMBER	
41	Cover Plate		SRV7010-159	
42	Adapter, Valve Extension		450-6330	
43	Back Shield Lower	No Longer Available	7023-107	
44	Back Shield Upper	No Longer Available	7023-106	
45	Rod, Control		455-0340	
46	Knob, Rheostat (Black)		SRV100-512	Y
47	Switch, Rocker		SRV32D0232	Y
48	Piezo Ignitor -Black Knob		291-513	Y
49	Plate, Switch	No Longer Available	7023-105	
	Baffle Bracket	No Longer Available	7010-137	
	Brass Elbow		SRV17524	
	Burner Plate Assembly	No Longer Available	7010-022	
	Burner Stop	No Longer Available	7010-152	
	Collar, Set, 1/4		229-0750	
	Component Pack Assembly (Includes On/Off Valve; Lp Orifice; Mineral Wool; Lp Pilot Injector; Touch-Up Paint; Fasteners; Lp Conversion Regulator; Conversion Label; Leg Leveling Assembly; Snap Disc Bracket; Warranty Card; Consumer View Card & Owners Manual)	No Longer Available	7023-001	
		No Longer Available	7023-005	
		No Longer Available	7023-006	
		No Longer Available	7023-007	
	Injector, Pilot, Ez, Lp, 35		SRV200-2630	Y
	Leveling Assembly		SRV7000-000	
	Mineral Wool		050-721	
	Nut, Keps Lock, 10-32	Pkg of 20	226-0050/20	
	On/Off Valve		SRV15697	Y
	Orifice Lp .063		SRV17236	Y
	Paint Touch-Up, 4 Oz	Black	812-0910	
		Mahogany	1-00-0014	
		Sienna Bronze	TOUCHUP-CSB	
		No Longer Available	TOUCHUP-CWL	
	Regulator, Conversion, Sit, Lp		SRV230-1520	Y
	Snap Disc Bracket		7009-108	
	Damper Stop	No Longer Available	468-0210	
	Elbow, 3/8 Flare X 3/8 Npt		SRV4021-045	
	Electrode, Sit, Ez, Flush		842-4580	Y
	Flex Line 3/8 Flare X 22L	No Longer Available	7000-197	
	Gasket Flue Collar	No Longer Available	455-0660	
	Gasket, Cover Plate		7010-160	
	Gasket, Elbow		SRV460-0610	
	Line, Gas, T6-18		567-300	

Additional service part numbers appear on following page.

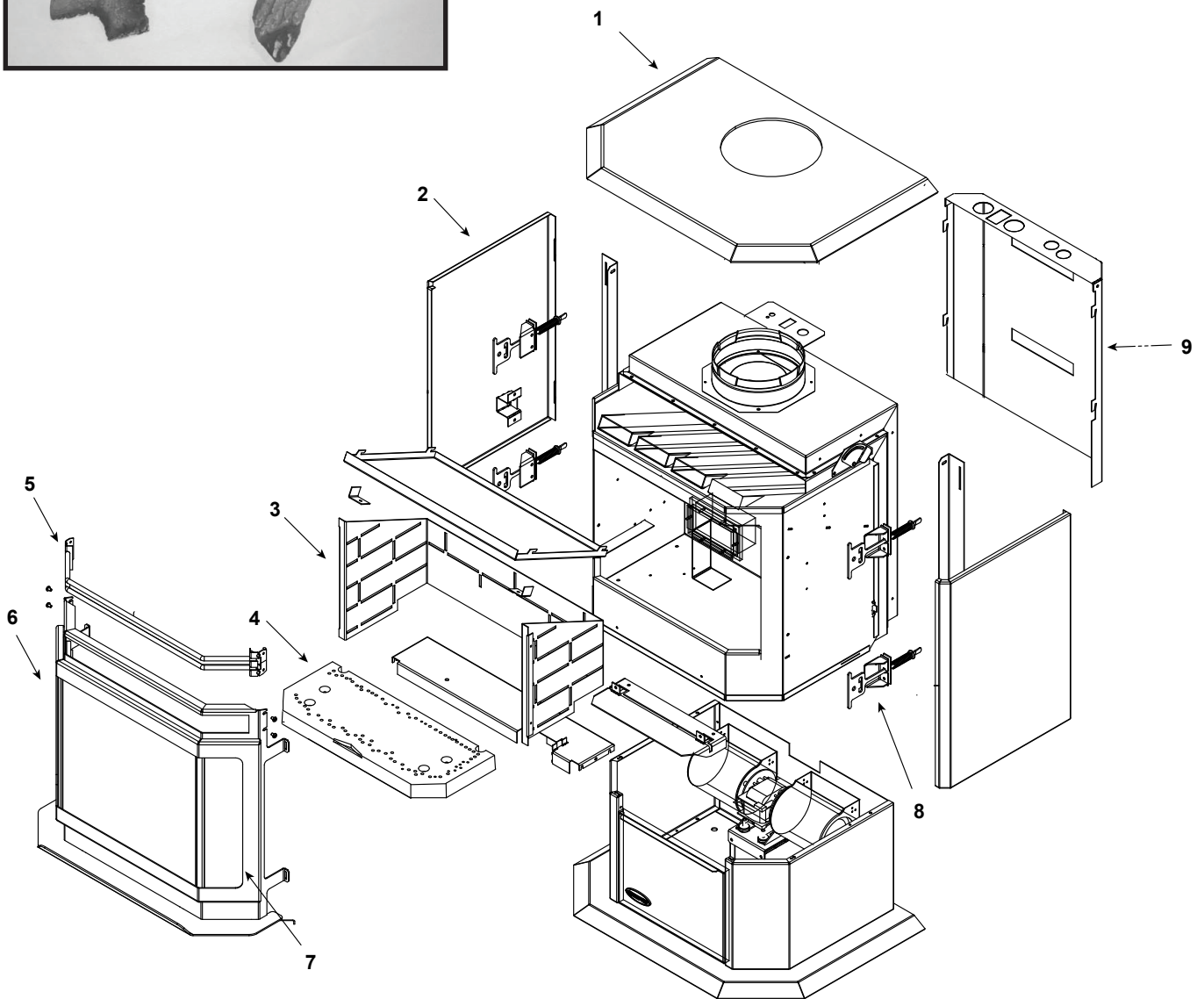
IMPORTANT: THIS IS DATED INFORMATION. Parts must be ordered from a dealer or distributor. **Hearth and Home Technologies does not sell directly to consumers.** Provide model number and serial number when requesting service parts from your dealer or distributor.



Stocked
at Depot

ITEM	DESCRIPTION	COMMENTS	PART NUMBER	
	Paint, 12 Oz Can	Sienna Bronze/Espresso	PAINT1-CSB/CES	
		Willow/Tuscan Olive	PAINT1-CWL/CTO	
	Relief Door Assembly	No Longer Available	7010-003	
	Relief Door Bracket	No Longer Available	7010-154	
	Thermocouple		200-2950	Y
	Thermopile/Generator, Millivolt		842-0250	Y
	Wire Harness	No Longer Available	7010-156	
	Conversion Kit, Ng	No Longer Available	NGK-MB	
	Conversion Kit, LP	No Longer Available	LPK-MB	
	Orifice, Pilot, Ng, Ez, # 62		842-4440	Y
	Injector, Pilot, Ez, Lp, 35		SRV200-2630	Y
	Orifice NG (.106)		SRV19837	Y
	Orifice LP .063		SRV17236	Y
	Regulator, Conversion, Sit, LP		SRV230-1520	Y
ACCESSORIES				
	Battery Remot Thermostat	No Longer Available	SMARTBATT-B	
	Remote Thermostat		SMART-STAT-HHT	
	Thermostat, Mechanical		812-3760	Y
	Thermostat, Programmable		PROG-STAT	
FASTENERS				
	Avk Rivnut Repair Kit - 1/4-20 & 3/8-16 Rivnut Tools		RIVNUT-REPAIR	Y
	Nut, Keps Lock, 10-32	Pkg of 20	226-0050/20	
	Screw, Flat Head Philips 8-32X1/2	Pkg of 10	832-0860	Y
	Screw, Pan Head Philips 8-32 X 3/4	Pkg of 24	229-1100/24	Y
	Screw, Pan Head Philips 8-32 X 3/8	Pkg of 40	225-0500/40	Y
	Screw, Sheet Metal #8 X 1/2 S-Grip	Pkg of 40	12460/40	Y

Log Set Assembly



Part number list on following page.

Beginning Manufacturing Date: N/A
Ending Manufacturing Date: Apr 2002

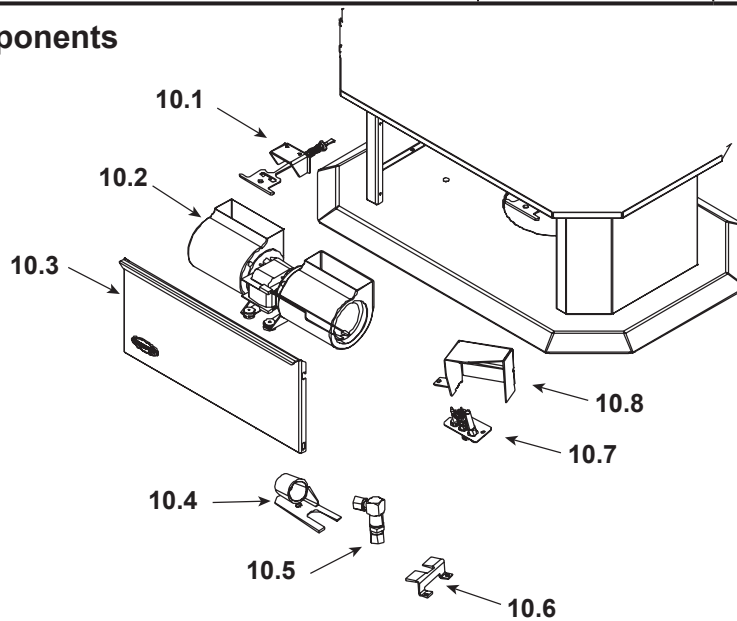
IMPORTANT: THIS IS DATED INFORMATION. When requesting service or replacement parts for your appliance please provide model number and serial number. All parts listed in this manual may be ordered from an authorized dealer.



**Stocked
at Depot**

ITEM	DESCRIPTION	COMMENTS	PART NUMBER	
	Log Set Assembly	No longer available	842-4111	
1	Top Assembly	No longer available	SRV452-0380A	
2	Curtain Side	No longer available	SRV452-0360	
3	Refractory Assembly	No longer available	452-0440	
4	Burner Assembly	No longer available	842-4070	
5	Grill Bar Assembly, Black	No longer available	SRV474-5050	
6	Door Assembly	No longer available	DOOR-COLBAY	
7	Door Crown, Black	No longer available	SRV452-0130	
8	Latch Assembly	No longer available	452-5070	Y
9	Valve Cover	No longer available	SRV474-0240	

#10 Pedestal Components

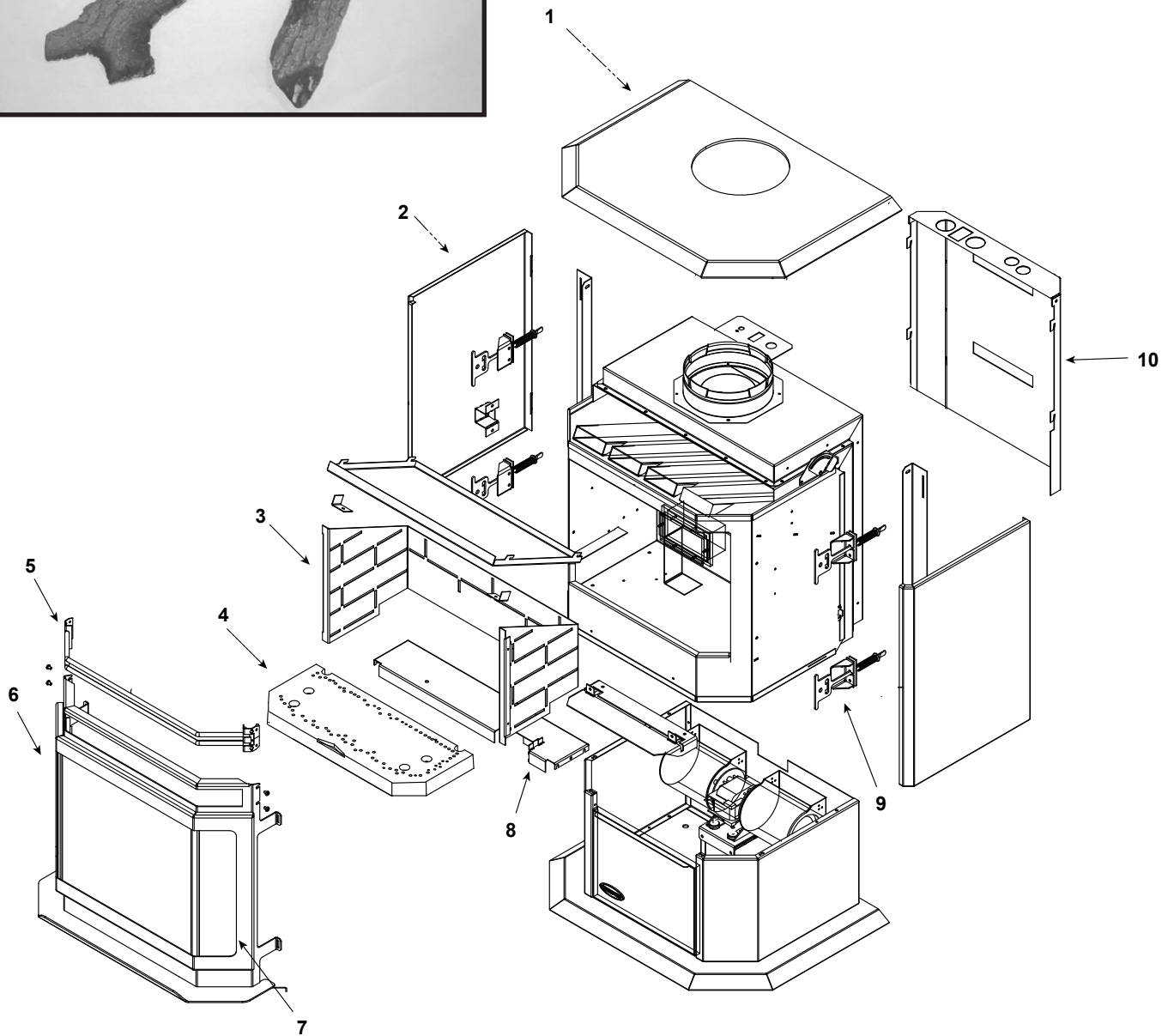
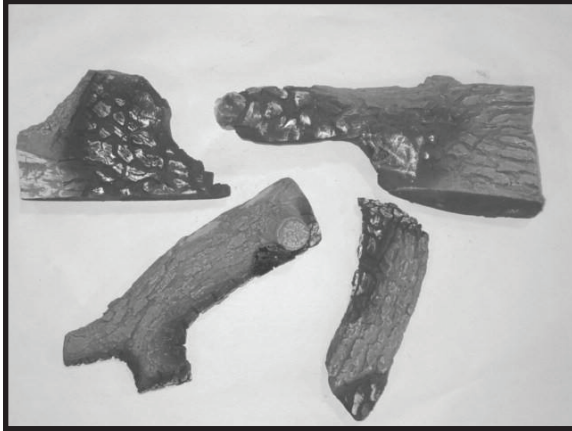


Pedestal components

10.1	Latch Assembly	No longer available	452-5070	Y
10.2	Blower		812-4900	Y
	Blower Plate		SRV457-0560	
	Blower Bracket		SRV474-0210	
10.3	Pedestal Door	No longer available	SRV474-0190	
10.4	Air Shutter Assembly		SRV468-5060	Y
10.5	Bulkhead		26457	Y
10.6	Bulkhead Stop		SRV474-0090	
10.7	Pilot Assembly		842-4280	Y
	Thermocouple		200-2950	Y
	Thermopile		842-0250	Y
10.8	Pilot Bracket	No longer available	474-0100	

Additional service part numbers appear on following page.

Log Set Assembly



Part number list on following page.

Beginning Manufacturing Date: Dec 2003
Ending Manufacturing Date: Feb 2006

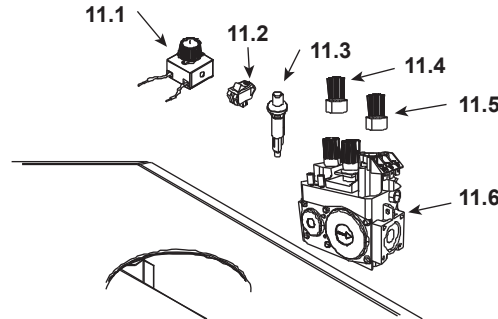
IMPORTANT: THIS IS DATED INFORMATION. Parts must be ordered from a dealer or distributor. **Hearth and Home Technologies does not sell directly to consumers.** Provide model number and serial number when requesting service parts from your dealer or distributor.



**Stocked
at Depot**

ITEM	DESCRIPTION	COMMENTS	PART NUMBER	
	Log Set Assembly	No Longer Available	842-4111	
1	Top Assembly	No Longer Available	SRV452-0380A	
2	Curtain Side	No Longer Available	SRV452-0360	
3	Refractory Assembly	No Longer Available	452-0440	
4	Burner Assembly	No Longer Available	842-4070	
		No Longer Available	842-5180	
5	Grill Bar Assembly	No Longer Available	SRV474-5050	
		No Longer Available	RDGRL-CB-GD	
		No Longer Available	RDGRL-CB-NL	
6	Door Assembly	No Longer Available	DOOR-COLBAY	
7	Door Crown	No Longer Available	SRV452-0130	
		No Longer Available	DC-CB-GD	
		No Longer Available	DC-CB-NL	
8	Rear Log Support	No Longer Available	474-0080	
9	Latch Assembly	No Longer Available	452-5070	Y
10	Valve Cover	No Longer Available	SRV474-0240	

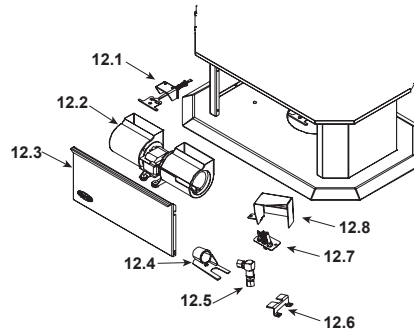
#11 Valve Components



11.1	Speed Control		842-0370	Y
	Knob		200-2041	Y
11.2	On/Off Rocker Switch		SRV32D0232	Y
11.3	Piezo Ignitor		291-513	Y
11.4	Knob On/Off		SRV37D0010	
11.5	Knob Hi/LO		571-533	Y
11.6	Valve NG		842-0240	Y
	Valve LP		842-0230	Y
	Valve Bracket	No Longer Available	474-0230	
	Conversion Kit NG	No Longer Available	NGK-MB	
	Conversion Kit LP	No Longer Available	LPK-MB	
	Pilot Orifice NG		842-4440	Y
	Pilot Orifice LP		SRV200-2630	Y
	Regulator NG		SRV230-1570	Y
	Regulator LP		SRV230-1520	Y

Additional service part numbers appear on following page.

#12 Pedestal Assembly



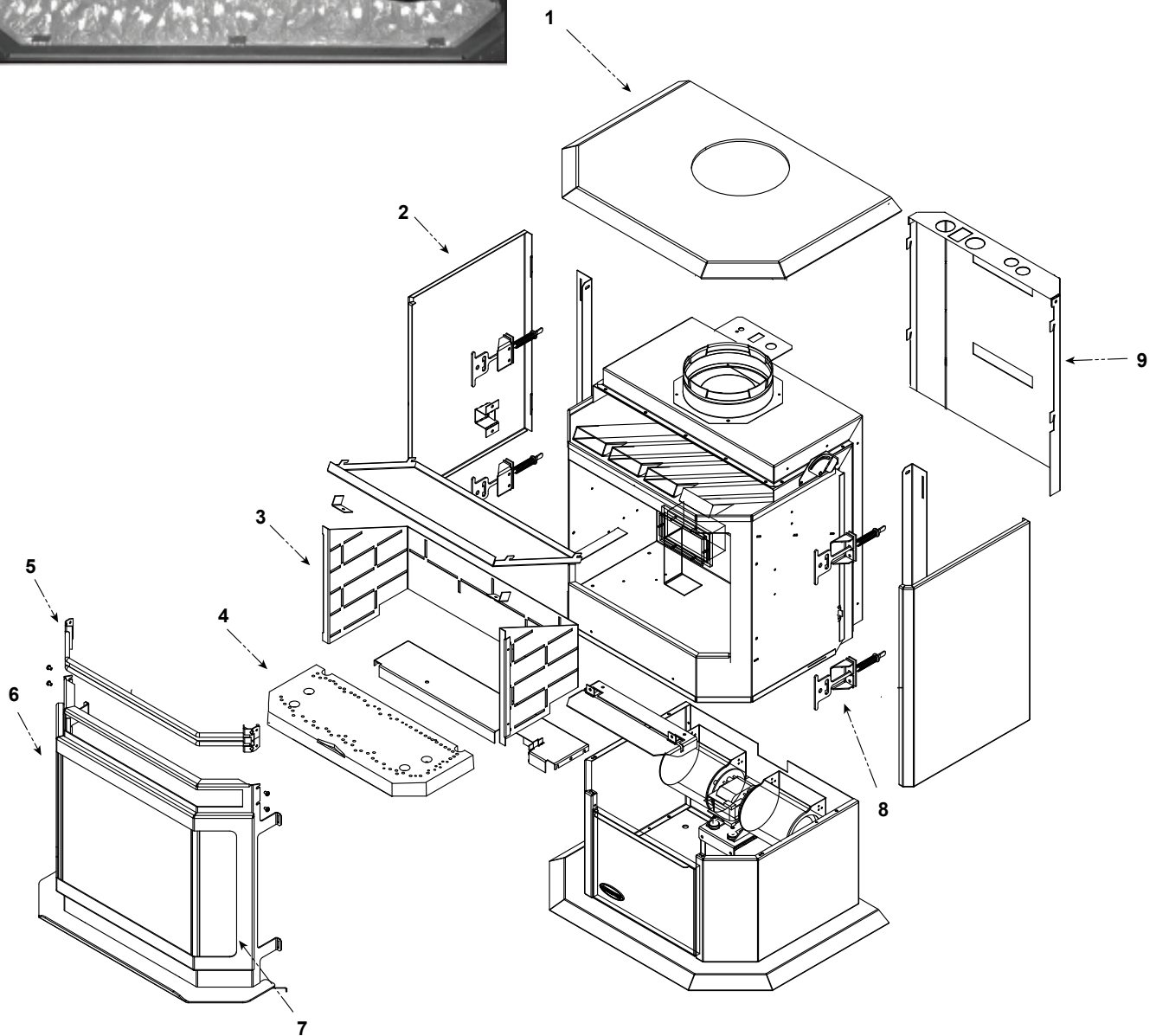
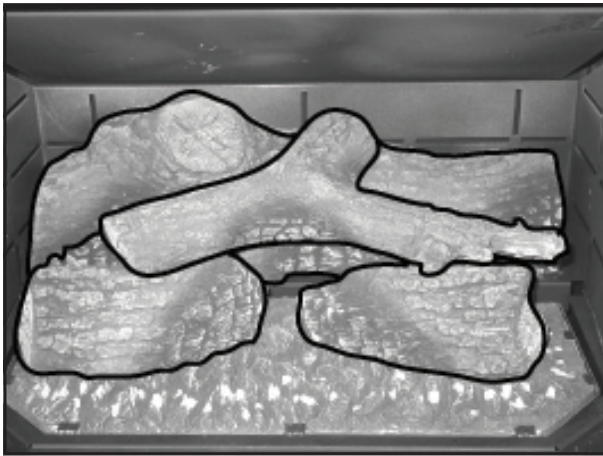
IMPORTANT: THIS IS DATED INFORMATION. Parts must be ordered from a dealer or distributor. **Hearth and Home Technologies does not sell directly to consumers.** Provide model number and serial number when requesting service parts from your dealer or distributor.



**Stocked
In Depot**

ITEM	DESCRIPTION	COMMENTS	PART NUMBER	
12.1	Latch Assembly		452-5070	Y
12.2	Blower		812-4900	Y
	Blower Plate		SRV457-0560	
	Blower Bracket		SRV474-0210	
12.3	Pedestal Door	No Longer Available	SRV474-0190	
12.4	Air Shutter Assembly		SRV468-5060	Y
12.5	Bulkhead		26457	Y
12.6	Bulkhead Stop		SRV474-0090	
12.7	NG Pilot Assembly w/Propane Orifice		842-4940	Y
	Thermocouple		200-2950	Y
	Thermopile		842-0250	Y
12.8	Pilot Bracket	No Longer Available	474-0100	
	Adaptor	Inner 4"	200-2470	
	Baffle Assembly	No Longer Available	842-4051	
	Baffle Hanger	No Longer Available	452-0030	
	Brick Refractory Ceramic	No Longer Available	841-0810	
	Burner Support Kit	No Longer Available	842-5190	
	Electrode	EZ Flush 42	842-4580	Y
	Face Support	No Longer Available	474-0260	
	Flex Line	3/8 comp x 30 "	200-2940	Y
	Flex Line	24"	2098-034	Y
	Gasket, Tadploe, 1/2" Bulb, Tail 3/4" PSA	10 FT	842-5130	
	Mineral Wool		050-721	
	Orifice NG (.106)		SRV19837	Y
	Orifice LP (.063)		SRV17236	Y
	Power Cord		832-2410	Y
	Snap Disc		SRV230-0960	Y
	Wire Harness		474-0350	Y
	Component Pack	No Longer Available	474-5070	
	Touch Up Paint		812-0910	

Log Set Assembly



Part number list on following page.

Beginning Manufacturing Date: Feb 2005
Ending Manufacturing Date: Jun 2013

IMPORTANT: THIS IS DATED INFORMATION. Parts must be ordered from a dealer or distributor. **Hearth and Home Technologies does not sell directly to consumers.** Provide model number and serial number when requesting service parts from your dealer or distributor.

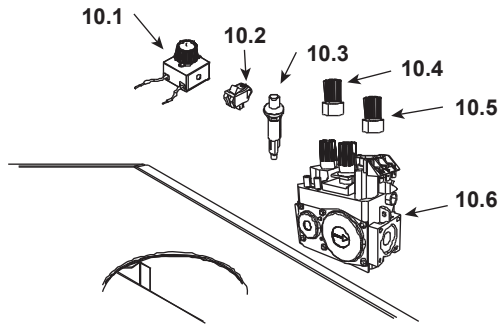


**Stocked
at Depot**

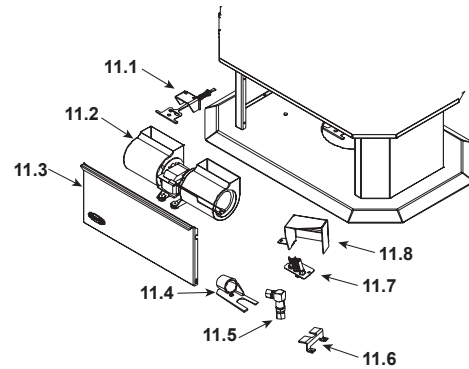
ITEM	DESCRIPTION	COMMENTS	PART NUMBER	
	Log Set Assembly	No longer available	842-4111	
1	Top Assembly	No longer available	SRV452-0380A	
		No longer available	452-0380A	
2	Curtain Side	No longer available	SRV452-0360	
		No longer available	452-0360	
3	Refractory Assembly	No longer available	452-0440	
4	Burner Assembly	No longer available	842-4070	
		No longer available	842-5180	
5	Grill Bar Assembly, BLACK	No longer available	SRV474-5050	
		Post SN 002660896	474-5050	
	Grill Bar Assembly	No longer available	RDGRL-CB-GD	
		No longer available	RDGRL-CB-NL	
6	Door Assembly	No longer available	DOOR-COLBAY	
		No longer available	DOOR-COLBAY-B	
	Gasket, Tadpole	10 FT	842-5130	Y
7	Door Crown, BLACK	No longer available	SRV452-0130	
		No longer available	452-0130	
	Door Crown	No longer available	DC-CB-GD	
		No longer available	DC-CB-NL	
8	Latch Assembly	No longer available	452-5070	
9	Valve Cover	No longer available	SRV474-0240	
		No longer available	474-0240	
	Adaptor	Inner 4"	200-2470	
	Adaptor	6 5/8"	SRV7010-172	
	Baffle Assembly	No longer available	842-4051	
	Baffle Hanger	No longer available	452-0030	
	Brick Refractory Ceramic	No longer available	841-0810	Y
	Rear Log Support	No longer available	474-0080	
	Burner Support Kit	No longer available	842-5190	
	Electrode	EZ Flush 42	842-4580	Y
	Face Support	No longer available	474-0260	
	Flex Line	3/8 comp x 30 "	200-2940	Y
	Flex Line	24"	2098-034	Y
	Mineral Wool		050-721	
	Power Cord		832-2410	Y
	Snap Disc		SRV230-0960	Y
	Wire Harness		474-0350	Y
	Component Pack	No longer available	474-5070	
	Touch Up Paint	Pre SN 002660896	812-0910	
		Post SN 002660896	TUP-GBK-12	

Additional service part numbers appear on following page.

#10 Valve Components



#11 Pedestal Components



IMPORTANT: THIS IS DATED INFORMATION. Parts must be ordered from a dealer or distributor. **Hearth and Home Technologies does not sell directly to consumers.** Provide model number and serial number when requesting service parts from your dealer or distributor.



**Stocked
In Depot**

ITEM	DESCRIPTION	COMMENTS	PART NUMBER	
10.1	Speed Control		842-0370	Y
	Knob		200-2041	Y
10.2	On/Off Rocker Switch		SRV32D0232	Y
10.3	Piezo Ignitor		291-513	Y
10.4	Knob On/Off		SRV37D0010	
10.5	Knob Hi/LO		571-533	Y
10.6	Valve NG		842-0240	Y
	Valve LP		842-0230	Y
	Valve Bracket	No longer available	474-0230	
11.1	Latch Assembly		452-5070	
11.2	Blower		812-4900	Y
	Blower Plate		SRV457-0560	
	Blower Bracket		SRV474-0210	
11.3	Pedestal Door	No longer available	SRV474-0190	
		No longer available	474-0190	
11.4	Air Shutter Assembly		SRV468-5060	Y
11.5	Bulkhead		26457	Y
11.6	Bulkhead Stop		SRV474-0090	
11.7	NG Pilot Assembly /w Propane Orifice		842-4940	Y
	Thermocouple		200-2950	Y
	Thermopile		842-0250	Y
12	Pilot Bracket	No longer available	474-0100	
	Orifice NG (.106)		SRV19837	Y
	Orifice LP (.063)		17236	Y
	Conversion Kit NG	No longer available	NGK-MB	
	Conversion Kit LP	No longer available	LPK-MB	
	Pilot Orifice NG		842-4440	Y
	Pilot Orifice LP		SRV200-2630	Y
	Regulator NG		SRV230-1570	Y
	Regulator LP		SRV230-1520	Y

IMPORTANT: THIS IS DATED INFORMATION. When requesting service or replacement parts for your appliance please provide model number and serial number. All parts listed in this manual may be ordered from an authorized dealer.



**Stocked
at Depot**

ITEM	DESCRIPTION	COMMENTS	PART NUMBER	
	Blower		812-4900	Y
	Burner	No longer available	842-4780	
	Brick Set	No longer available	841-0900	
	Log Set	No longer available	842-4820	
	Door Parts:			
	Gold Crown	No longer available	841-0910	
	Gold Grill	No longer available	462-5050	
	Glass, Side	No longer available	842-4100	
	Glass, Center	No longer available	842-4810	
	Orifices:			
	Burner, NG, #36/.106		SRV19837	Y
	Burner, LP, #52/.063		SRV17236	Y
	Pilot, NG, 62		842-4440	Y
	Pilot, LP, 35		SRV200-2630	Y
	Piezo Ignitor		291-513	Y
	Pilot Parts:			
	Pilot Assembly, NG		842-4280	Y
	Pilot Assembly, LP		Use LP Orifice	
	Thermocouple		200-2950	Y
	Thermopile		842-0250	Y
	Electrode w/Wire		842-4580	Y
	Snap disc, 125-20		SRV230-0960	Y
	Speed Control		842-0370	Y
	Switch, Burner	Rocker	SRV32D0232	Y
		No longer available	842-1660	

Additional service parts on following page.

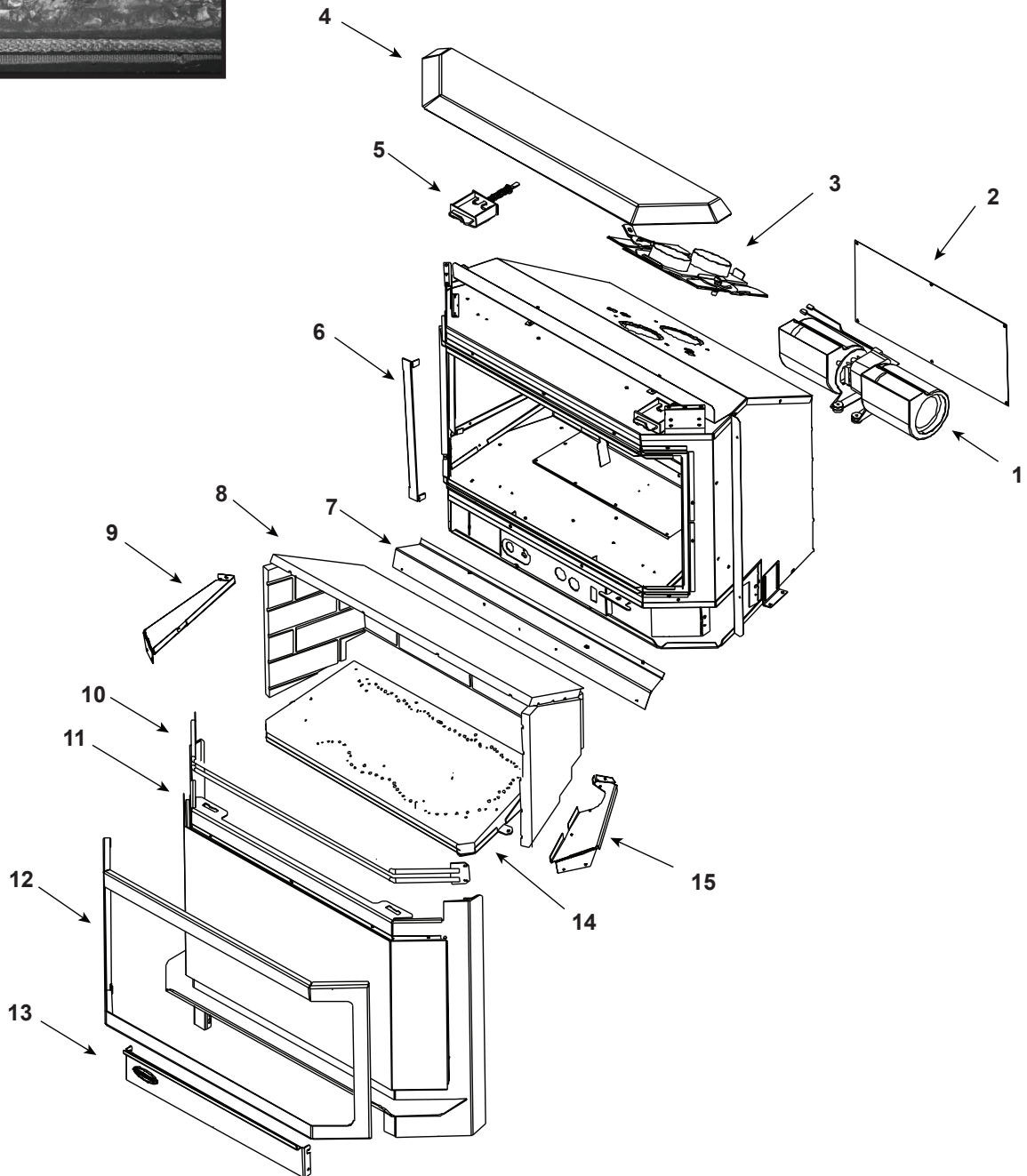
IMPORTANT: THIS IS DATED INFORMATION. When requesting service or replacement parts for your appliance please provide model number and serial number. All parts listed in this manual may be ordered from an authorized dealer.



**Stocked
at Depot**

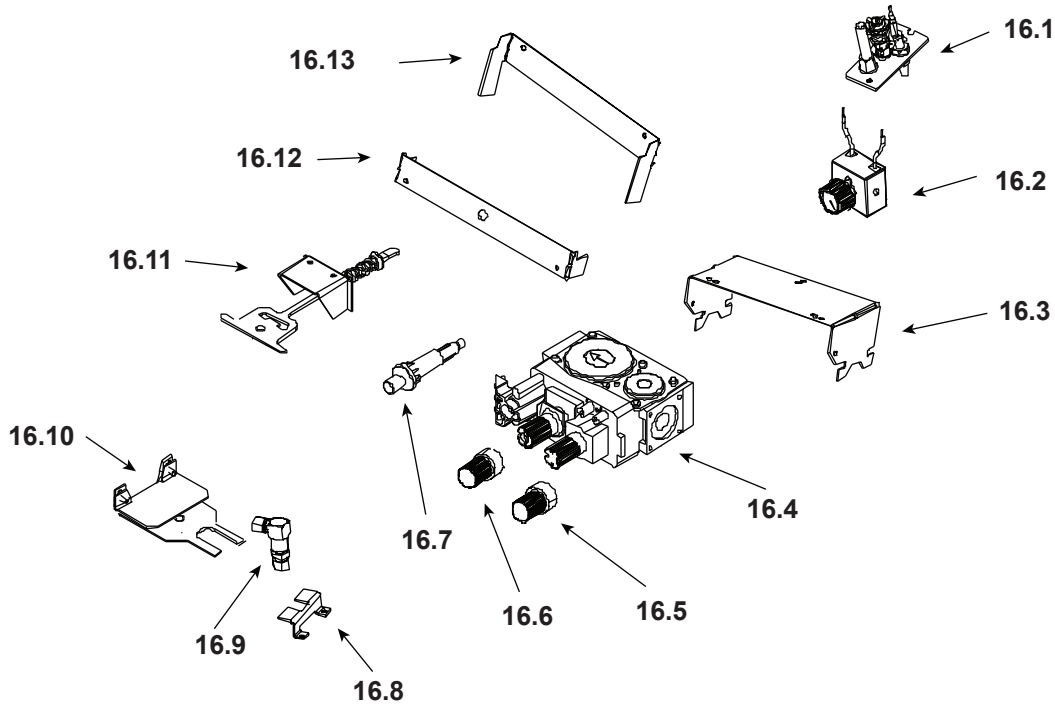
ITEM	DESCRIPTION	COMMENTS	PART NUMBER	
	Valves:			
	NG		842-0240	Y
	LP		842-0230	Y
	Regulator, NG		SRV230-1570	Y
	Regulator, LP		SRV230-1520	Y
	Wire Harness		462-0510	Y
	Mineral Wool	No longer available	200-2550	
	Lava Rock	No longer available	843-1440	
	Component Pack		842-5060	

Log Set Assembly



Part number list on following page.

#16 Bottom Firebox Assembly



IMPORTANT: THIS IS DATED INFORMATION. Parts must be ordered from a dealer or distributor. **Hearth and Home Technologies does not sell directly to consumers.** Provide model number and serial number when requesting service parts from your dealer or distributor.



Stocked at Depot

ITEM	DESCRIPTION	COMMENTS	PART NUMBER	
16.1	Pilot Assembly NG(for LP use LP Pilot Orifice)		7003-014	Y
	Pilot Assembly NG (with Injector)		842-4280	Y
16.2	Speed Control		842-0370	Y
16.3	Valve Bracket	No longer available	7008-112	
16.4	Valve NG		842-0240	Y
	Valve LP		842-0230	Y
16.5	Knob Extension, On/ Off		SRV37D0010	
16.6	Knob, Extension, HI/LO		571-533	Y
16.7	Piezo Ignitor		291-513	Y
16.8	Bulkhead Stop		SRV474-0090	
16.9	Bulkhead		26457	Y
16.10	Air shutter Assembly	No longer available	7002-016	
16.11	Latch Assembly		7003-005	Y
16.12	Burner Support, Front	No longer available	7002-132	
16.13	Burner support, Rear	No longer available	7002-127	
	Flex Assembly 24 in		2098-034	Y
	Orifice, NG .106		SRV19837	Y
	Orifice, LP .063		SRV17236	Y

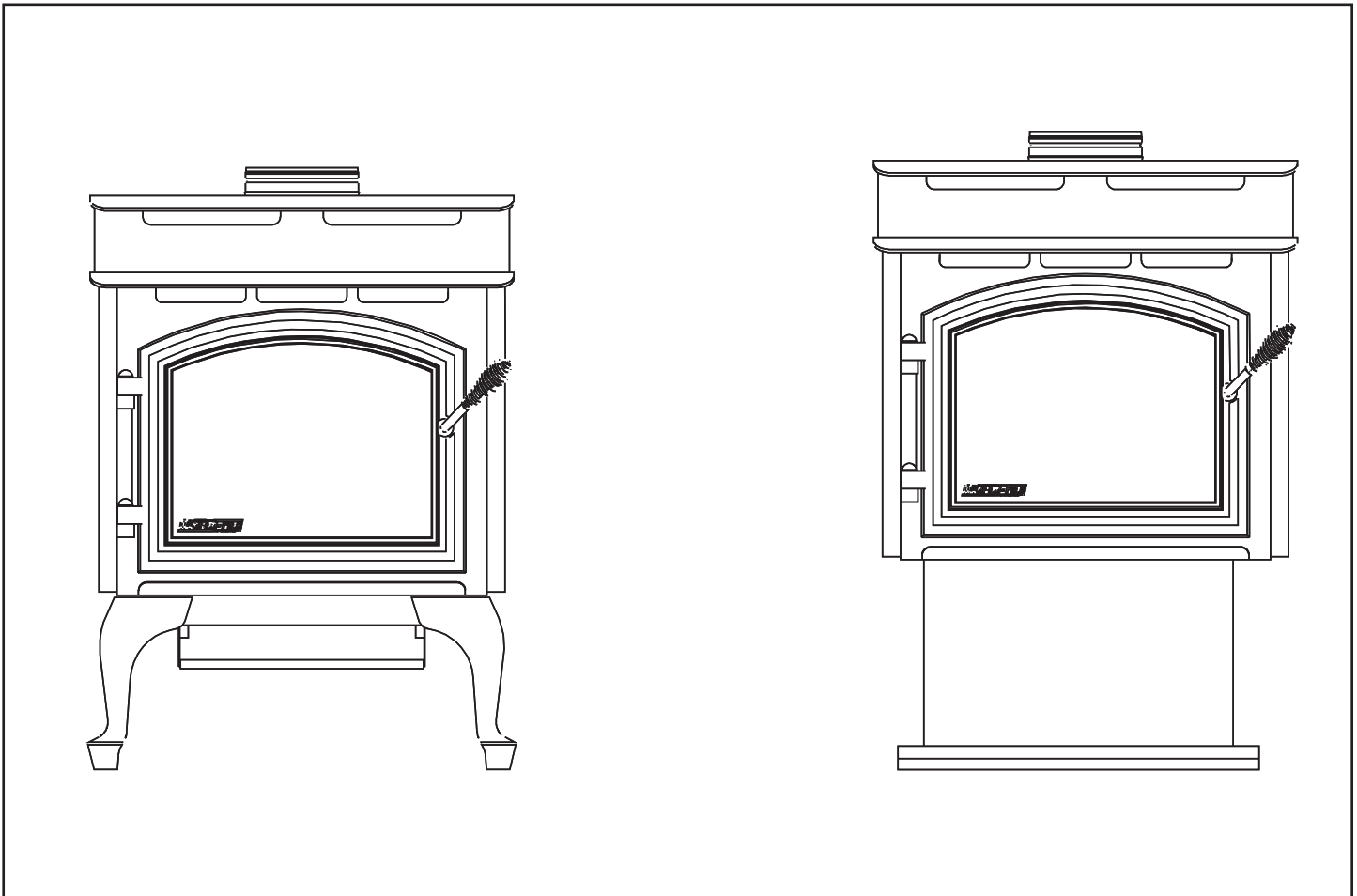
Additional service part numbers appear on following page.

Gas Stove

838-0170, 840-0170, 840-0180, 840-0270, 840-0330

Last unit SN #427285

Beginning Manufacturing Date: N/A
Ending Manufacturing Date: Oct 2000



IMPORTANT: THIS IS DATED INFORMATION. Parts must be ordered from a dealer or distributor. **Hearth and Home Technologies does not sell directly to consumers.** Provide model number and serial number when requesting service parts from your dealer or distributor.



Stocked at Depot

ITEM	DESCRIPTION	COMMENTS	PART NUMBER	
	Baffle	No longer available	842-3200	
	Blower		812-4900	Y
	Burner	No longer available	842-3270	
		No longer available	842-3280	Y
	Conversion Kits			
	Conversion Kit, NG	No longer available	842-3460	
		No longer available	842-4380	
	Conversion Kit, LP	No longer available	842-4370	
	Door Parts:			
	Door Handle Assembly		832-0540	Y
	Door Rope (Dealer Cuts to Size)	3/4" x 84"	832-1680	Y
	Glass Assembly		SRV7000-012	Y
	Glass Tabs	12 each	832-0380	Y

Additional service parts on following page

IMPORTANT: THIS IS DATED INFORMATION. Parts must be ordered from a dealer or distributor. **Hearth and Home Technologies does not sell directly to consumers.** Provide model number and serial number when requesting service parts from your dealer or distributor.



**Stocked
at Depot**

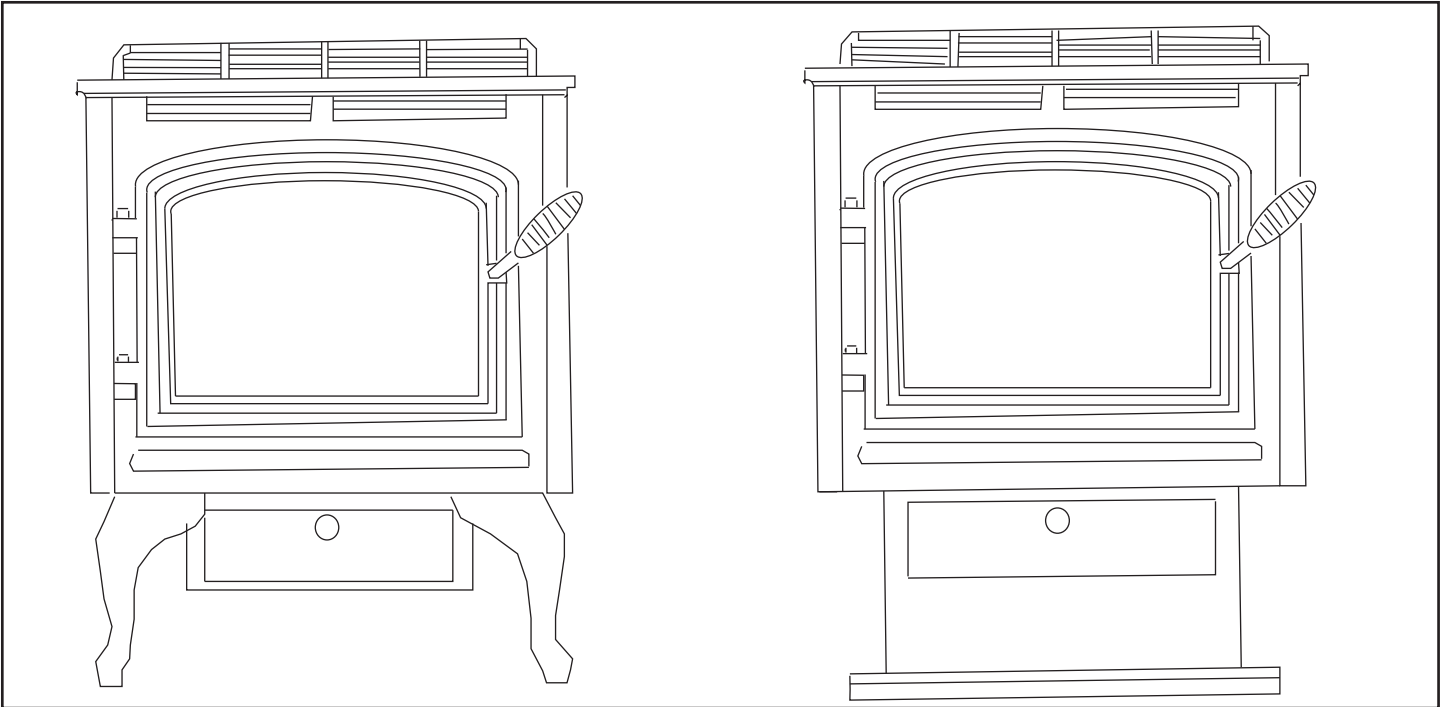
ITEM	DESCRIPTION	COMMENTS	PART NUMBER	
	Logs:			
	Log Set Complete	No longer available	842-3350	Y
	Nuggets	No longer available	841-0370	
	Orifices			
	Orifice, NG #49	No longer available	842-1220	
	Orifice, NG #39	No longer available	450-2320	Y
	Orifice, LP #55	No longer available	450-2340	Y
	Orifice, LP #54	No longer available	842-0880	
	Pilot Orifice, NG 62, EZ		842-4440	Y
	Pilot Orifice, NG .023, PSE	No longer available	842-3420	
	Pilot Orifice, LP 35, EZ		SRV200-2630	Y
	Pilot Orifice, LP .016, PSE	No longer available	842-3260	
	Orifice Insert #56	No longer available	842-1100	Y
	Piezo Igniter		291-513	Y
	Piezo Igniter Wire	No longer available	842-2080	
	Pilot Parts:			
	Electrode w/ Wire	EZ only	842-4580	Y
	Pilot Shield	No longer available	842-3610	
	Pilot w/ Injector, NG	EZ	842-4230	Y
	Pilot, LP		Use LP Pilot Orifice	
	Thermocouple	EZ	200-2950	Y
	Thermocouple	PSE	SRV72956	Y
	Thermopile		842-0250	Y
	Shutter Replacement	No longer available	842-3990	
	Shutter Retainer	No longer available	842-4330	
	Speed Control		842-0370	Y
	Switch, Burner, Toggle	No longer available	842-1660	
	Valve Parts:			
	Valve, NG		842-0240	Y
	Valve, LP		842-0230	Y
	Regulator, NG		SRV230-1570	Y
	Regulator, LP		SRV230-1520	Y
	Vent Rstr Stra.	No longer available	842-3330	
	Wire Harness	No longer available	842-3240	
	Snap Disc		SRV230-0960	Y

Gas Stove - DV

Beginning Manufacturing Date: N/A
Ending Manufacturing Date: May 1999

840-0030, 840-0040, 840-0070, 840-0080

Last unit SN #205812



IMPORTANT: THIS IS DATED INFORMATION. Parts must be ordered from a dealer or distributor. **Hearth and Home Technologies does not sell directly to consumers.** Provide model number and serial number when requesting service parts from your dealer or distributor.



Stocked at Depot

ITEM	DESCRIPTION	COMMENTS	PART NUMBER	
	Baffle	No longer available	842-0760	
	Blower Only	No longer available	842-1510	
	Burners:			
	Front Burner	No longer available	842-3620	
	Back Burner	No longer available	842-3630	
	Conversion Kits:			
	Conversion Kit, NG	No longer available	842-0841	
	Pilot Hood, 3-Flame		200-3000	Y
	Regulator, NG		SRV230-1570	Y
	Pilot Assembly, Side MT, E-Z	No longer available	230-1710	
	Plug, Orifice Insert #39	No longer available	450-2320	
	Plug, Orifice Insert #46	No longer available	842-1190	
	Conversion Kit, LP	No longer available	842-0851	
	Injector, Pilot EZ, LP		SRV200-2630	Y
	Pilot Hood, 3-Flame		200-3000	Y
	Regulator, LP		SRV230-1520	Y
	Pilot Assembly, Side MT, E-Z, NG	No longer available	230-1710	
	Plug, Orifice Insert #55	No longer available	450-2340	
	Plug, Orifice Insert #52	No longer available	450-2650	

Additional service parts on following page

Beginning Manufacturing Date: N/A
Ending Manufacturing Date: May 1999

IMPORTANT: THIS IS DATED INFORMATION. Parts must be ordered from a dealer or distributor. **Hearth and Home Technologies does not sell directly to consumers.** Provide model number and serial number when requesting service parts from your dealer or distributor.



**Stocked
at Depot**

ITEM	DESCRIPTION	COMMENTS	PART NUMBER	
	Door Parts			
	Door Handle Assembly		832-0540	Y
	Glass	No longer available	842-0400	
	Glass Tabs		832-0380	
	Rope	3/4"	842-2350	Y
	Spring Handle		832-0620	Y
	Hinge Pin w/ Set Screw		832-0250	
	Glass Tape	3/4" x 5'	832-0460	Y
	Logs:			
	Log Complete Set	No longer available	842-0770	
	Log Rack	No longer available	842-0930	
	Orifices:			
	Front Burner Orifice, NG, #46	No longer available	842-1190	
	Front Burner Orifice, LP, #55	No longer available	450-2340	
	Back Burner Orifice, NG, #39	No longer available	450-2320	
	Back Burner Orifice, LP, #52	No longer available	450-2650	
	Pilot Orifice, NG, 51	No longer available	200-2420	
	Pilot Orifice, LP, 35	No longer available	842-4450	
	Piezo Igniter		291-513	Y
	Piezo Igniter Wire	No longer available	842-2080	
	Pilot Parts:			
	NG or LP Pilot, EZ	No longer available	842-4240	
	Must use 3-Flame Hood w/ 842-4240		200-3000	Y
	Thermocouple, EZ		200-2950	Y
	Thermocouple		842-0390	Y
	Thermopile		842-0250	Y
	Snap Disc, 125		SRV230-0470	Y
	Speed Control		842-0370	Y
	Switch, Burner, toggle	No longer available	842-1660	
	Valves			
	Valve, NG		842-0240	Y
	Valve, LP		842-0230	Y

Gas Stove- Robertshaw

Beginning Manufacturing Date: N/A
Ending Manufacturing Date: Oct 1999

839-0010, 839-0020, 839-0030, 839-0040, 839-0050,
839-0060, 839-0070, 839-0080, 839-0090, 839-0100
Last Serial Number GA473458



IMPORTANT: THIS IS DATED INFORMATION. Parts must be ordered from a dealer or distributor. **Hearth and Home Technologies does not sell directly to consumers.** Provide model number and serial number when requesting service parts from your dealer or distributor.



**Stocked
at Depot**

ITEM	DESCRIPTION	COMMENTS	PART NUMBER	
	AVK Repair Kit	No longer available	844-0960	
	Blower	No longer available	20946A	
	Burner	No longer available	844-2250	
	Conversion Kits:			
	Conversion Kit, NG	No longer available	844-9040	
	Conversion Kit, LP	No longer available	844-0400	
	Door Parts:			
	Glass w/ Gasket	No longer available	844-5020	
	Glass Gasket		832-0460	Y
	Handle Assembly	No longer available	844-5740	
	Inner Flue Extension	No longer available	844-0970	

Additional service parts on following page.

IMPORTANT: THIS IS DATED INFORMATION. Parts must be ordered from a dealer or distributor. **Hearth and Home Technologies does not sell directly to consumers.** Provide model number and serial number when requesting service parts from your dealer or distributor.



**Stocked
at Depot**

ITEM	DESCRIPTION	COMMENTS	PART NUMBER	
	Logs:			
	Complete Log Set, Pre 1296	No longer available	21107A	
	Complete Log Set	No longer available	34016	
	Log Bracket, Pre 1296	No longer available	844-1010	
	Log Bracket	No longer available	25077A	
	Mineral Wool		050-721	
	Orifices:			
	Orifice, NG		SRV19837	Y
	Orifice, LP		SRV17236	Y
	NG Pilot Orifice		SRV446-505	Y
	LP Pilot Orifice	No longer available	844-7570	
	Piezo Igniter		291-513	Y
	Pressure Relief Assembly	No longer available	844-6300	
	Pressure Relief Gasket	No longer available	24949A	
	Pilot Parts:			
	Pilot, NG, No Thermocouple Pre 1296		SRV4021-728	Y
	Pilot, LP, No thermocouple Pre 1296		SRV4021-729	Y
	Pilot, NG		SRV25174	Y
	Pilot, LP	No longer available	25175	
	Thermocouple		SRV72956	Y
	Thermopile		842-0250	Y
	Pilot Tube w/ Fittings		SRV446-301	Y
	Snap Disc, 120	No longer available	SRV23998	
	Speed Control		842-0370	Y
	Switch, Burner		SRV32D0232	Y
	Switch, Auto Fan	No longer available	14212A	
	Touchup Paint			
	Matte Black Touch-Up Paint	Can, 4oz	812-0910	
	Black Touch-Up Paint	No longer available	855-0410	
	Crème Touch-Up Paint	No longer available	855-0390	
	Green Touch-Up Paint	No longer available	855-0420	
	Blue Touch-Up Paint	No longer available	855-0400	
	Valves:			
	NG Valve		SRV24033	Y
	LP Valve		SRV24034	Y
	NG Valve, No Thermocouple Pre 1296	No longer available	844-2020	
	LP Valve, No Thermocouple Pre 1296		SRV25810	Y
	Regulator, NG		SRV060-518	Y
	Regulator, LP	No longer available	SRV19900	

Gas Stove- S.I.T
 839-0710, 839-0730, 839-0740, 839-0750, 839-0760
 Beginning SN # GA473459
 Last unit SN #GA703351

Beginning Manufacturing Date: Oct 1999
 Ending Manufacturing Date: June 2001



IMPORTANT: THIS IS DATED INFORMATION. Parts must be ordered from a dealer or distributor. **Hearth and Home Technologies does not sell directly to consumers.** Provide model number and serial number when requesting service parts from your dealer or distributor.



Stocked at Depot

ITEM	DESCRIPTION	COMMENTS	PART NUMBER	
	Blowers:			
	Blower Kit		BK-GAS	
	Blower Gas Adapter		BK-GAS-ADPT	
	Blower Only		812-4900	Y
	Burner	No longer available	844-8150	
	Conversion Kits:			
	Conversion Kit, NG	No longer available	844-8230	
	Conversion Kit, LP	No longer available	844-8240	
	Door Parts:			
	Glass Gasket (Dealer cuts to size)	No longer available	844-3010	
	Glass w/ Gasket	No longer available	844-8580	
	Log Set	No longer available	844-8510	
	Log Rack	No longer available	844-9430	
	Pilot Shelf	No longer available	467-0010	

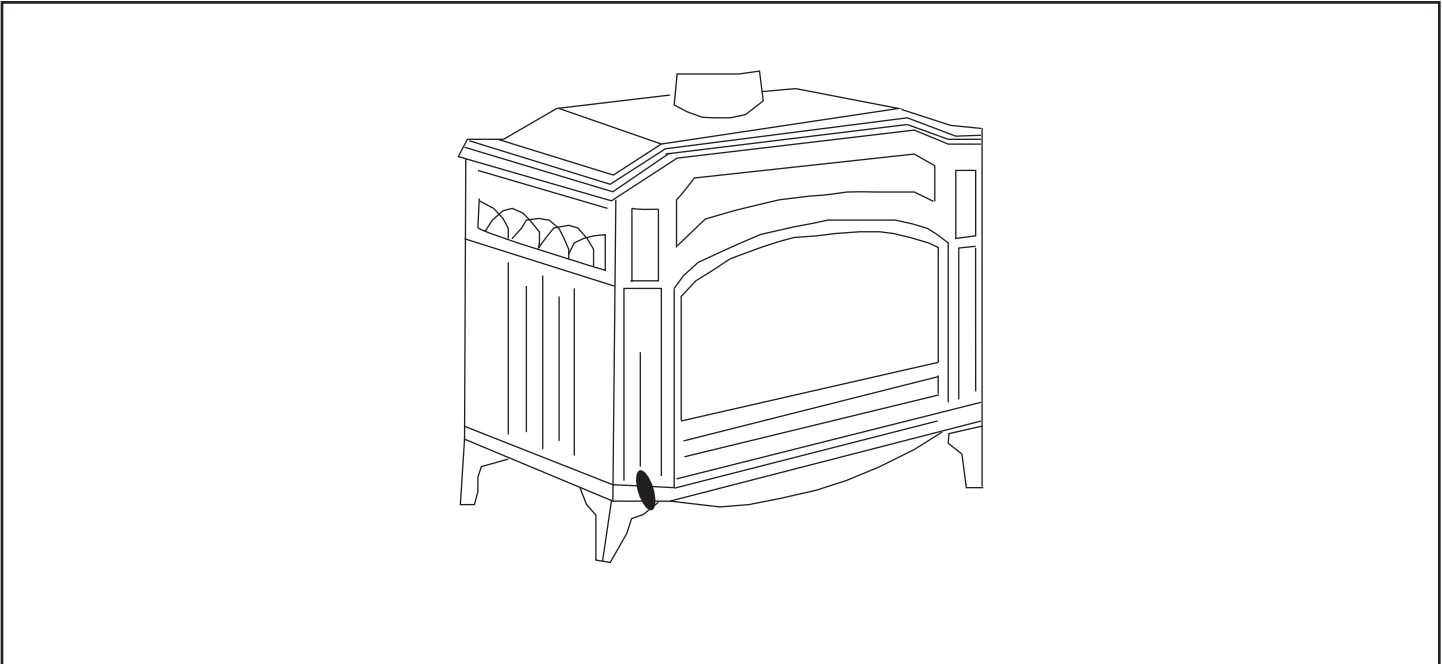
Additional service parts on following page.

IMPORTANT: THIS IS DATED INFORMATION. Parts must be ordered from a dealer or distributor. **Hearth and Home Technologies does not sell directly to consumers.** Provide model number and serial number when requesting service parts from your dealer or distributor.



Stocked at Depot

ITEM	DESCRIPTION	COMMENTS	PART NUMBER	
	Mineral Wool		050-721	
	Orifices:			
	Orifice, NG .106		SRV19837	
	Orifice, LP .063		SRV17236	
	Pilot Orifice, NG, PSE		SRV2103-116	Y
	Pilot Orifice, NG, EZ, #62		842-4440	Y
	Pilot Orifice, LP, PSE	No longer available	844-8490	
	Pilot Orifice, LP, EZ, 335		SRV200-2630	Y
	Piezo Igniter		291-513	
	Adapter, Inner Flue Extension		200-2470	
	Brass Elbow		SRV17524	
	Bulkhead, Elbow	No longer available	35403	
	3/8 Flare x 3/8 NPT Elbow		SRV4021-045	
	Pilot Parts:			
	Electrode w/ Wire		842-4580	Y
	LP Pilot		Use LP Pilot Orifice	
	NG Pilot Retrofit Kit	No longer available	842-4650	
	NG Pilot, EZ	Post 700750	842-4280	Y
	Thermocouple, EZ	Post 700750	200-2950	
	Thermocouple, PSE	Pre 700750	SRV72956	Y
	Themopile		842-0250	Y
	Snap Disc	No longer available	833-0450	
	Speed Control		842-0370	Y
	Switch, Auro/Fan	No longer available	14212A	
	Switch, Burner, Rocker		SRV32D0232	Y
	Touch-Up Paint, MBK, 4 oz. can		812-0910	
	Touch-Up Paint, PBK	No longer available	855-0410	
	Touch-Up Paint, PCR	No longer available	855-0390	
	Touch-Up Paint, PGR	No longer available	855-0420	
	Touch-Up Paint, PBL	No longer available	855-0400	
	Valves: First SIT Valve GA473459			
	LP Valve, SIT		842-0230	Y
	NG Valve, SIT		842-0240	Y
	Regulator NG		SRV230-1570	Y
	Regulator LP		SRV230-1520	Y
	Wool Tray	No longer available	24041	



IMPORTANT: THIS IS DATED INFORMATION. Parts must be ordered from a dealer or distributor. **Hearth and Home Technologies does not sell directly to consumers.** Provide model number and serial number when requesting service parts from your dealer or distributor.



Stocked at Depot

ITEM	DESCRIPTION	COMMENTS	PART NUMBER	
	AVK Repair Kit	No longer available	844-0960	
	Blower Parts:			
	Blower Adapter		BK-GAS-ADPT	
	Blower Kit		BK-GAS	
	Burner Parts			
	Burner , S Style	No longer available	844-5010	
	Burner Supply Tube	No longer available	844-6370	
	Conversion Kits			
	Conversion Kit, NG	No longer available	order separate parts	
	Conversion Kit, LP	No longer available	order separate parts	
	Door Parts			
	Carriage Bolt	No longer available	25636/10	
	Door Assembly	No longer available	844-9181	
	Door Handle Assembly	No longer available	834-1670	
	Glass Frames		See Retro Kit	
	Glass Gasket		832-0460	Y
	Glass w/ Gasket	No longer available	844-3470	
	Hinge Bar, Main Door	No longer available	834-1660	
	Latch, Door	No longer available	834-1270	
	Nut, Keys Lock	Pkg of 20	226-0050/20	
	Push Nut	No longer available	25637/25	

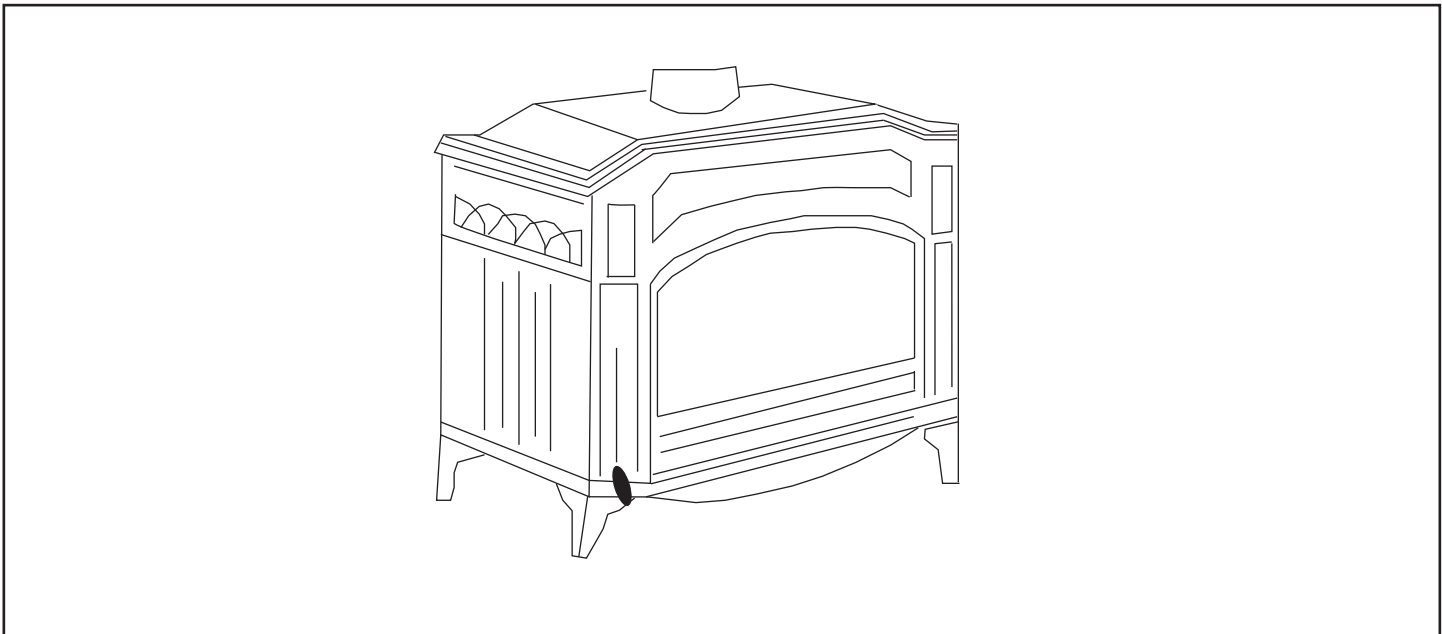
Additional service parts on following page

IMPORTANT: THIS IS DATED INFORMATION. Parts must be ordered from a dealer or distributor. **Hearth and Home Technologies does not sell directly to consumers.** Provide model number and serial number when requesting service parts from your dealer or distributor.



**Stocked
at Depot**

ITEM	DESCRIPTION	COMMENTS	PART NUMBER	
	Flue Restrictor	No longer available	844-5100	
	Inner Flue Extension		200-2470	
	Logs, Complete Set	No longer available	24233A	
	Back Log	No longer available	SRV24109	
	Front Log	No longer available	24110B	
	Top Left Log	No longer available	SRV24111	
	Top Middle Log	No longer available	SRV24112	
	Top Right Log	No longer available	SRV24113	
	Mineral Wool		050-721	
	Orifices:			
	Burner Orifice, NG, .128	No longer available	21637	
	Burner Orifice, LP, .070		SRV18678	Y
	Pilot Orifice, NG, .018		SRV446-505	Y
	Pilot Orifice, LP, .014	No longer available	73430	
	Piezo Igniter		291-513	Y
	Pilot Parts:			
	Pilot, NG		SRV25174	Y
	Pilot, LP	No longer available	25175	
	Pilot Tube w/ Fittings		SRV446-301	Y
	Thermocouple		SRV72956	Y
	Thermopile		842-0250	Y
	Snap Disc, 115	No longer available	14213	
	Speed Control		842-0370	Y
	Switch, Auto/Man	No longer available	14212A	
	Switch, Burner, rocker		SRV32D0232	Y
	Touch-up Paints			
	Touch-Up Paint, MBK, 4 oz. can		812-0910	
	Touch-Up Paint, PBK	No longer available	855-0410	
	Touch-Up Paint, PGR	No longer available	855-0420	
	Touch-Up Paint, PBL	No longer available	855-0400	
	Valve Parts:			
	Valve, NG		SRV24033	Y
	Valve, LP		SRV24034	Y
	Regulator, NG		SRV060-518	Y
	Regulator, LP	No longer available	SRV19900	



IMPORTANT: THIS IS DATED INFORMATION. Parts must be ordered from a dealer or distributor. **Hearth and Home Technologies does not sell directly to consumers.** Provide model number and serial number when requesting service parts from your dealer or distributor.



**Stocked
at Depot**

ITEM	DESCRIPTION	COMMENTS	PART NUMBER	
	AVK Repair Kit	No longer available	844-0960	
	Air Shutter Tool	No longer available	844-6320	
	Blower Parts:			
	Blower Adapter		BK-GAS-ADPT	
	Blower Kit		BK-GAS	
	Burner Parts:			
	Burner , U Shaped	No longer available	844-5220	
	Burner Supply Tube	No longer available	844-5030	
	Conversion Kits			
	Conversion Kit, NG	No longer available	844-2050	
	Conversion Kit, LP	No longer available	844-2060	
	Door Parts			
	Carriage Bolt	No longer available	25636/10	
	Door Assembly	No longer available	844-9181	
	Door Handle Assembly	No longer available	834-1670	
	Glass Frames		See Retro Kit	
	Glass Gasket		832-0460	Y
	Glass w/ Gasket	No longer available	844-3470	
	Hinge Bar, Main Door	No longer available	834-1660	
	Latch, Door	No longer available	834-1270	
	Nut, Keys Lock	Pkg of 20	226-0050/20	
	Push Nut	No longer available	25637/25	

Additional service parts on following page

IMPORTANT: THIS IS DATED INFORMATION. Parts must be ordered from a dealer or distributor. **Hearth and Home Technologies does not sell directly to consumers.** Provide model number and serial number when requesting service parts from your dealer or distributor.



**Stocked
at Depot**

ITEM	DESCRIPTION	COMMENTS	PART NUMBER	
	Flame Enhancement Kit	No longer available	844-6840	
	Flue Restrictor	No longer available	844-5100	
	Inner Flue Extension		200-2470	
	Logs, Complete Set	No longer available	25738	
	Back Log	No longer available	SRV25159	
	Front Log Assembly	No longer available	25161	
	Log	No longer available	SRV25655	
	Mineral Wool		050-721	
	Orifices			
	Burner Orifice, NG, Back, .096		13844	Y
	Burner Orifice, LP, Back, .059		SRV13445	Y
	Burner Orifice, NG, Front, .089		SRV14046	Y
	Burner Orifice, LP, Front, .052		SRV14047	Y
	Pilot Orifice, NG, .018		SRV446-505	Y
	Pilot Orifice, LP, .014	No longer available	73430	
	Piezo Igniter		291-513	Y
	Pilot Parts:			
	Pilot, NG		SRV25174	Y
	Pilot, LP	No longer available	25175	
	Pilot Tube w/ Fittings		SRV446-301	Y
	Thermocouple		SRV72956	Y
	Thermopile		842-0250	Y
	Snap Disc, 115	No longer available	14213	
	Speed Control		842-0370	
	Switch, Auto/Man	No longer available	14212A	
	Switch, Burner, rocker		SRV32D0232	Y
	Touch-up Paints			
	Touch-Up Paint, MBK, 4 oz. can		812-0910	
	Touch-Up Paint, PBK	No longer available	855-0410	
	Touch-Up Paint, PCR	No longer available	855-0390	
	Touch-Up Paint, PGR	No longer available	855-0420	
	Touch-Up Paint, PBL	No longer available	855-0400	
	Valve Parts:			
	Valve, NG		SRV24033	Y
	Valve, LP		SRV24034	Y
	Regulator, NG		SRV060-518	Y
	Regulator, LP	No longer available	SRV19900	
	On / Off Valve		SRV15697	Y

**Gas Insert - DV
840-0160, 840-0150
Last SN #401763**

**Beginning Manufacturing Date: N/A
Ending Manufacturing Date: Sept 2000**



Part number list on following page.

11/22

Beginning Manufacturing Date: N/A
Ending Manufacturing Date: Sept 2000

IMPORTANT: THIS IS DATED INFORMATION. Parts must be ordered from a dealer or distributor. **Hearth and Home Technologies does not sell directly to consumers.** Provide model number and serial number when requesting service parts from your dealer or distributor.



**Stocked
at Depot**

ITEM	DESCRIPTION	COMMENTS	PART NUMBER	
	Baffle	No longer available	842-2630	
	Blower Kit		812-4900	Y
	Brick Set	No longer available	842-2760	
	Burner	No longer available	842-3720	
	Conversion Kits:			
	NG Conversion Kit, EZ	No longer available	842-3960	
	LP Conversion Kit, EZ	No longer available	842-3970	
	Door Parts:			
	Glass Gasket		832-0460	Y
	Glass w/ Gasket		842-2670	
	Logs, Complete Set	No longer available	842-2700	
	Nuggets	No longer available	841-0370	
	Orifices			
	Burner Orifice, NG, #33	No longer available	450-5460	
	Burner Orifice, LP, #51	No longer available	450-5470	
	Pilot Orifice, NG, 51	No longer available	200-2420	
	Pilot Orifice, LP, 35	No longer available	842-4450	
	Pilot Orifice, NG, EZ, 62		842-4440	Y
	Pilot Orifice, LP, EZ, 35		SRV200-2630	Y
	Piezo Igniter		291-513	Y
	Pilot Parts:			
	Pilot, NG, EZ		842-4230	Y
	Pilot, LP		Use LP Pilot Orifice	
	Thermocouple		842-1580	Y
	Thermocouple, EZ		200-2950	Y
	Themopile		842-0250	Y
	Electrode w/ Wire	EZ only	842-4580	Y
	Snap Disc, 125	125	SRV230-0960	Y
	Speed Control		842-0370	Y
	Switch	No longer available	842-1660	
	Valves:			
	Valve, NG		842-0240	Y
	Valve, LP		842-0230	Y
	Regulator, NG		SRV230-1520	Y
	Regulator, LP		SRV230-1570	Y
	Wire Harness	No longer available	450-5340	
	Component Pack	No longer available	842-2930	
	Latch Magnet	No longer available	842-2240	

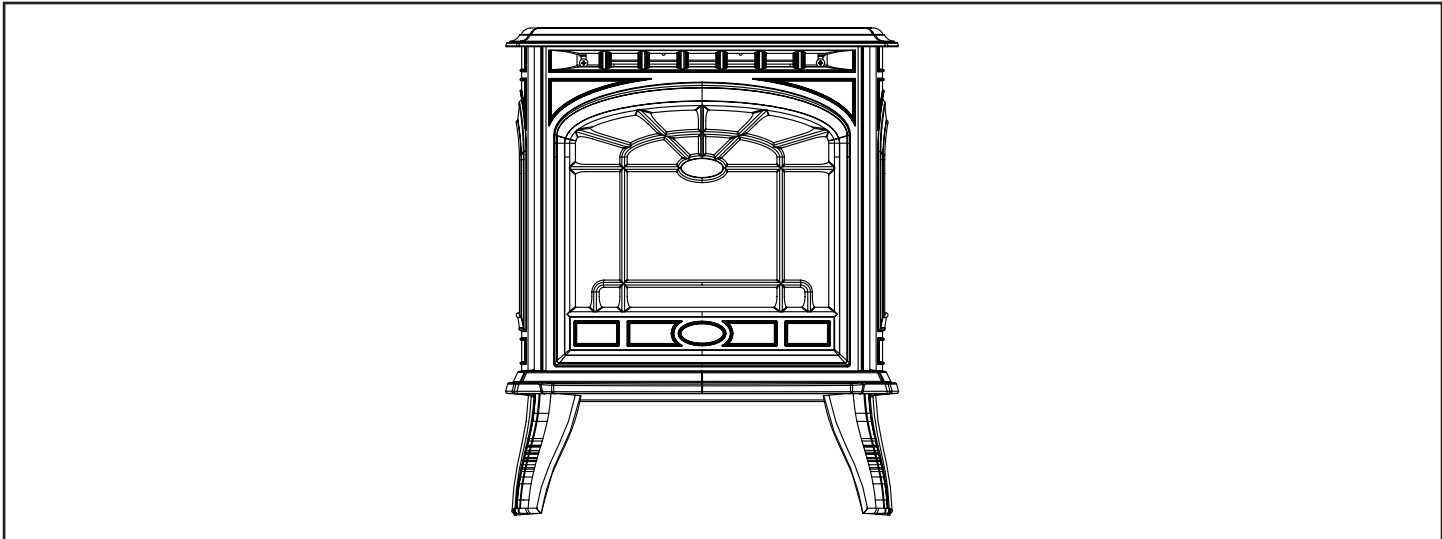
Gas Stove - DV

Beginning Manufacturing Date: July 2001

Last unit SN #1231053

Ending Manufacturing Date: June 2004

Color	SKU No.	Mfg. Dates
Matte Black	839-1110	7/01 - 6/04
Porcelain Creme	839-1120	7/01 - 5/04
Porcelain Green	839-1130	7/01 - 5/04
Porcelain Mahogany	839-1140	4/02 - 5/04
Porcelain Midnite Blue	839-1150	4/02 - 4/04
	839-1151	4/03 - 5/04



IMPORTANT: THIS IS DATED INFORMATION. Parts must be ordered from a dealer or distributor. **Hearth and Home Technologies does not sell directly to consumers.** Provide model number and serial number when requesting service parts from your dealer or distributor.



**Stocked
at Depot**

ITEM	DESCRIPTION	COMMENTS	PART NUMBER	
	Baffle	No longer available	464-0070	
	Back Shield	No longer available	464-0080	
	Blower	No longer available	844-9370	
	Burner	No longer available	844-9580	
	Inner Flue Extension		200-2470	
	Cast Parts			
	Front Plate	No longer available	464-0160	
	Side Plate, Short Legs	No longer available	464-0150	
	Top Plate	Black	464-0140MBK	
		No longer available	464-0140POR	
		No longer available	464-0140PWD	
	Component Pack	No longer available	844-9610	
	Conversion Kit LP	No longer available	LPK-TP	
	Conversion Kit NG	No longer available	NGK-TP	
	Door Parts			
	Door Assembly w/ Glass	No longer available	464-5070	
	Door Frame	No longer available	464-0060	
	Draw Latch		229-0640	Y
	Glass	No longer available	7016-023	
	Glass Gasket	No longer available	844-3010	

Additional service parts on following page.

IMPORTANT: THIS IS DATED INFORMATION. Parts must be ordered from a dealer or distributor. **Hearth and Home Technologies does not sell directly to consumers.** Provide model number and serial number when requesting service parts from your dealer or distributor.

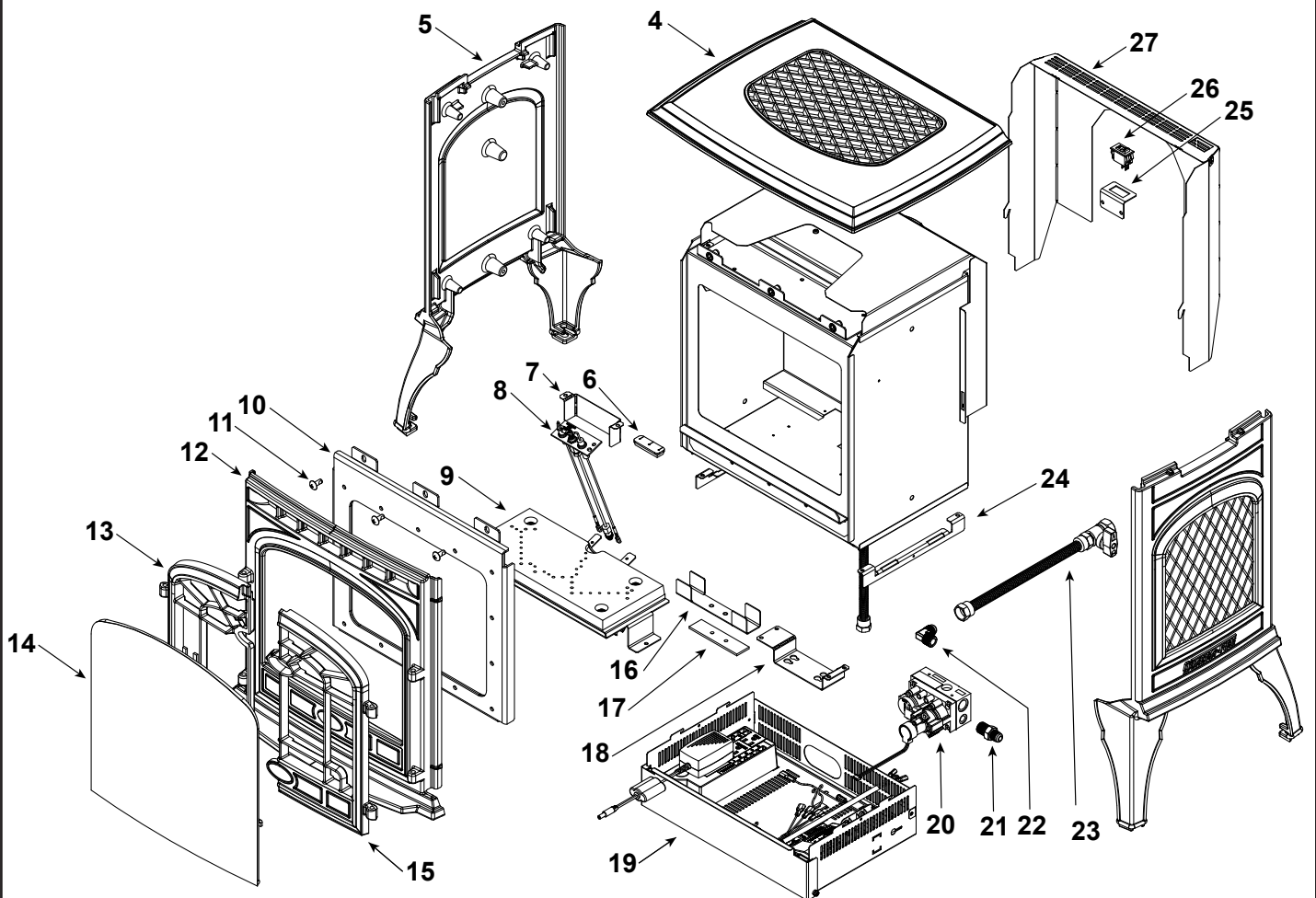
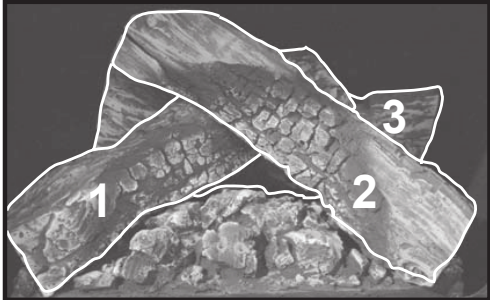


**Stocked
at Depot**

ITEM	DESCRIPTION	COMMENTS	PART NUMBER	
	Magnet, Access Door		SRV229-0631	
	Lava Rock		4021-295	
	Log Set	No longer available	842-4980	
	Orifices			
	Burner Orifice, NG, .078		SRV24005	Y
	Burner Orifice, NG, 073		SRV24220	Y
	Burner Orifice, LP, .046	No longer available	230-1870	
	Burner Orifice, LP, .043	No longer available	844-9590	
	Pilot Orifice EZ, NG, #62		842-4440	Y
	Pilot Orifice EZ, LP, #35		SRV200-2630	Y
	Pilot Parts			
	NG EZ Pilot		842-4280	Y
	LP EZ Pilot		Use LP Pilot Orifice	
	Thermocouple		200-2950	Y
	Thermopile		842-0250	Y
	Electrode w/ Wire		842-4580	Y
	Power Cord		832-2410	Y
	Relief Door	No longer available	464-5050	
	Gasket, Relief door	No longer available	464-0270	
	Restrictor Plate	No longer available	464-0310	
	Restrictor Slide	No longer available	464-0320	
	Rocker Switch		SRV32D0232	Y
	Snap Disc, 125		SRV230-0960	Y
	Speed Control		842-0370	Y
	Speed Control Knob	No longer available	844-2640	
	Touch up Paint			
	Touch-Up Paint, Matte Black	4 oz	812-0910	
	Touch-Up Paint, Enamel Crème	No longer available	855-0390	
	Touch-Up Paint, Enamel Green	No longer available	855-0420	
	Valve Access Door		464-5060	
	Valve Parts:			
	Valve, NG, S.I.T		842-0240	Y
	Valve, LP, S.I.T		842-0230	Y
	Cable / Switch Assembly	No longer available	230-1900	
	Ignition Module		230-1880	Y
	Regulator NG	No longer available	SRV230-1570	
	Regulator LP		SRV230-1520	Y

GARN-D-CSB-IPI, GARN-MBK-IPI, GARN-D-MBK-IPI, GARN-D-PMH-IPI

Log Set Assembly



Part number list on following page.

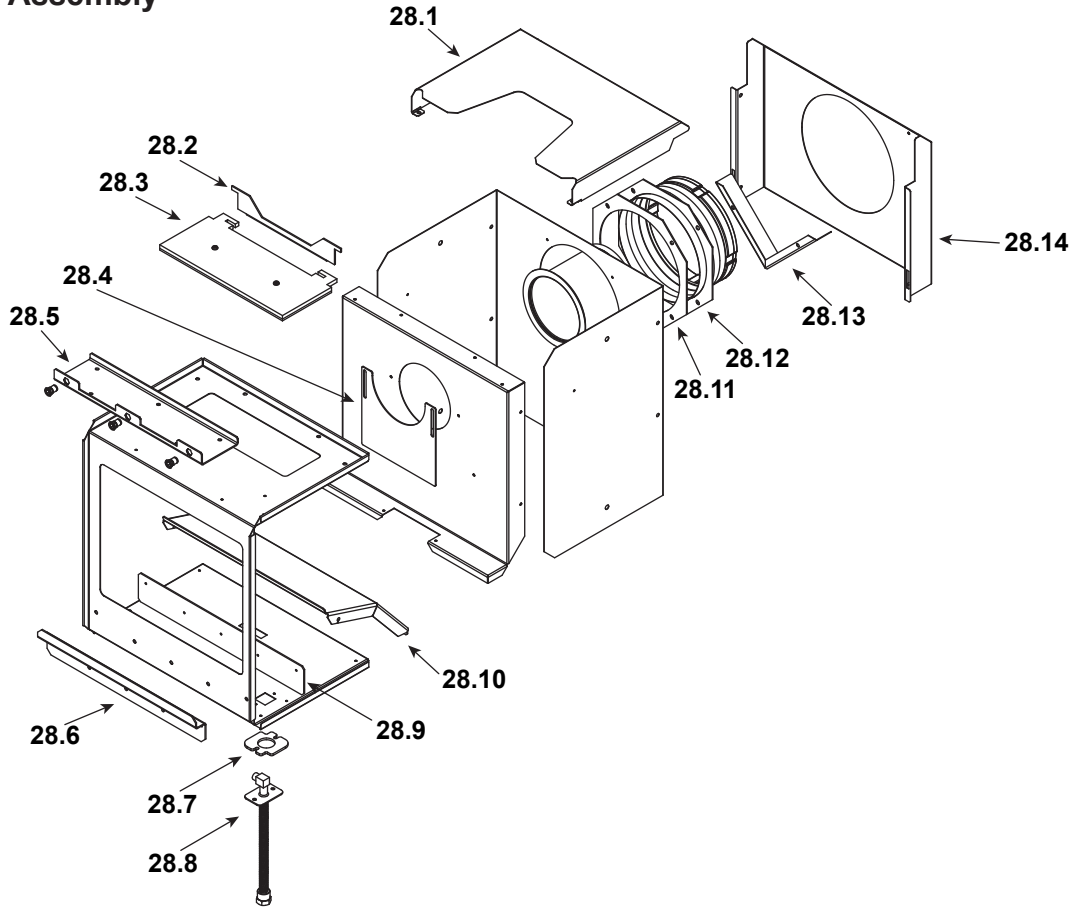
IMPORTANT: THIS IS DATED INFORMATION. Parts must be ordered from a dealer or distributor. **Hearth and Home Technologies does not sell directly to consumers.** Provide model number and serial number when requesting service parts from your dealer or distributor.



**Stocked
at Depot**

ITEM	DESCRIPTION	COMMENTS	PART NUMBER	
	Log Assembly		LOGS-GARNET	Y
1	Log Left		SRV7016-171	
2	Log Right		SRV7016-170	
3	Log Rear		SRV7016-172	
4	Top	Black	464-0140MBK	
		Sienna Bronze	464-0140CSB	
		Mahogany	464-0140PMH	
5	Side - Powder Coat	Black	7016-109MBK	
		Sienna Bronze	7016-109CSB	
		Mahogany	7016-109PMH	
6	Grommet		SRV2118-420	
7	Pilot Shield		SRV2344-103	
8	Pilot Assembly, NG		SRV2090-012	Y
	Pilot Assembly, LP		2090-013	Y
9	Burner Assembly		SRV2344-007	Y
10	Glass Assembly		GLA2344-019	Y
	Button Head, 1/4-20x5/8 Black	Pkg of 10	1201529-10	
11	Screw, 1/4-20 x 5/8	Pkg of 24	220-0440/24	Y
12	Front Mill	Black	7016-106MBK	
		Sienna Bronze	7016-106CSB	
		Mahogany	7016-106PMH	
13	Door Left	Black	7016-108MBK	
		Sienna Bronze	7016-108CSB	
		Mahogany	7016-108PMH	
14	Screen, Garnet		7016-040	
15	Door Right	Black	7016-107MBK	
		Sienna Bronze	7016-107CSB	
		Mahogany	7016-107PMH	
16	Shutter Assembly		SRV2344-154	
17	Air Shutter Bracket Gasket		2342-159	
18	Valve Bracket		SRV2344-104	
19	Component Tray Assembly		See Following Pages	
20	Valve, IPI (NG)		SRV2166-302	Y
	Valve, IPI (LP)		2166-303	Y
21	Male Connector		SRV4021-045	Y
22	Elbow, 3/8	Pkg of 5	303-315/5	Y
23	Ball Valve Assembly, 24"		3-40-2098034	Y
24	Component Tray Bracket	Qty 2 req	SRV2344-151	
25	Switch Bracket		SRV2344-143	
26	On/Off, Switch		SRV32D0232	Y
27	Fan Shroud		SRV2344-140	

28 Firebox Assembly



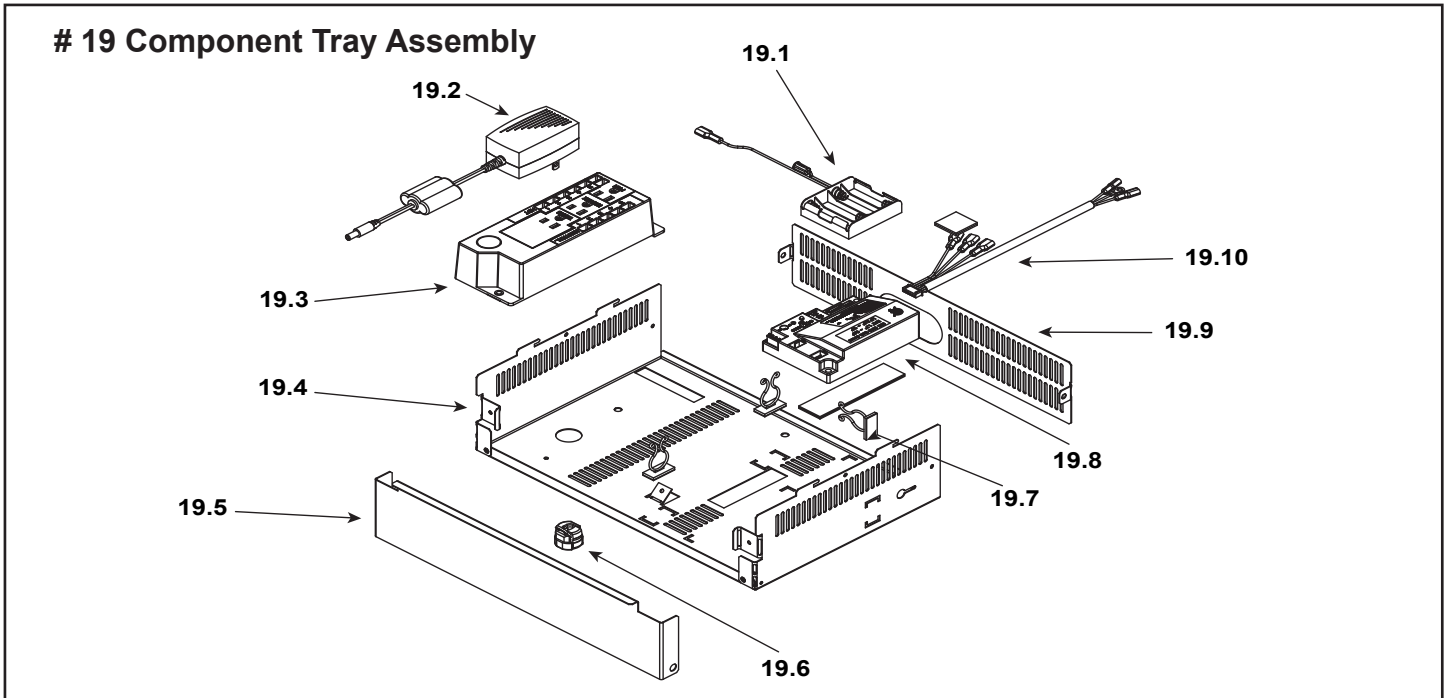
IMPORTANT: THIS IS DATED INFORMATION. Parts must be ordered from a dealer or distributor. **Hearth and Home Technologies does not sell directly to consumers.** Provide model number and serial number when requesting service parts from your dealer or distributor.



Stocked at Depot

ITEM	DESCRIPTION	COMMENTS	PART NUMBER	
28.1	Blower Shroud Top		SRV2344-118	
28.2	Relief Door Bracket		SRV7016-121	
28.3	Relief Door Assembly		7016-005	
28.4	Flue Restrictor		SRV2344-172	
28.5	Stiffener		SRV2344-129	
28.6	Door Retainer		SRV2344-134	
28.7	Burner Neck Gasket		2025-407	
28.8	Bulkhead		SRV7000-156	Y
28.9	Plate, Support		SRV2344-199	
28.10	Baffle		SRV2344-125	
28.11	Adaptor Gasket		SRV460-0610	
28.12	Starter Collar		SRV2189-002	
28.13	Flue Shield		SRV2344-130	
28.14	Blower Shroud Back		SRV2344-132	

Additional service part numbers appear on following page.



IMPORTANT: THIS IS DATED INFORMATION. Parts must be ordered from a dealer or distributor. **Hearth and Home Technologies does not sell directly to consumers.** Provide model number and serial number when requesting service parts from your dealer or distributor.



Stocked at Depot

ITEM	DESCRIPTION	COMMENTS	PART NUMBER	
19.1	Battery Pack **		SRV2166-323	Y
19.2	Junction Box		SRV4021-013	Y
19.3	Transformer		SRV2326-131	Y
19.4	Component Tray		SRV2344-133	
19.5	Access Door		SRV2344-152	
19.6	Module		SRV2166-338	Y
19.7	Cover, Rear		SRV2344-107	
19.8	Wire Harness		2166-304	Y
	Power Cord		832-2410	
	Leveling Assembly		SRV7000-000	
	Mineral Wool, Bag		050-721	
	Snap Disc Bracket		7009-108	
	Hinge Pin		844-5750	Y
	Orifice, NG (#49)		SRV582-849	Y
	Orifice, LP (#57)		582-857	Y
	Conversion Kit, NG		NGKI-TIARAP	Y
	Conversion Kit LP		LPKI-TIARAP	Y
	Pilot Orifice, NG		SRV593-528	Y
	Pilot Orifice, LP		SRV593-527	Y
	Regulator, NG		NGK-DXV-50	Y
	Regulator, LP		SRVLPK-DXV-50	Y
	Touch Up Paint (Black)	Post 0081175001	3-42-19905	

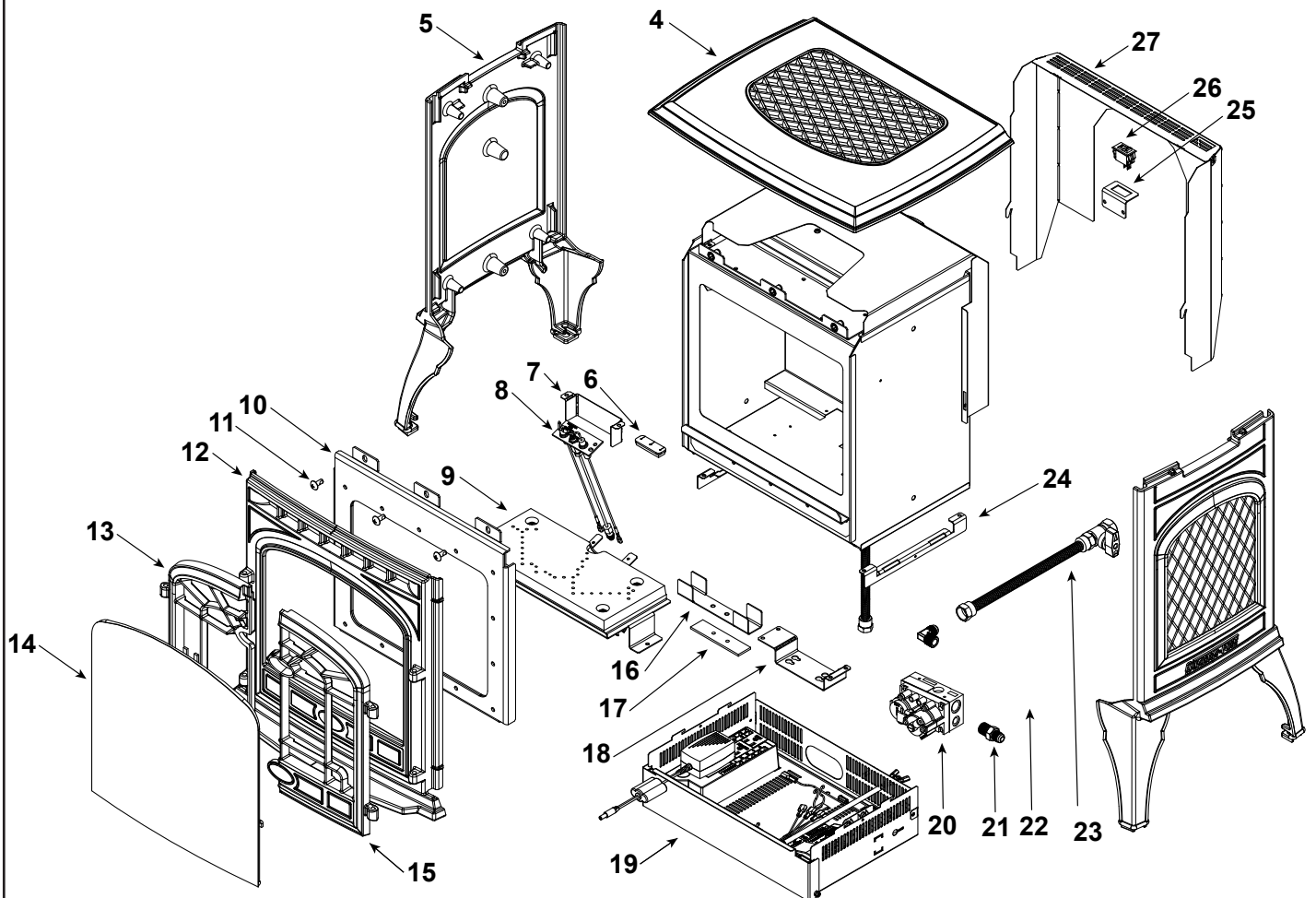
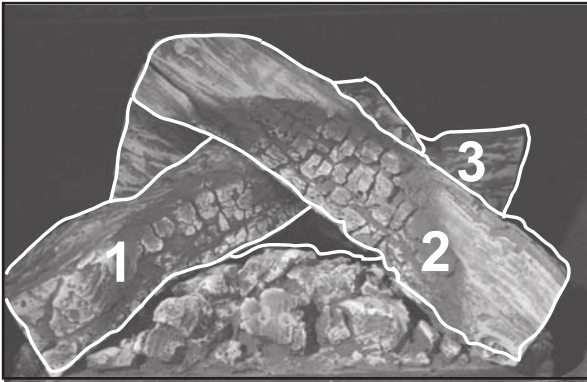
**Fuse for battery pack can be sourced locally, not a warranty item. Specs are 250v, 1A fuse, 3/4" long

Gas Stove - DV
Last Serial #HF1176124

Beginning Manufacturing Date: May 2015
Ending Manufacturing Date: Jan 2020

GARN-DCSB-IPI-B	End Manufacturing Date: April 2017
GARN-MBK-IPI-B	End Manufacturing Date: Jan 2020
GARN-DMBK-IPI-B	End Manufacturing Date: April 2017
GARN-DPMH-IPI-B	End Manufacturing Date: April 2017

Log Set Assembly



Part number list on following page.

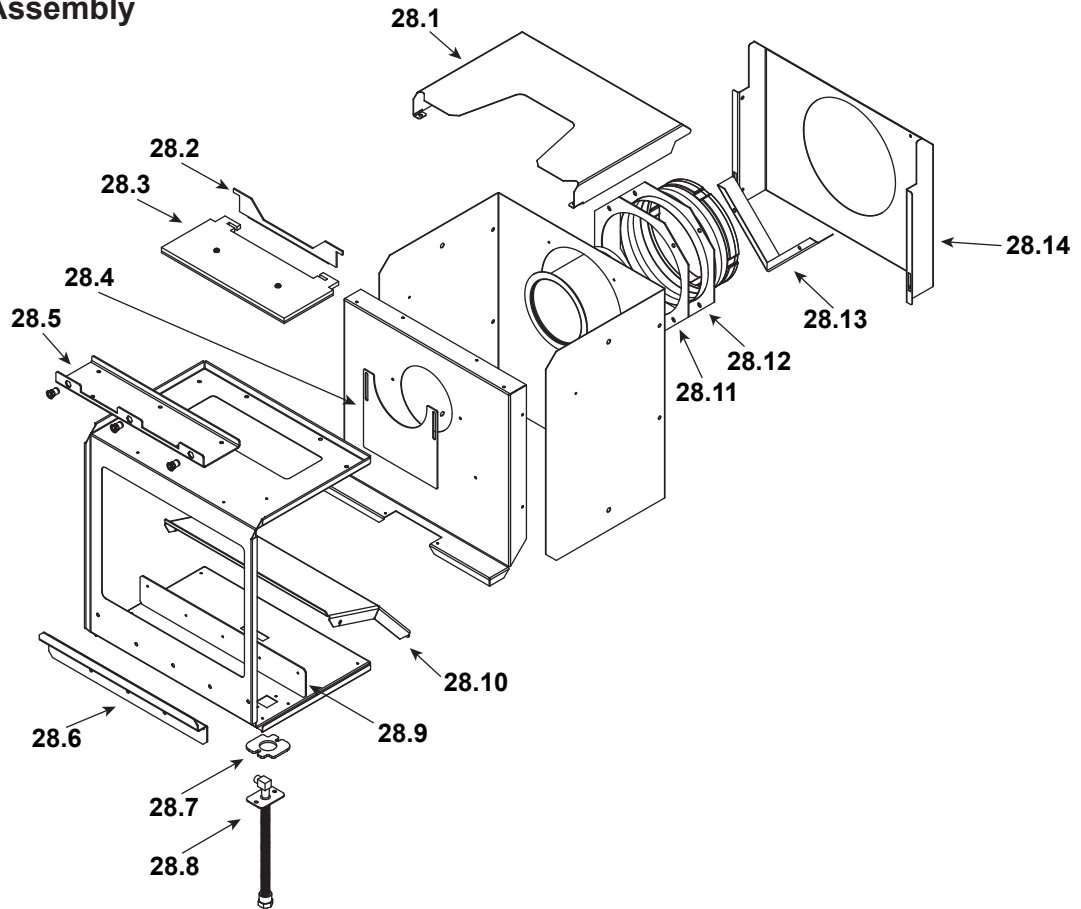
IMPORTANT: THIS IS DATED INFORMATION. Parts must be ordered from a dealer or distributor. **Hearth and Home Technologies does not sell directly to consumers.** Provide model number and serial number when requesting service parts from your dealer or distributor.



**Stocked
at Depot**

ITEM	DESCRIPTION	COMMENTS	PART NUMBER	
	Log Assembly		LOGS-GARNET	Y
1	Log Left		SRV7016-171	
2	Log Right		SRV7016-170	
3	Log Rear		SRV7016-172	
4	Top	Black	464-0140MBK	
		Sienna Bronze	464-0140CSB	
		Mahogany	464-0140PMH	
5	Side - Powder Coat	Black	7016-109MBK	
		Sienna Bronze	7016-109CSB	
		Mahogany	7016-109PMH	
6	Grommet		SRV2118-420	
7	Pilot Shield		SRV2344-103	
8	Pilot Assembly, NG		SRV2090-012	Y
	Pilot Assembly, LP		2090-013	Y
9	Burner Assembly		SRV2344-007	Y
10	Glass Assembly		GLA2344-019	Y
	Button Head, 1/4-20x5/8 Black	Pkg of 10	1201529-10	
11	Screw, 1/4-20 x 5/8	Pkg of 24	220-0440/24	Y
12	Front Mill	Black	7016-106MBK	
		Sienna Bronze	7016-106CSB	
		Mahogany	7016-106PMH	
13	Door Left	Black	7016-108MBK	
		Sienna Bronze	7016-108CSB	
		Mahogany	7016-108PMH	
14	Screen, Garnet		7016-040	
15	Door Right	Black	7016-107MBK	
		Sienna Bronze	7016-107CSB	
		Mahogany	7016-107PMH	
16	Shutter Assembly		SRV2344-154	
17	Air Shutter Bracket Gasket		2342-159	
18	Valve Bracket		SRV2344-104	
19	Component Tray Assembly		See Following Pages	
20	Valve, IPI, Fixed (NG)		SRV593-500	Y
	Valve, IPI, Fixed (LP)		SRV593-501	Y
21	Male Connector		SRV4021-045	Y
22	Elbow, 3/8	Pkg of 5	303-315/5	Y
23	Ball Valve Assembly, 24"		3-40-2098034	Y
24	Component Tray Bracket	Qty 2 req	SRV2344-151	
25	Switch Bracket		SRV2344-143	
26	On/Off, Switch		SRV32D0232	Y
27	Fan Shroud		SRV2344-140	

28 Firebox Assembly



IMPORTANT: THIS IS DATED INFORMATION. Parts must be ordered from a dealer or distributor. **Hearth and Home Technologies does not sell directly to consumers.** Provide model number and serial number when requesting service parts from your dealer or distributor.

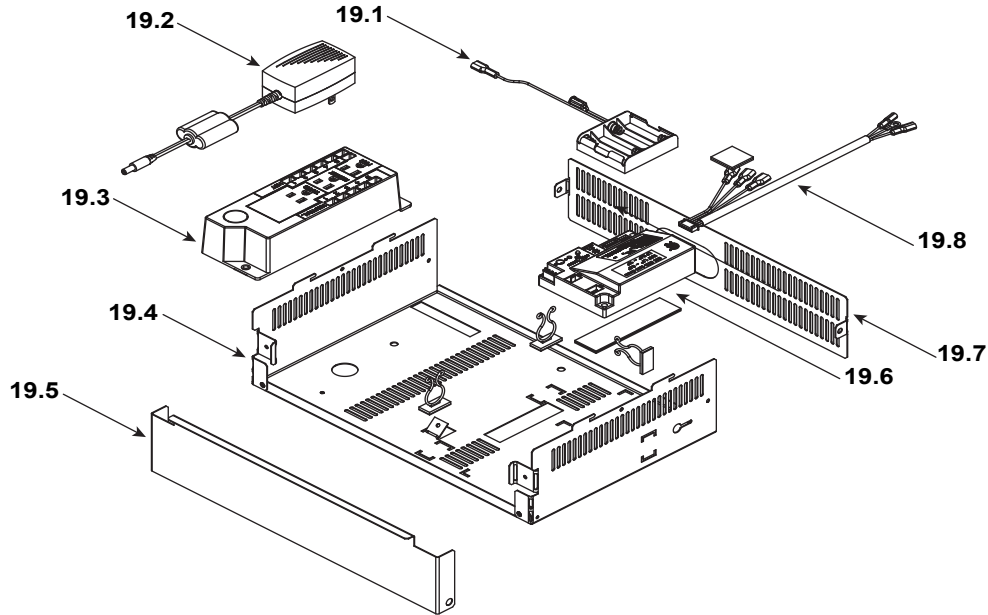


Stocked at Depot

ITEM	DESCRIPTION	COMMENTS	PART NUMBER	
28.1	Blower Shroud Top		SRV2344-118	
28.2	Relief Door Bracket		SRV7016-121	
28.3	Relief Door Assembly		7016-005	
28.4	Flue Restrictor		SRV2344-172	
28.5	Stiffener		SRV2344-129	
28.6	Door Retainer		SRV2344-134	
28.7	Burner Neck Gasket		2025-407	
28.8	Bulkhead		SRV7000-156	Y
28.9	Plate, Support		SRV2344-199	
28.10	Baffle		SRV2344-125	
28.11	Adaptor Gasket		SRV460-0610	
28.12	Starter Collar		SRV2189-002	
28.13	Flue Shield		SRV2344-130	
28.14	Blower Shroud Back		SRV2344-132	

Additional service part numbers appear on following page.

19 Component Tray Assembly



IMPORTANT: THIS IS DATED INFORMATION. Parts must be ordered from a dealer or distributor. **Hearth and Home Technologies does not sell directly to consumers.** Provide model number and serial number when requesting service parts from your dealer or distributor.



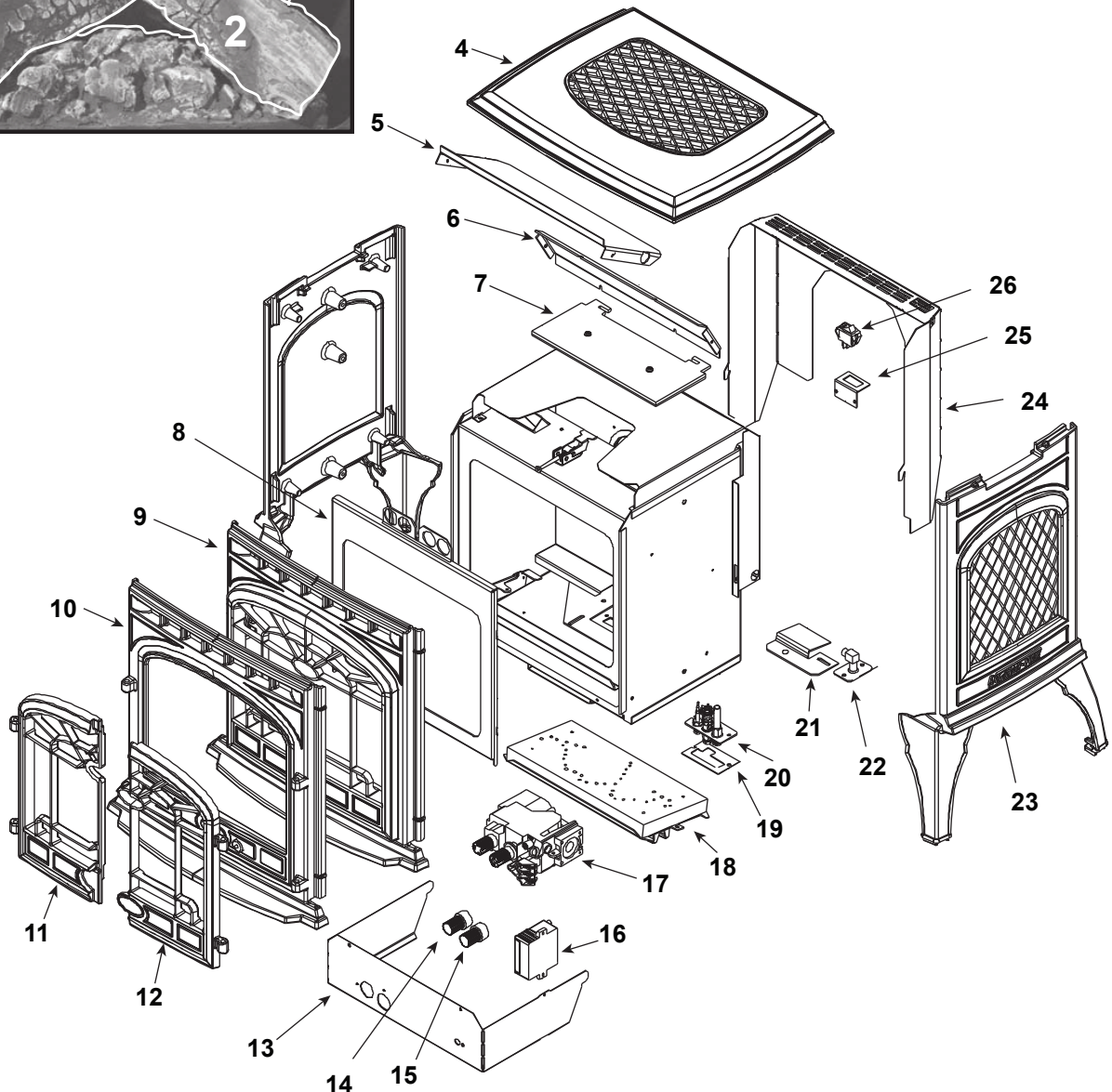
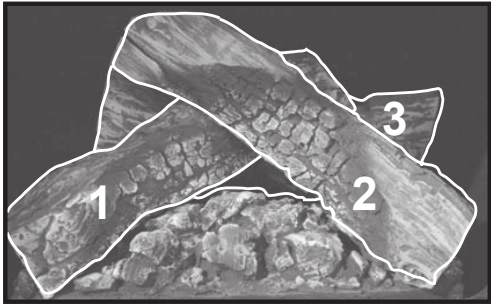
Stocked at Depot

ITEM	DESCRIPTION	COMMENTS	PART NUMBER	
19.1	Battery Pack**		SRV2166-323	Y
19.2	Transformer		SRV2326-131	Y
19.3	Junction Box		SRV4021-013	Y
19.4	Component Tray		SRV2344-133	
19.5	Access Door		SRV2344-152	
19.6	Module		SRV2166-338	Y
19.7	Cover, Rear		SRV2344-107	
19.8	Wire Harness		2166-304	Y
	Power Cord		832-2410	
	Leveling Assembly		SRV7000-000	
	Mineral Wool, Bag		050-721	
	Snap Disc Bracket		7009-108	
	Hinge Pin		844-5750	Y
	Orifice, NG (#49)		SRV582-849	Y
	Orifice, LP (#57)		582-857	Y
	Conversion Kit, NG		NGKI-SGS	Y
	Conversion Kit LP		LPKI-SGS	Y
	Pilot Orifice, NG		SRV593-528	Y
	Pilot Orifice, LP		SRV593-527	Y
	Touch Up Paint	Black	2 12 10005	

Color	SKU No.	Mfg. Dates
Matte Black	839-1110	7/01 - 6/04
Porcelain Creme	839-1120	7/01 - 5/04
	GARNET-D-PCR	6/04 - 8/05
Porcelain Green	839-1130	7/01 - 5/04
Porcelain Mahogany	839-1140	4/02 - 5/04
Porcelain Midnite Blue	839-1150	4/02 - 4/04
	839-1151	4/03 - 5/04
Powder Coat Linden Green	GARNET-D-CLG	6/04 - 4/06

Color	SKU No.	Mfg. Dates
Powder Coat Merlot	GARNET-D-CME	6/04 - 3/06
Powder Coat Creme	GARNET-D-CCR	9/05 - 4/06
Powder Coat Sienna Bronze	GARNET-D-CSB	3/07 - 8/14
Powder Coat Willow	GARNET-D-CWL	3/07 - 3/11
Matte Black	GARNET-MBK	6/04 - 8/14
	GARNET-D-MBK	6/04 - 8/14
Porcelain Mahogany	GARNET-D-PMH	6/04 - 8/14

Log Set Assembly



Part number list on following page.

IMPORTANT: THIS IS DATED INFORMATION. Parts must be ordered from a dealer or distributor. **Hearth and Home Technologies does not sell directly to consumers.** Provide model number and serial number when requesting service parts from your dealer or distributor.



**Stocked
at Depot**

ITEM	DESCRIPTION	COMMENTS	PART NUMBER	
	Log Assembly		LOGS-GARNET	Y
1	Log Left		SRV7016-171	
2	Log Right		SRV7016-170	
3	Log Rear		SRV7016-172	
4	Top	Black	464-0140MBK	
		Porcelain Mahogany	464-0140PMH	
		No longer available	464-0140D-PCR	
		No longer available	464-0140PPGR	
		No longer available	464-0140PMB	
		No longer available	464-0140-D-CLG	
		No longer available	464-0140-D-CME	
		No longer available	464-0140-D-CCR	
		No longer available	464-0140-D-CSB	
		No longer available	464-0140-D-CWL	
5	Baffle Back	No longer available	7016-126	
6	Baffle	No longer available	7016-125	
7	Relief Door Assembly		7016-005	
8	Door Assembly	No longer available	7016-004	
	Door Frame	No longer available	7016-117	
	Glass Assembly -12.73 W x 10.35 H, W/Gasket	No longer available	7016-023	
	Glass Gasket - Field Cut to Size	No longer available	844-3010	
	Tape, Door Corner - Field Cut to Size	1 Ft	SRV7027-227	Y
9	Front Plate - Solitaire Front Only	No longer available	464-0160	
10	Front - Quartet Front	Black	7016-106MBK	
		Porcelain Mahogany	7016-106PMH	
		No longer available	7016-106D-PCR	
		No longer available	7016-106PPGR	
		No longer available	7016-106PMB	
		No longer available	7016-106-D-CLG	
		No longer available	7016-106-D-CME	
		No longer available	7016-106-D-CCR	
		No longer available	7016-106-D-CSB	
		No longer available	7016-106-D-CWL	
	Blower Shroud Back		7016-132	
	Blower Shroud Top		7016-118	
	Burner Stop	Post 1236311	7010-152	
	Burner Support	No longer available	7016-120	

Additional service part numbers appear on following page.

IMPORTANT: THIS IS DATED INFORMATION. Parts must be ordered from a dealer or distributor. **Hearth and Home Technologies does not sell directly to consumers.** Provide model number and serial number when requesting service parts from your dealer or distributor.



**Stocked
at Depot**

ITEM	DESCRIPTION	COMMENTS	PART NUMBER	
11	Door Left	Black	7016-108MBK	
		Porcelain Mahogany	7016-108PMH	
		No longer available	7016-108-PCR	
		No longer available	7016-108PGR	
		No longer available	7016-108PMB	
		No longer available	7016-108-D-CLG	
		No longer available	7016-108-D-CME	
		No longer available	7016-108-D-CCR	
		No longer available	7016-108-D-CSB	
		No longer available	7016-108-D-CWL	
12	Door Right	Black	7016-107MBK	
		Porcelain Mahogany	7016-107PMH	
		No longer available	7016-107-PCR	
		No longer available	7016-107PGR	
		No longer available	7016-107PMB	
		No longer available	7016-107-D-CLG	
		No longer available	7016-107-D-CME	
		No longer available	7016-107-D-CCR	
		No longer available	7016-107-D-CSB	
		No longer available	7016-107-D-CWL	
13	Valve Cover	No longer available	7016-133	
14	Knob, Extension, On-Off, Sit, 1.5"		SRV37D0010	
15	Knob, Extension, Hi-Lo, Sit, 1.5"		571-533	Y
16	Module, Ignition		230-1880	Y
	Cable/Switch Assembly, Sit	No longer available	230-1900	
17	Valve Replacement, Sit - NG		842-0240	Y
	Valve Replacement, Sit - LP		842-0230	Y
18	Burner Assembly	No longer available	BRNR-GAR	
	Burner w/Neck Assembly	No longer available	SRV7016-033	
19	Gasket, Pilot	No longer available	7000-196	
20	Pilot Assembly - NG		230-1781	Y
	Injector, Pilot, Ez, LP, 35		SRV200-2630	Y
	Thermocouple		200-2950	Y
	Thermopile/Generator, Millivolt		842-0250	Y
21	Shutter Assembly	No longer available	SRV7016-034	
22	Bulkhead w/Flex Tube 8.5		SRV7000-156	Y
	Collar, Inner Flue		7016-122	

Additional service part numbers appear on following page.

IMPORTANT: THIS IS DATED INFORMATION. Parts must be ordered from a dealer or distributor. **Hearth and Home Technologies does not sell directly to consumers.** Provide model number and serial number when requesting service parts from your dealer or distributor.



**Stocked
at Depot**

ITEM	DESCRIPTION	COMMENTS	PART NUMBER	
23	Side - Powder Coat	Black	7016-109MBK	
		Porcelain Mahogany	7016-106PMH	
		No longer available	7016-109-PCR	
		No longer available	7016-109PGR	
		No longer available	7016-109PMB	
		No longer available	7016-109-D-CLG	
		No longer available	7016-109-D-CME	
		No longer available	7016-109-D-CCR	
		No longer available	7016-109-D-CSB	
		No longer available	7016-109-D-CWL	
24	Back Shield		7016-140	
25	Switch, Bracket		7016-143	
26	Switch, Rocker		SRV32D0232	Y
	Component Pack (Includes On/Off Valve, Mineral Wool, Pilot Injector, Ez, Lp 35; Conversion Regulator & Label; Orifice Plug Insert #56; Leveling Assembly; Snap Disc Bracket; Warranty Card, Manual, Restrictor; Touch-Up Paint & Fasteners)	No longer available	7016-007	
		No longer available	7016-027	
		No longer available	7016-030	
		No longer available	7016-031	
	Leveling Assembly		SRV7000-000	
	Mineral Wool, Bag		200-2550	
	On/Off Valve		SRV15697	Y
	Restrictor		7016-145	
	Snap Disc Bracket		7009-108	
	Damper Assembly		7016-006	
	Door Retainer	No longer available	7016-134	
	Dv Adapter	6-5/8 in.	SRV7010-172	
	Elbow, 3/8 Flare X 3/8 Npt		SRV4021-045	
	Electrode, Sit, Ez, Flush		842-4580	Y
	Flex Line 3/8 Flare X 22L	No longer available	7000-197	
	Flue Shield		7016-130	
	Gasket, Elbow		SRV460-0610	
	Hinge Pin		844-5750	Y
	Latch, Draw		229-0640	Y
	Magnet Round		SRV7000-140	Y
	Pilot Shield	Pre 0071237555	7016-164	
	Pilot Spacer	Post 0071237556	7016-165	
	Pilot Spacer	No longer available	7010-175	
	Plug, Orifice Insert #49		842-1220	Y
	Relief Door Bracket		SRV7016-121	

Additional service part numbers appear on following page.

Gas Stove
 Last SN #278565
 EZ Pilot 278256

Beginning Manufacturing Date: May 1999
 Ending Manufacturing Date: Dec 2001

840-0100 (5/26/1996 - 1/7/1999), 840-0090 (5/26/1996 - 4/18/1999),
 840-0210 (4/16/1999 - 2/23/2000), 840-0290 (3/2/2000 - 12/20/2001)



IMPORTANT: THIS IS DATED INFORMATION. Parts must be ordered from a dealer or distributor. **Hearth and Home Technologies does not sell directly to consumers.** Provide model number and serial number when requesting service parts from your dealer or distributor.



**Stocked
at Depot**

ITEM	DESCRIPTION	COMMENTS	PART NUMBER	
	Baffle	No longer available	842-4140	
	Blower		812-4900	Y
	Brick Panel Set	No longer available	841-0330	
	Burner Set	No longer available	842-2160	
	Conversion Kits			
	Conversion Kit, NG	No longer available	842-1631	
	Conversion Kit, LP	No longer available	842-1641	
	Conversion Kit, LP, EZ	No longer available	842-4170	
	Door, H-Channel	No longer available	842-3100	
	Door, H-Channel	No longer available	842-3090	
	Door Parts:			
	Glass, Front H-Channel	No longer available	842-1280	
	Glass, Side H-Channel	No longer available	842-1360	
	Rope, 5/8"	8 Ft	842-1420	
	Replacement Latch Box	No longer available	842-0971	

Additional service parts on following page

IMPORTANT: THIS IS DATED INFORMATION. Parts must be ordered from a dealer or distributor. **Hearth and Home Technologies does not sell directly to consumers.** Provide model number and serial number when requesting service parts from your dealer or distributor.



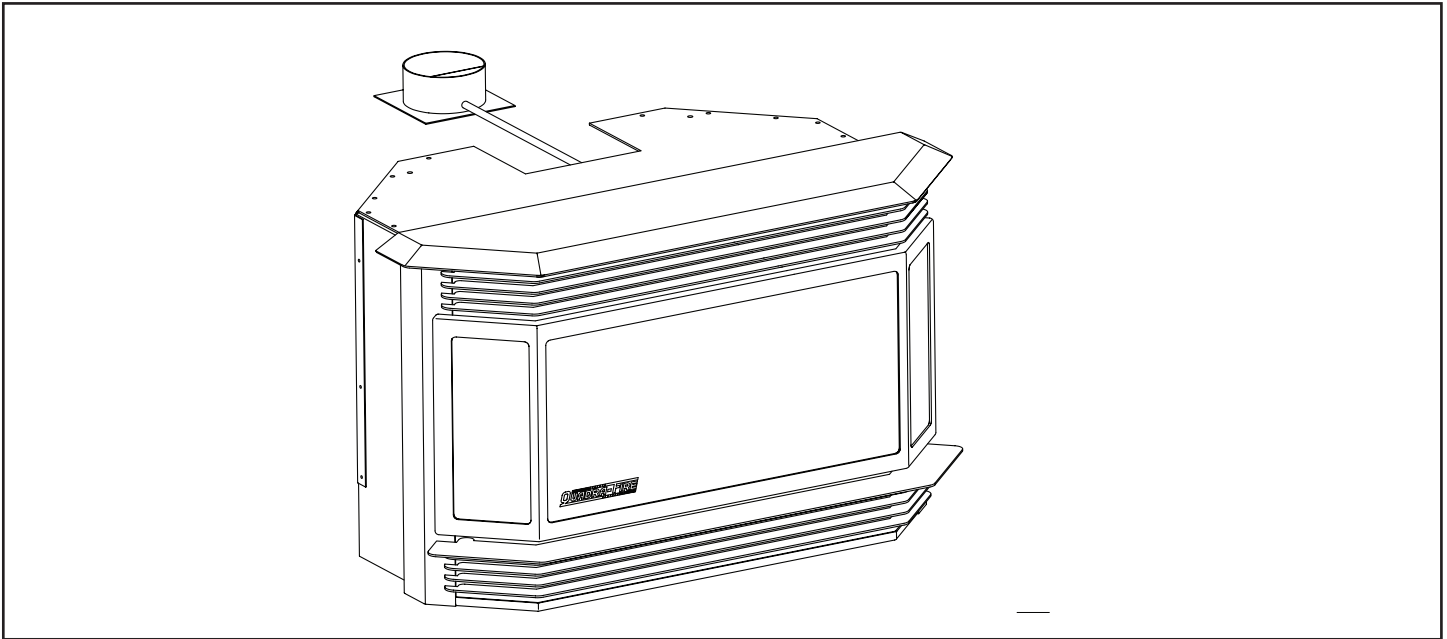
Stocked at Depot

ITEM	DESCRIPTION	COMMENTS	PART NUMBER	
	Log Set	No longer available	841-0341	
	Nuggets	No longer available	841-0370	
	Orifices:			
	Burner Orifice, #36	No longer available	450-2630	
	Burner Orifice, #52	No longer available	450-2650	
	Burner Orifice, #53	No longer available	842-0910	
	Burner Orifice, #63	No longer available	842-1020	
	Burner Orifice, #66	No longer available	842-1010	
	Pilot Orifice, NG, 51	No longer available	200-2420	
	Pilot Orifice, LP, 35	No longer available	842-4450	
	Pilot Orifice, NG, EZ, 62		842-4440	Y
	Pilot Orifice, LP, EZ, 35		SRV200-2630	Y
	Piezo Igniter		291-513	Y
	Piezo Wire	No longer available	842-2080	
	Pilot Parts:			
	Pilot Assembly, NG	Post 250773	842-1880	Y
	Pilot Assembly, NG, EZ	No longer available	842-4240	
	Pilot Assembly, LP, EZ		Use LP Pilot Orifice	
	Thermocouple		842-0390	Y
	Thermocouple, EZ		200-2950	Y
	Thermopile		842-0250	Y
	Electrode w/ Wire, EZ	No longer available	842-4590	
	Switches and Electrical Parts:			
	Speed Control		842-0370	Y
	Speed Control Knob	No longer available	842-2300	
	Switch, On/Off Toggle	No longer available	842-1660	
	Snap Disc, Fan, 145	No longer available	SRV230-0950	
	Snap Disc, Spill, 250		SRV230-0071	Y
	Wire Harness	No longer available	842-1650	
	Valves:			
	NG Valve		842-0240	Y
	LP Valve		842-0230	Y
	NG Regulator		SRV230-1570	Y
	LP Regulator		SRV230-1520	Y
	Installation Manual		250-2970	

Gas Insert
840-0060, 840-0050, 840-0200,
840-0190, & 840-0280

Beginning Manufacturing Date: Aug 1995
Ending Manufacturing Date: Mar 2003

Last SN #257334



IMPORTANT: THIS IS DATED INFORMATION. Parts must be ordered from a dealer or distributor. **Hearth and Home Technologies does not sell directly to consumers.** Provide model number and serial number when requesting service parts from your dealer or distributor.



Stocked
at Depot

ITEM	DESCRIPTION	COMMENTS	PART NUMBER	
	Baffle	No longer available	842-4140	
	Blowers	Pre 253377	812-4900	Y
		No longer available	842-3360	
	Brick Panel Set	No longer available	841-0330	
	Burner Tube Set	No longer available	842-2160	
	Conversion Kits			
	Conversion Kit, NG	No longer available	842-0991	
	Conversion Kit, LP	No longer available	842-1001	
	Conversion Kit LP, Post 255524	No longer available	842-4160	
	Door, H-Channel, Black	No longer available	842-3100	
	Door, H-Channel, gold	No longer available	842-3090	
	Door Parts:			
	Glass, Front H-Channel	No longer available	842-1280	
	Glass, Side H-Channel	No longer available	842-1360	
	Glass Tape	3/4" x 5'	832-0460	Y
	Rope	5/8"	842-1420	
	Replacement Latch Box	No longer available	842-0971	
	T-Handle, Door	No longer available	812-0930	
	Log Set	No longer available	841-0341	
	Nuggets	No longer available	841-0370	

Additional service parts on following page

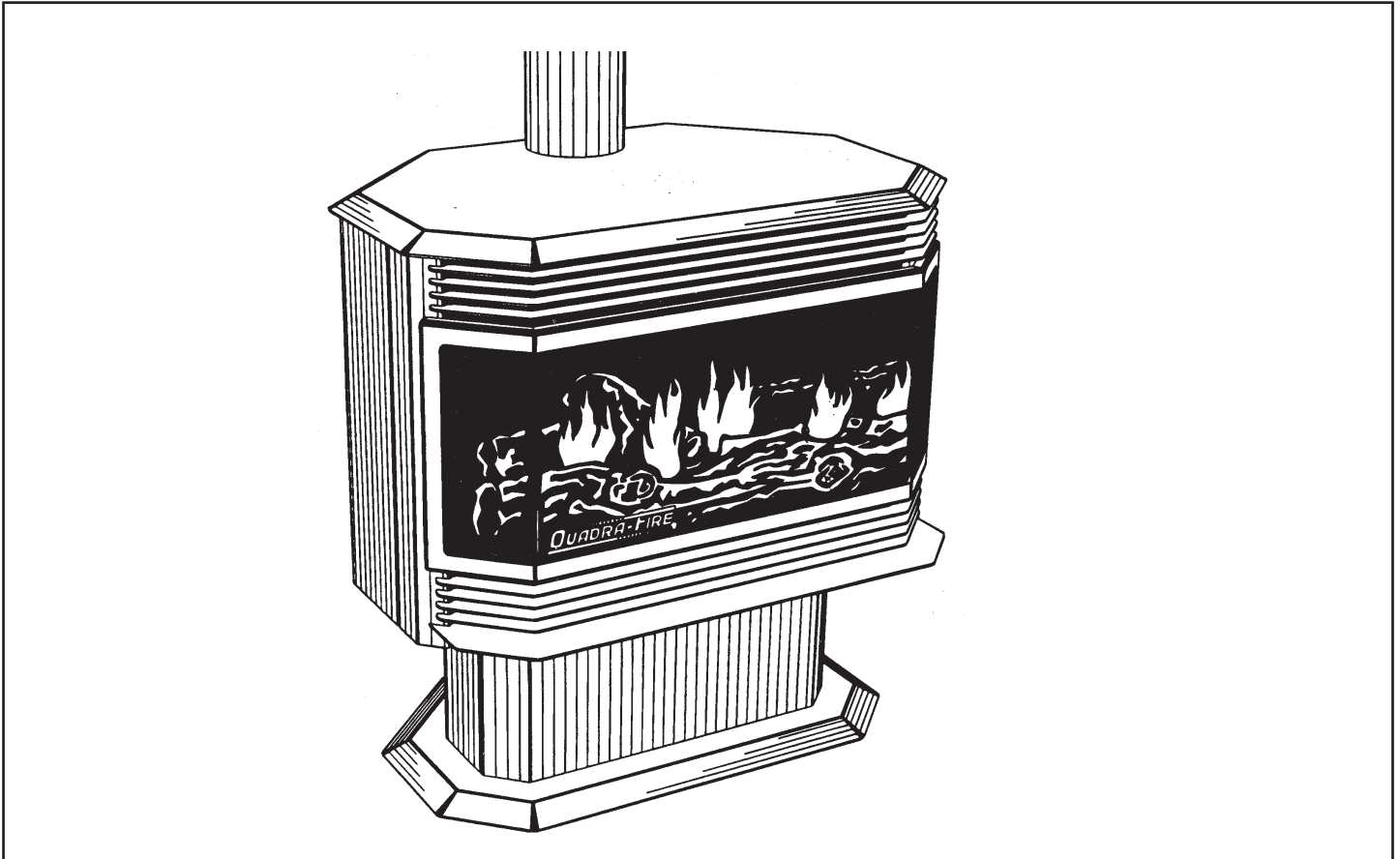
IMPORTANT: THIS IS DATED INFORMATION. Parts must be ordered from a dealer or distributor. **Hearth and Home Technologies does not sell directly to consumers.** Provide model number and serial number when requesting service parts from your dealer or distributor.



Stocked at Depot

ITEM	DESCRIPTION	COMMENTS	PART NUMBER	
	Orifices:			
	Burner Orifice, #38	No longer available	450-2790	
	Burner Orifice, #52	No longer available	450-2650	
	Burner Orifice, #43	No longer available	842-0910	
	Burner Orifice, #63	No longer available	842-1020	
	Burner Orifice, #66	No longer available	842-1010	
	Pilot Orifice, NG, 51	No longer available	200-2420	
	Pilot Orifice, LP, 35	No longer available	842-4450	
	Pilot Orifice, NG, EZ, 62		842-4440	Y
	Pilot Orifice, LP, EZ, 35		SRV200-2630	Y
	Pilot Parts:			
	Pilot Assembly, NG, Pre #250773	No longer available	842-0980	
	Pilot Assembly, LP Pre #250773	No longer available	842-1710	
	Pilot, NG, Post 250773	Bracket Only	842-1880	Y
	Pilot Assembly, NG, EZ	No longer available	842-4240	
	Pilot Assembly, LP,EZ		Use LP Pilot Orifice	
	Thermocouple, Pre #250773		842-1580	Y
	Thermocouple Post #250773		842-0390	Y
	Thermocouple, EZ		200-2950	Y
	Thermopile		842-0250	Y
	Electrode w/ Wire	No longer available	842-4590	
	Piezo Igniter		291-513	Y
	Piezo Wire	No longer available	842-2080	
	Switches and Electrical Parts:			
	Slide Control	No longer available	842-1380	
	Fan Switch, Rocker, Post #253377		812-3500	Y
	Switch, On/Off Rocker		SRV32D0232	Y
	Slide Control Knob	No longer available	842-2330	
	Snap Disc, Fan, 145	No longer available	SRV230-0950	
	Snap Disc, Spill, 250		SRV230-0071	Y
	Wire Harness, Pre #253376	No longer available	842-1370	
	Wire Harness, Post #253377	No longer available	842-3370	
	Valves Parts:			
	Valve, NG		842-0240	Y
	Valve, LP		842-0230	Y
	Regulator, NG		SRV230-1570	Y
	Regulator, LP		SRV230-1520	Y
	Flame Enhancement Kit	No longer available	842-4970	
	Installation Manual		250-2641	

840-0140 (7/2/1997 - 12/23/1998), 840-0130 (7/2/1997 - 12/23/1998), 840-0230 (2/25/1999 - 2/28/2000), 840-0240 (2/23/1999 - 3/2/2000), 840-0300 (3/2/2000 - 10/5/2000)



IMPORTANT: THIS IS DATED INFORMATION. Parts must be ordered from a dealer or distributor. **Hearth and Home Technologies does not sell directly to consumers.** Provide model number and serial number when requesting service parts from your dealer or distributor.



Stocked at Depot

ITEM	DESCRIPTION	COMMENTS	PART NUMBER	
	Baffle	No longer available	842-2470	
	Blower	No longer available	842-2480	
	Brick Panel Set	No longer available	841-0330	
	Burner Set	No longer available	842-2520	
	Conversion Kits:			
	Conversion Kit, NG	No longer available	842-2501	
	Conversion Kit, LP	No longer available	842-2511	
	Conversion Kit, LP, EZ	No longer available	842-4180	
	Door Parts:			
	Glass, Front H-Channel	No longer available	842-3140	
	Glass, Side H-Channel	No longer available	842-3150	
	Rope, 5/8"	8 Ft	842-1420	
	Retro Door Kit	No longer available	842-2811	
	Glass Tape	6 Ft	832-0460	Y

Additional service parts on following page

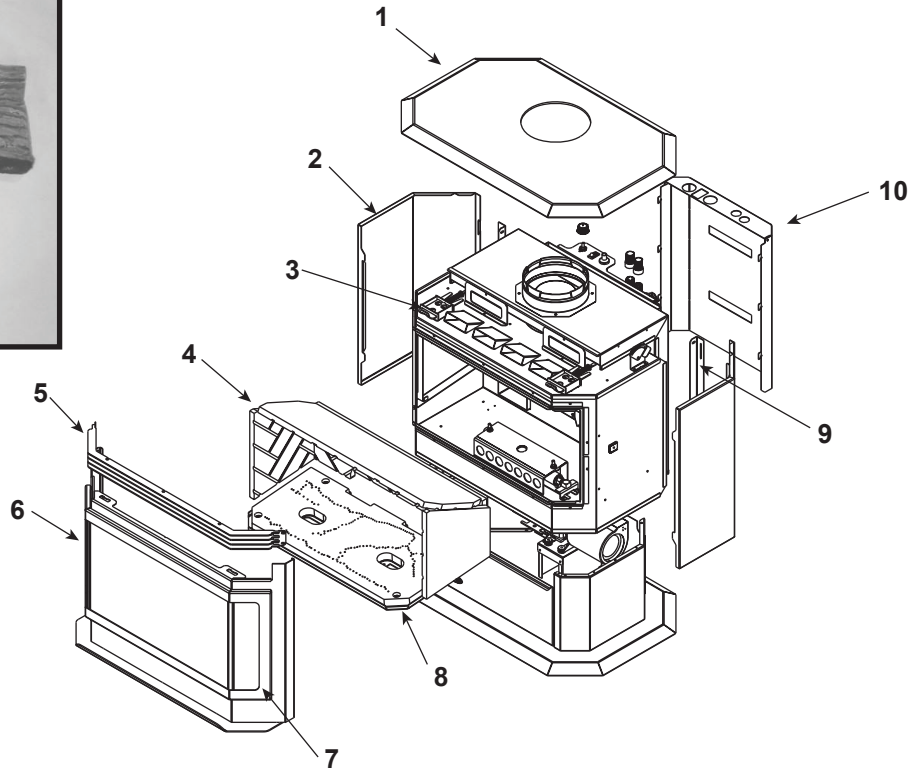
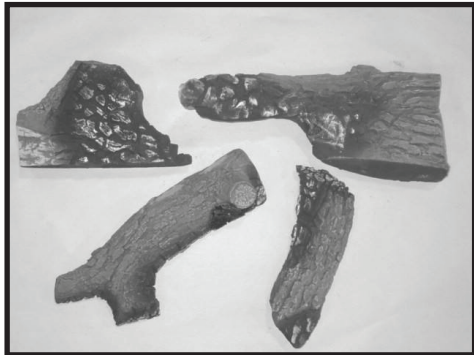
IMPORTANT: THIS IS DATED INFORMATION. Parts must be ordered from a dealer or distributor. **Hearth and Home Technologies does not sell directly to consumers.** Provide model number and serial number when requesting service parts from your dealer or distributor.



**Stocked
at Depot**

ITEM	DESCRIPTION	COMMENTS	PART NUMBER	
	Log Set	No longer available	841-0341	
	Nuggets	No longer available	841-0370	
	Orifices:			
	Burner Orifice, #41	No longer available	842-1160	
	Burner Orifice, #53	No longer available	842-0910	
	Burner Orifice, #54	No longer available	842-08580	
	Burner Orifice, #65	No longer available	842-1230	
	Burner Orifice, #66	No longer available	842-1010	
	Pilot Orifice, NG, 51	No longer available	200-2420	
	Pilot Orifice, LP, 35	No longer available	842-4450	
	Pilot Orifice, NG, EZ, 62		842-4440	Y
	Pilot Orifice, LP, EZ, 35		SRV200-2630	Y
	Pilot Parts:			
	Pilot Assembly, NG, EZ		842-4230	Y
	Pilot Assembly, LP, EZ		Use LP Pilot Orifice	
	Thermocouple		842-1580	Y
	Thermocouple, EZ		200-2950	Y
	Thermopile		842-0250	Y
	Electrode w/ Wire, EZ		842-4580	Y
	Piezo Igniter		291-513	Y
	Piezo Wire	No longer available	842-2080	
	Switches and Electrical Parts:			
	Speed Control		842-0370	Y
	Speed Control Knob	No longer available	842-2300	
	Switch, On/Off, Toggle	No longer available	842-1660	
	Snap Disc, Fan, 125		SRV230-0960	Y
	Wire Harness	No longer available	842-2490	
	Valves:			
	Valve, NG		842-0240	Y
	Valve, LP		842-0230	Y
	Knob Extension, On/Off/Pilot		230-1250	
	Knob Extension, High/Low	No longer available	842-4020	
	Regulator, NG		SRV230-1570	Y
	Regulator, LP		SRV230-1520	Y
	Installation Manual	No longer available	250-3681	

Log Set Assembly



IMPORTANT: THIS IS DATED INFORMATION. When requesting service or replacement parts for your appliance please provide model number and serial number. All parts listed in this manual may be ordered from an authorized dealer.

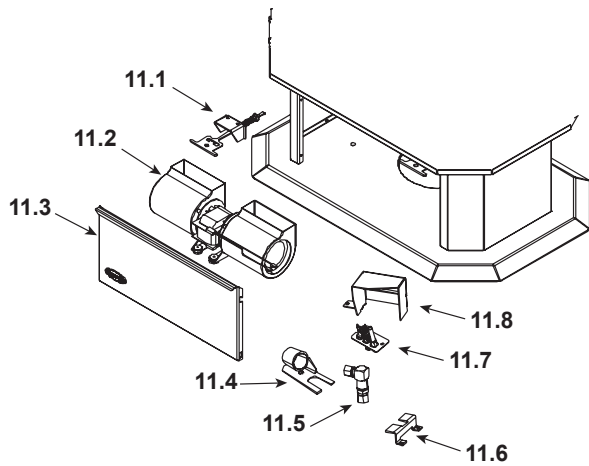


Stocked at Depot

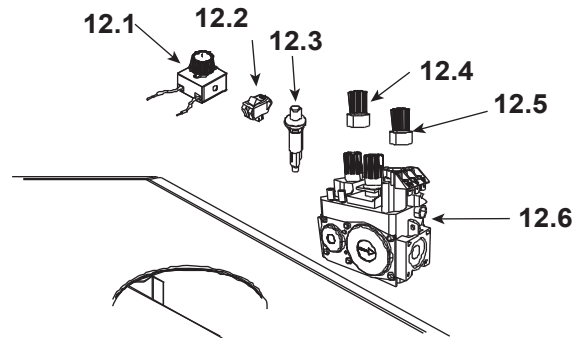
ITEM	DESCRIPTION	COMMENTS	PART NUMBER	
	Log Set Assembly	No longer available	842-4920	
1	Top Assembly		SRV7003-010A	
2	Outer Skin		SRV7003-117A	
3	Latch Assembly (Qty 2 reg) (Stationary)		7003-006	Y
4	Refractory Assembly	No longer available	842-4910	
5	Grill Bar Assembly		SRV7008-010A	
		No longer available	LVGRL-GD	
		No longer available	LVGRL-NL	
6	Door Assembly	No longer available	457-0070	
	Glass w/Gasket, Center	No longer available	7008-029	
	Glass w/Gasket, Side	No longer available	474-5130	
7	Door Crown		SRV462-0150A	
		No longer available	DC-BAY-GD	
		No longer available	DC-BAY-NL	
8	Burner Assembly	No longer available	842-4890	
9	Side Curtain Mount		SRV479-0110	
10	Valve Cover		SRV7003-119A	

Additional service part numbers appear on following page.

#11 Pedestal Components



#12 Valve Components



IMPORTANT: THIS IS DATED INFORMATION. When requesting service or replacement parts for your appliance please provide model number and serial number. All parts listed in this manual may be ordered from an authorized dealer.



**Stocked
In Depot**

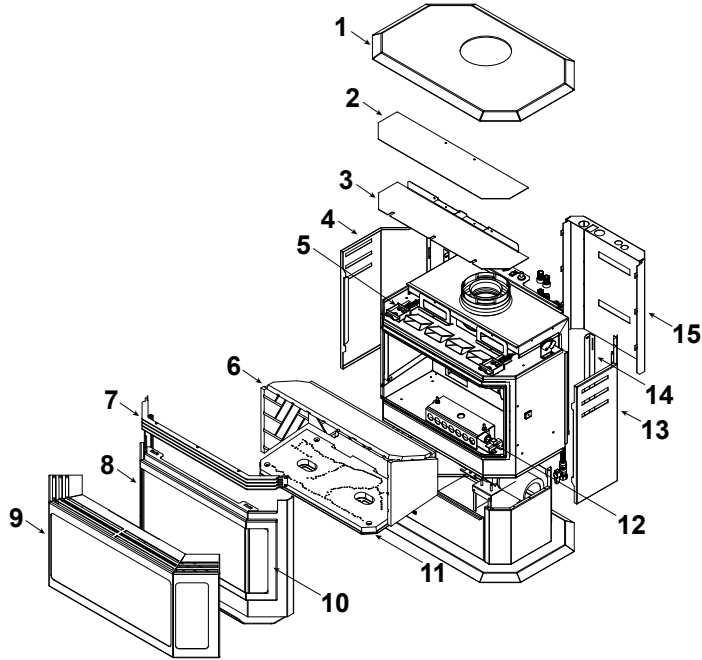
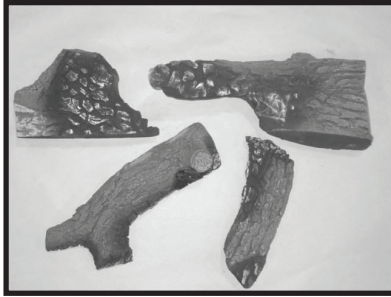
ITEM	DESCRIPTION	COMMENTS	PART NUMBER	
11.1	Latch Assembly (Qty 2 req)		7003-005	Y
11.2	Blower		812-4900	Y
	Blower Plate		SRV457-0560	
	Blower Bracket		SRV474-0210	
11.3	Pedestal Door		SRV7003-107A	
11.4	Air Shutter Assembly		SRV468-5060	Y
11.5	Bulkhead		26457	Y
11.6	Bulkhead Stop		SRV474-0090	
11.7	NG Pilot Assembly w/Propane Orifice		842-4940	Y
	Thermocouple		200-2950	Y
	Thermopile		842-0250	Y
11.8	Pilot Shield		PS-7008	
12.1	Speed Control		842-0370	Y
	Knob		200-2041	Y
12.2	On/Off Rocker Switch		SRV32D0232	Y
12.3	Piezo Ignitor		291-513	Y
12.4	Knob On/Off		SRV37D0010	
12.5	Knob Hi/Lo		571-533	Y
12.6	Valve NG		842-0240	Y
	Valve LP		842-0230	Y
	Valve Bracket		SRV7003-118	
	Orifice NG (#31/.120)		SRV18677	Y
	Orifice LP (#49/.073)		SRV24220	Y

Additional service part numbers appear on following page.

Hudson Bay Free Standing
Last Serial #HF1204304

Beginning Manufacturing Date: April 2003
Ending Manufacturing Date: May 2022

Log Set Assembly



IMPORTANT: THIS IS DATED INFORMATION. Parts must be ordered from a dealer or distributor. **Hearth and Home Technologies does not sell directly to consumers.** Provide model number and serial number when requesting service parts from your dealer or distributor.



Stocked at Depot

ITEM	DESCRIPTION	COMMENTS	PART NUMBER	
	Log Set Assembly		SRV7008-012	Y
1	Top Assembly	No longer available	SRV7003-010	
		Post SN 0021621084	SRV7003-010A	
2	Shield, Top		7003-154	
3	Shield, Lower		SRV7003-153	
4	Outer Skin, Left	No longer available	SRV7003-117	
		Post SN 0021621084	SRV7003-131	
5	Latch Assembly (Stationary)	Qty 2 req	7003-006	Y
6	Refractory Assembly		7008-002	
7	Grill Bar Assembly BLACK	No longer available	SRV7008-010	
		Post SN 0021621084	SRV7008-010A	
	Grill Bar Assembly	No longer available	LVGRL-GD	
		No longer available	LVGRL-NL	
8	Door Assembly	No longer available	DOOR-HUDBAY	
		Post SN 0021621084	DOOR-HUDBAY-B	
	Gasket, Tadpole,	10 FT	842-5130	Y
	Glass Tape		832-0460	Y
9	Front, Mesh		SRV7002-020	
10	Door Crown , BLACK	No longer available	SRV462-0150	
		Post SN 0021621084	SRV462-0150A	
	Door Crown	No longer available	DC-BAY-GD	
		No longer available	DC-BAY-NL	

Additional service part numbers appear on following page.

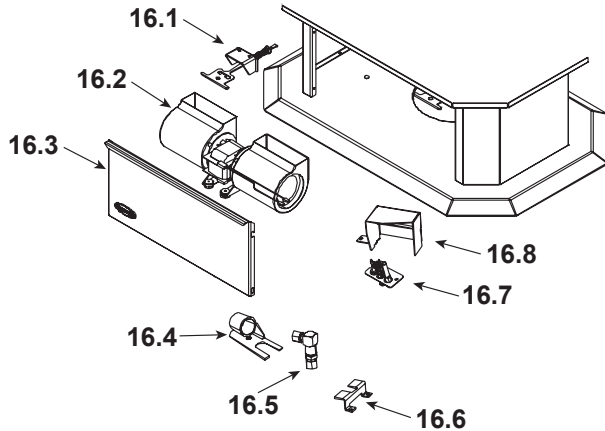
Beginning Manufacturing Date: April 2003
Ending Manufacturing Date: May 2022

IMPORTANT: THIS IS DATED INFORMATION. Parts must be ordered from a dealer or distributor. **Hearth and Home Technologies does not sell directly to consumers.** Provide model number and serial number when requesting service parts from your dealer or distributor.

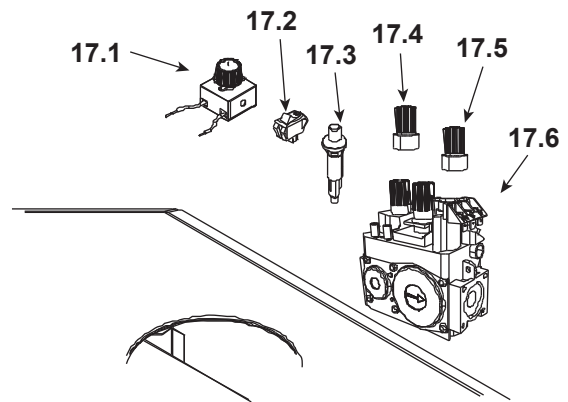
Stocked at Depot

ITEM	DESCRIPTION	COMMENTS	PART NUMBER
11	Burner Assembly		SRV7008-004
12	Burner Neck Support Assembly		SRV7008-005
13	Outer Skin, Right		SRV7003-117A
14	Side Curtain Mount		SRV479-0110
15	Valve Cover	No longer available	SRV7003-119
		Post SN 0021621084	SRV7003-119A

#16 Pedestal Components



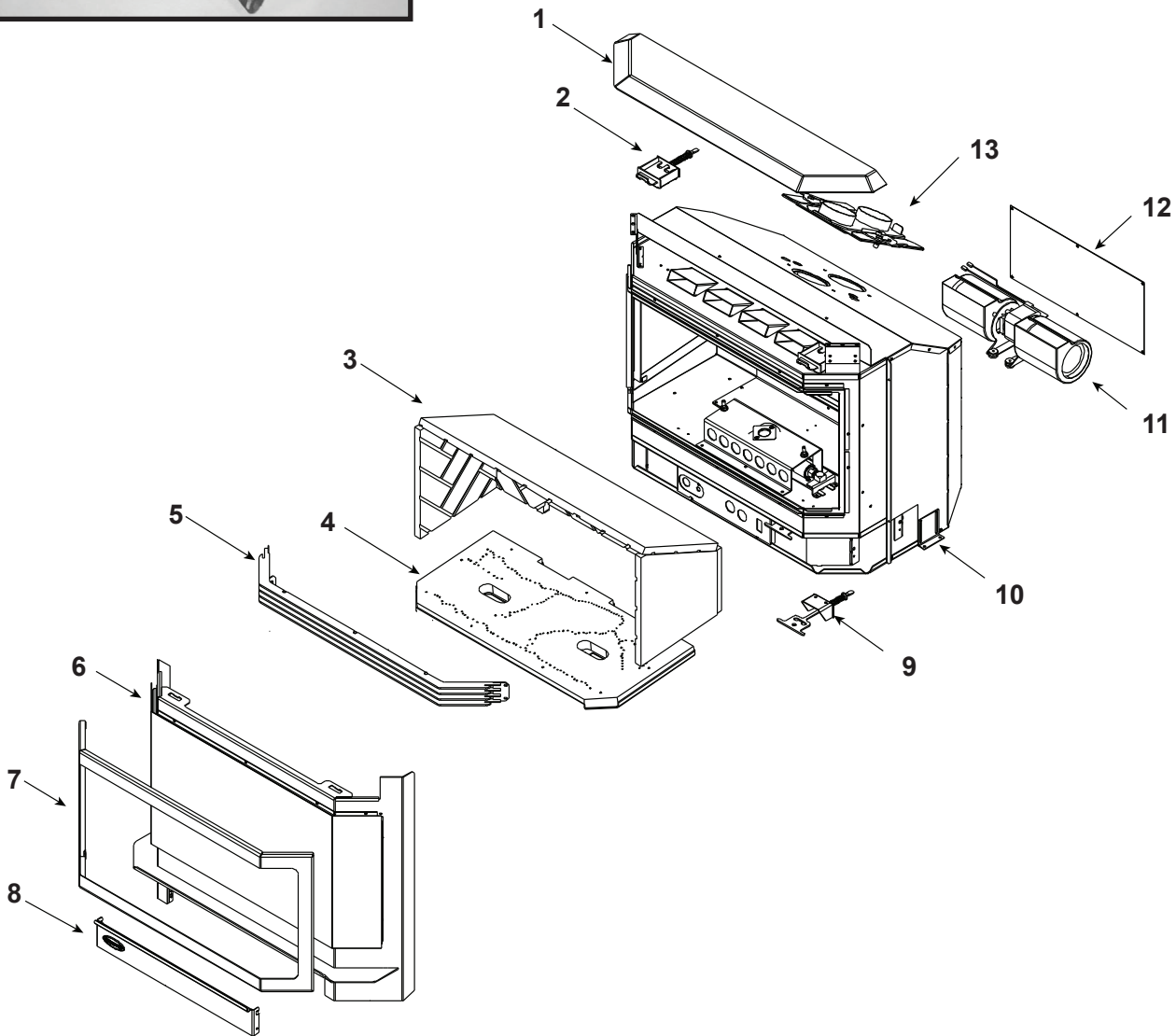
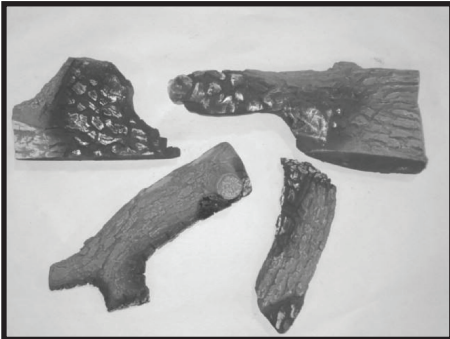
#17 Valve Components



16.1	Latch Assembly (Qty 2 reg)		7003-005	Y
16.2	Blower		812-4900	Y
	Blower Plate		SRV457-0560	
	Blower Bracket		SRV474-0210	
16.3	Pedestal Door	No longer available	SRV7003-107	
		Post SN 0021621084	SRV7003-107A	
16.4	Air Shutter Assembly		SRV468-5060	Y
16.5	Bulkhead		26457	Y
16.6	Bulkhead Stop		SRV474-0090	
16.7	NG Pilot Assembly, NG w/Propane Orifice	LP orifice included	842-4940	Y
16.8	Pilot Shield		PS-7008	
17.1	Speed Control Knob		842-0370	Y
			200-2041	Y
17.2	On/Off Rocker Switch		SRV32D0232	Y
17.3	Piezo Ignitor		291-513	Y
17.4	Knob On/Off		SRV37D0010	
17.5	Knob Hi/Lo		571-533	Y
17.6	Valve NG		842-0240	Y
	Valve LP		842-0230	Y
	Valve Bracket		SRV7003-118	

Additional service part numbers appear on following page.

Log Set Assembly



Part number list on following page.

IMPORTANT: THIS IS DATED INFORMATION. Parts must be ordered from a dealer or distributor. **Hearth and Home Technologies does not sell directly to consumers.** Provide model number and serial number when requesting service parts from your dealer or distributor.

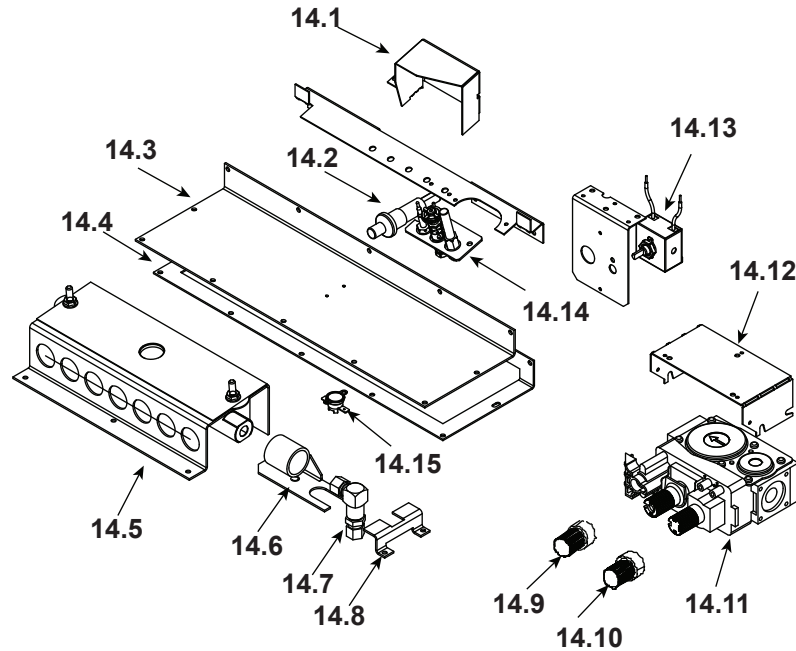


**Stocked
In Depot**

ITEM	DESCRIPTION	COMMENTS	PART NUMBER	
	Log Set Assembly		SRV7008-012	Y
1	Top Assembly	Pre SN 0021678012	SRV7008-027	
		Post SN 0021678012	7008-027	
2	Latch Assembly (Stationary)	Qty 2 req	7003-006	Y
3	Refractory Assembly		7008-002	
4	Burner Assembly		SRV7008-004	
5	Grill Bar Assembly, BLACK	No longer available	SRV7008-010	
		Post SN 0021678012	SRV7008-010A	
	Grill Bar Assembly	No longer available	LVGRL-GD	
		No longer available	LVGRL-NL	
6	Door Assembly	Pre SN 0021678012	DOOR-HUDBAY-INS	
		Post SN 0021678012	DOOR-HUDBAY-INB	
	Gasket, Glass (3/4" X 5')		832-0460	Y
	Gasket, Tadpole,	10 FT	842-5130	Y
7	Door Crown , BLACK	No longer available	SRV462-0150	
		No longer available	462-0150	
	Door Crown	No longer available	DC-BAY-GD	
		No longer available	DC-BAY-NL	
8	Door, Face Access	Pre SN 0021678012	SRV7008-117	
		Post SN 0021678012	7008-117	
9	Latch Assembly	Qty 2 req	7003-005	Y
10	Leveling Leg		462-0420	
11	Blower		812-4900	Y
	Wire Harness	No longer available	455-7240	
12	Blower Access Plate, Rear		7008-141	
13	Transition Assembly		7008-011	
	Component Pack	No longer available	7008-006	
	Contains: Mineral Wool; Pilot Injector, EZ,35; Strain Relief Bushing; Hose Clamp; LP Conversion Regulator; S.I.T. LP; Conversion Labels; Orifice, .076 (Port); Owner's manual; Warranty Card and Consumer View Card			
	Gasket, 1/2" Tadpole, Unit	10 Ft	842-5130	Y
	Fire Screen		7008-163	
	Mineral Wool		050-721	
	Touch Up Paint	Pre SN 0021678012	812-0910	
		Post SN 0021678012	TUP-GBK-12	
	Wire Harness		462-0510	Y
	Conversion Kit NG		N/A	
	Conversion Kit LP		LPK-7008	Y
	Pilot Orifice NG		842-4440	Y
	Pilot Orifice LP		SRV200-2630	Y
	Regulator NG		SRV230-1570	Y
	Regulator LP		SRV230-1520	Y

Additional service part numbers appear on following page.

#14 Valve Assembly



IMPORTANT: THIS IS DATED INFORMATION. Parts must be ordered from a dealer or distributor. **Hearth and Home Technologies does not sell directly to consumers.** Provide model number and serial number when requesting service parts from your dealer or distributor.



**Stocked
in Depot**

ITEM	DESCRIPTION	COMMENTS	PART NUMBER	
14.1	Pilot Shield		7008-172	
14.2	Piezo Ignitor		291-513	Y
14.3	Blower Access Plate		7008-135	
14.4	Gasket, Blower Access		7008-136	
14.5	Burner Neck Support Assembly		SRV7008-005	Y
14.6	Shutter Bracket Assembly		SRV468-5060	Y
14.7	Bulkhead		26457	Y
14.8	Bulkhead Stop		SRV474-0090	
14.9	Extension Knob, HI/Lo		571-533	y
14.10	Extension Knob, ON/OFF		SRV37D0010	
14.11	Valve NG		842-0240	Y
	Valve LP		842-0230	Y
14.12	Valve Bracket	No Longer Available	7008-112	
14.13	Speed Control		842-0370	Y
	Speed Control Knob		200-2041	Y
14.14	Pilot Assembly NG		7003-014	Y
	Pilot Assembly LP		Use LP Pilot Orifice	
	Thermocouple		200-2950	Y
	Thermopile		842-0250	Y
14.15	Snap Disc		SRV230-0960	Y
	Orifice NG (.125)		SRV24691	Y
	Orifice LP (.076)		29388	Y

Gas Stove - DV

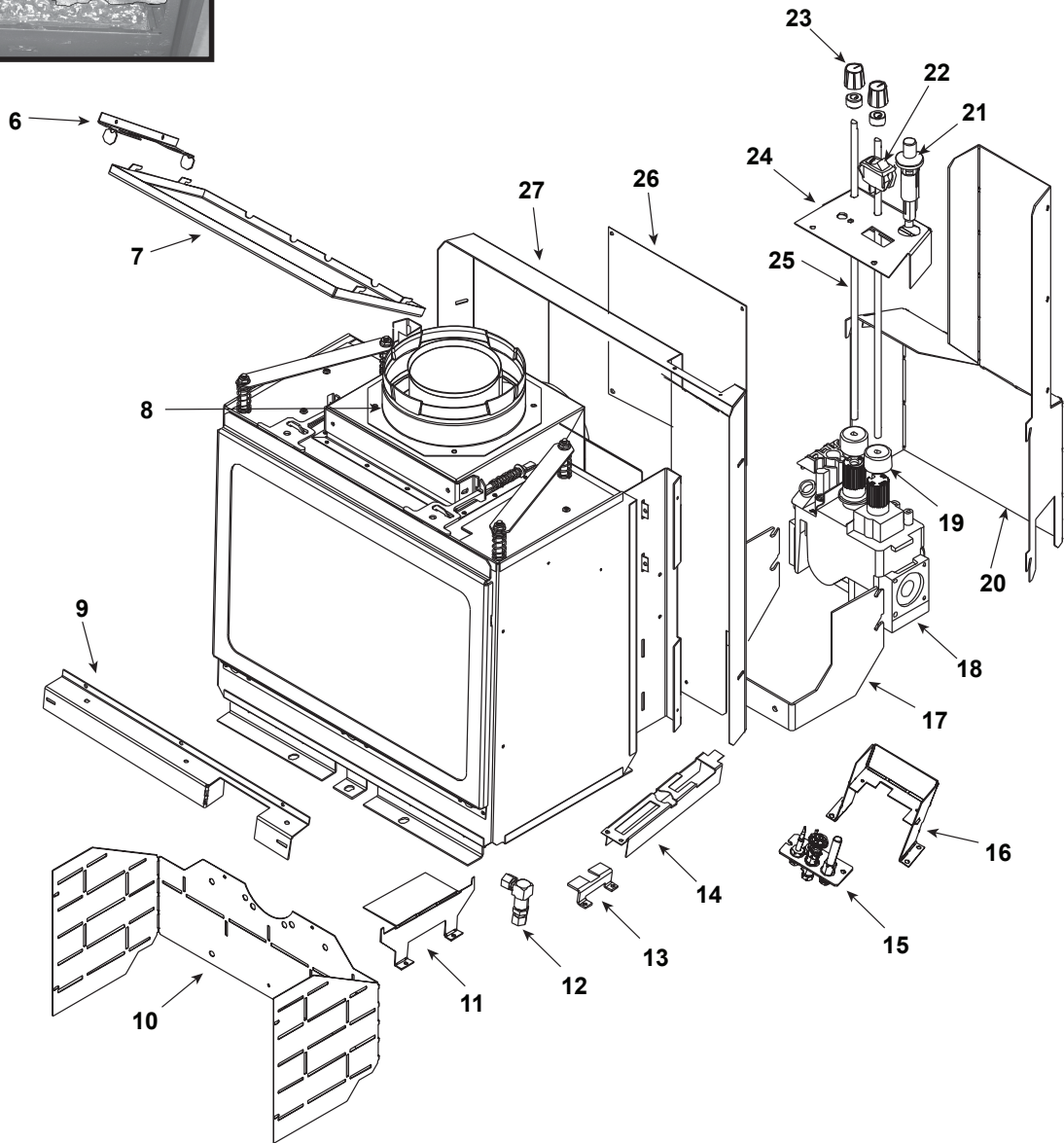
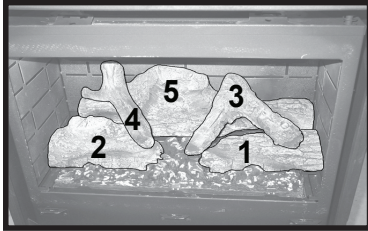
Beginning Manufacturing Date: April 2002
Ending Manufacturing Date: June 2010

Matte Black	Solitaire	839-1390	4/02 - 2/11
	Quartet	839-1460	4/02 - 8/05
Porcelain Creme	Solitaire	839-1400	5/02 - 5/04
	Quartet	839-1470	5/02 - 8/04
Porcelain Green	Solitaire	839-1410	4/02 - 3/04
	Quartet	839-1480	4/02 - 6/04

Porcelain Mahogany	Solitaire	839-1420	5/02 - 8/04
	Quartet	839-1440	4/02 - 2/11
		839-1430	4/02 - 4/03
Porcelain Midnite Blue	Solitaire	839-1431	7/03 - 6/04
	Quartet	839-1450	4/02 - 4/03
		839-1451	5/03 - 6/05
Powder Coat Creme	Quartet	SAPPH-D-CCR	9/05 - 5/06

Powder Coat Linden Green	Quartet	SAPPH-D-CLG	6/04 - 5/06
Powder Coat Sienna Bronze	Quartet	SAPPH-D-CSB	3/07 - 2/10
Powder Coat Willow	Quartet	SAPPH-D-CWL	3/07 - 2/10

Log Set Assembly



Part number list on following page.

Beginning Manufacturing Date: April 2002
Ending Manufacturing Date: June 2010

IMPORTANT: THIS IS DATED INFORMATION. Parts must be ordered from a dealer or distributor. **Hearth and Home Technologies does not sell directly to consumers.** Provide model number and serial number when requesting service parts from your dealer or distributor.



**Stocked
at Depot**

ITEM	DESCRIPTION	COMMENTS	PART NUMBER	
	Log Set		844-9270	Y
1	Log Front Right	No Longer Available	455-0840	
2	Log Front Left	No Longer Available	455-0850	
3	Log Top Right	No Longer Available	455-0860	
4	Log Top Left	No Longer Available	455-0870	
5	Log Rear	No Longer Available	455-0880	
	Log Pin Ceramic (Pkg of 12)	1/4" x 1"	7000-465/12	Y
		1/4" x 1-1/2"	7000-466/12	Y
6	Hanger, Baffle	No Longer Available	455-0300	
7	Baffle	No Longer Available	455-0290	
8	Dv Adapter		SRV7010-172	
9	Support, Log, Rear	No Longer Available	455-0520	
10	Refractory (Metal)	No Longer Available	455-0510	
11	Burner Support	No Longer Available	455-0420	
12	Bulkhead		26457	Y
13	Bulkhead Stop		SRV474-0090	
14	Burner Pan Side	No Longer Available	455-0530	
15	Pilot Assembly - NG, Ez (Includes LP orifice)		842-4280	Y
	Thermocouple		200-2950	Y
	Thermopile/Generator, Millivolt		842-0250	Y
16	Bracket, Pilot	No Longer Available	474-0100	
17	Valve Bracket	No Longer Available	455-0190	
18	Valve Replacement, Sit - NG		842-0240	Y
	Valve Replacement, Sit - LP		842-0230	Y
19	Adapter, Valve Extension		450-6330	
20	Cover, Valve	No Longer Available	455-0310	
21	Piezo Ignitor - Black Knob		291-513	Y
22	Switch, Rocker		SRV32D0232	Y
23	Knob, Rheostat (Black)		SRV100-512	Y
24	Switch Plate	No Longer Available	455-0550	
25	Rod, Control		455-0340	
26	Plate, Back Shield Cover	No Longer Available	455-0220	
27	Back Shield	No Longer Available	455-0200	
	Ashcatcher, Quartet	No Longer Available	454-0070MBK	
		No Longer Available	454-0070PMH	
		No Longer Available	454-0070CSB	
		No Longer Available	454-0070CWL	

Additional service part numbers appear on following page.

Beginning Manufacturing Date: April 2002
Ending Manufacturing Date: June 2010

IMPORTANT: THIS IS DATED INFORMATION. Parts must be ordered from a dealer or distributor. **Hearth and Home Technologies does not sell directly to consumers.** Provide model number and serial number when requesting service parts from your dealer or distributor.



**Stocked
at Depot**

ITEM	DESCRIPTION	COMMENTS	PART NUMBER	
	Brass Elbow		SRV17524	
	Burner Assembly	No Longer Available	844-9280	
		Post 007777106	SRV455-5320	Y
	Burner Deflector	No Longer Available	455-0540	
	Burner Stop	No Longer Available	7010-152	
	Button Head 1/4-20 X .5		32328/20	Y
	Collar, Set, 1/4		229-0750	
	Component Pack Assembly (Includes On/Off Valve; LP Orifice, .063; Mineral Wool; LP Pilot Injector, Ez, LP, 35; LP Conversion Label; Owners Manual; Warranty Card; Touch-Up Paint & Fasteners)	No Longer Available	455-5130	
		No Longer Available	455-5300	
		No Longer Available	455-5340	
		No Longer Available	455-5350	
	Injector, Pilot, Ez, 35 - LP		SRV200-2630	Y
	Mineral Wool, Bag	No Longer Available	200-2550	
	On/Off Valve		SRV15697	Y
	Paint Touch-Up, 4 oz	Black	812-0910	
		Mahogany	1-00-0014	Y
		Sienna Bronze	TOUCHUP-CSB	
		No Longer Available	TOUCHUP-CWL	
	Cover Plate	No Longer Available	455-0720	
	Damper Handle	No Longer Available	455-0250	
	Door Retainer	No Longer Available	455-0560	
	Elbow, 3/8 Flare X 3/8 Npt		SRV4021-045	Y
	Electrode, SIT, Ez, Flush		842-4580	Y
	Exhaust Cover Plate	No Longer Available	455-0730	
	Face Assembly, Solitaire	No Longer Available	455-5160MBK	
	Face, Quartet	Black	454-5010MBK	
		Mahogany	454-5010PMH	
		Sienna Bronze	454-5010CSB	
		Willow	454-5010CWL	
	Flex Line 3/8 Flare X 22L	No Longer Available	7000-197	
	Flue Collar Assembly	No Longer Available	455-5120	
	Gasket Flue Collar	No Longer Available	455-0660	
	Gasket, Cover Plate		7010-160	
	Gasket, Elbow		SRV460-0610	
	Gasket, Lytherm, 1/2 X 1/8	Qty: 4.17 Ft	834-2590	
	Grill Cover	No Longer Available	455-0390	

Additional service part numbers appear on following page.

Beginning Manufacturing Date: April 2002
Ending Manufacturing Date: June 2010

IMPORTANT: THIS IS DATED INFORMATION. Parts must be ordered from a dealer or distributor. **Hearth and Home Technologies does not sell directly to consumers.** Provide model number and serial number when requesting service parts from your dealer or distributor.



**Stocked
at Depot**

ITEM	DESCRIPTION	COMMENTS	PART NUMBER	
	Grille, Top Vent	Black	455-0370MBK	
		Mahogany	455-0370PMH	
		Sienna Bronze	455-0370CSB	
		No Longer Available	455-0370CWL	
	Hinge Bar, Quartet	No Longer Available	454-0060MBK	
		No Longer Available	454-0060PMH	
		No Longer Available	454-0060CSB	
		No Longer Available	454-0060CWL	
	Hinge Pin - Gold, Button Head Rivet, M6 x 35		844-5750	Y
	Leg		26404MBK	
			26404PMH	
		No Longer Available	26404CSB	
		No Longer Available	26404CWL	
	Line, Gas, T6-18		567-300	
	Orifice (.106) - NG		SRV19837	Y
	Orifice (.063) - LP		SRV17236	Y
	Pilot Hood (Only)	3-Flame Hood	200-3000	Y
	Plate Outer Flue Cover	No Longer Available	455-0130	
	Relief Door Assembly	No Longer Available	455-5190	
		No Longer Available	455-5200	
	Gasket Cover, Top	No Longer Available	30705	
	Screw, Pan Head Phillips 8-32 X 3/4		229-1100/24	Y
	Shutter Assembly		SRV468-5060	Y
	Side	No Longer Available	455-0440MBK	
		No Longer Available	455-0440PMH	
		No Longer Available	455-0440CSB	
		No Longer Available	455-0440CWL	
	Top	No Longer Available	455-0350MBK	
		No Longer Available	455-0350PMH	
		No Longer Available	455-0350CSB	
		No Longer Available	455-0350CWL	
	Wire Harness	No Longer Available	7010-156	
CONVERSION KITS				
	Conversion Kit - NG	No Longer Available	843-2540	
	Conversion Kit - LP	No Longer Available	844-9730	
	Injector, Pilot, Ez, 35 - LP		SRV200-2630	Y
	Regulator, Conversion, SIT - NG		SRV230-1570	Y
	Regulator, Conversion, SIT - LP		SRV230-1520	Y
	Orifice, Pilot, Ez, 62 - NG		842-4440	Y

Additional service part numbers appear on following page.

Beginning Manufacturing Date: April 2002
Ending Manufacturing Date: June 2010

IMPORTANT: THIS IS DATED INFORMATION. Parts must be ordered from a dealer or distributor. **Hearth and Home Technologies does not sell directly to consumers.** Provide model number and serial number when requesting service parts from your dealer or distributor.

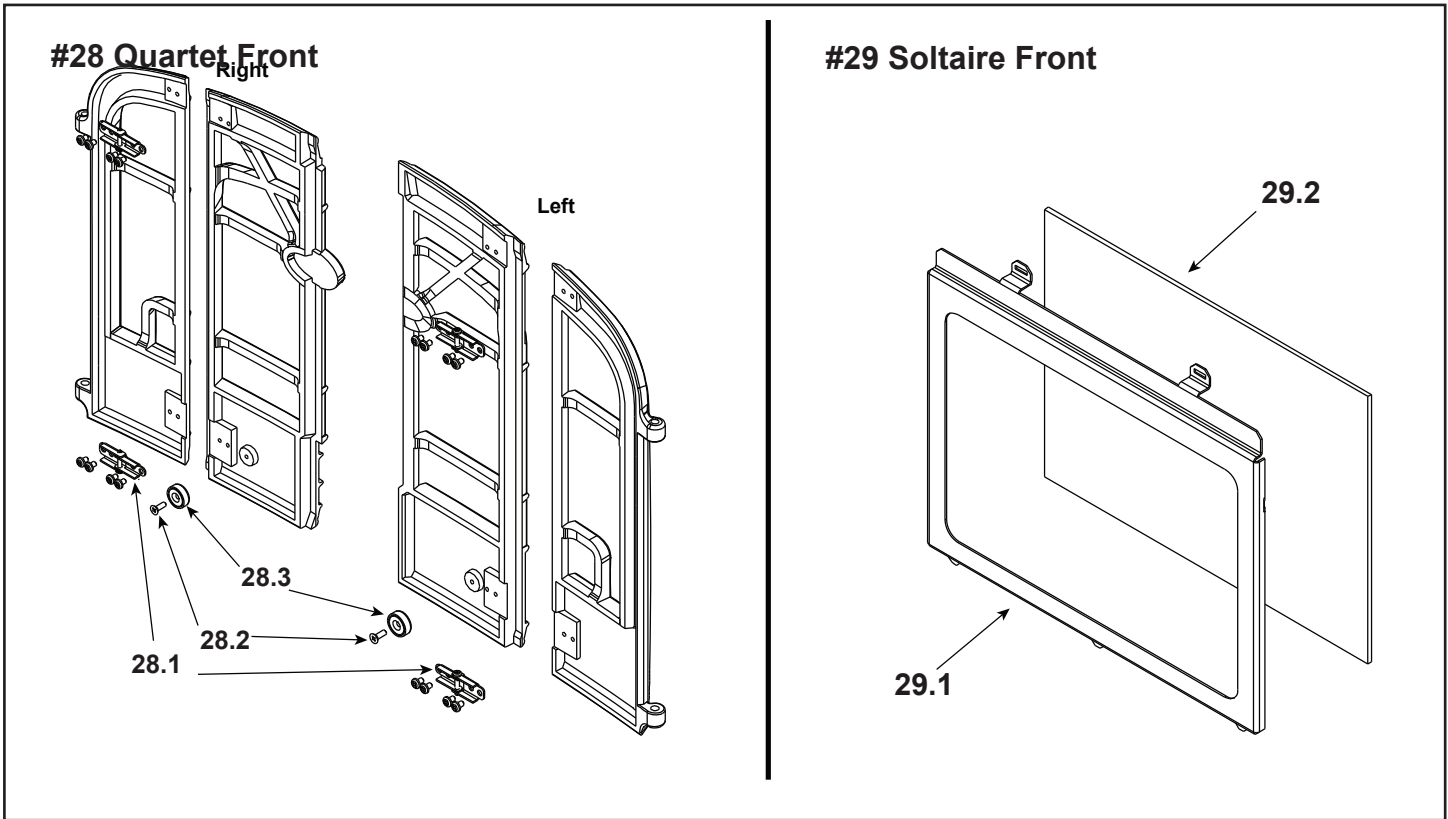


**Stocked
at Depot**

ITEM	DESCRIPTION	COMMENTS	PART NUMBER	
ACCESSORIES				
	Blower Universal Gas		BK-GAS	
	Power Cord		832-2410	Y
	Blower Housing	No Longer Available	7016-138	
	Blower, Convection		812-4900	Y
	Bracket, Thermostat	No Longer Available	455-7230	
	Blower Bracket	No Longer Available	SRV455-0090	
	Component Pack Assembly	No Longer Available	7016-016	
	Snap Disc		SRV230-0960	Y
	Speed Control Only (Rheostat)		842-0370	Y
	Wire Harness	No Longer Available	455-7240	
	Bracket w/Mitten Rod, Wsb1-2	No Longer Available	844-7950	
		No Longer Available	844-7960	
	Grill, Rear Vent	No Longer Available	844-8870	
		No Longer Available	844-9760	
		No Longer Available	RV-SA-CSB	
		No Longer Available	RV-SA-CWL	
	Back Shield Collar Plate	No Longer Available	455-7080	
	Orifice, NG, (.096)	Rear Vent, NG	13844	Y
	Orifice, LP, (.059)	Rear Vent, LP	SRV13445	Y
	Smart-Batt II	No Longer Available	SMARTBATT-B	
	Smart-Stat II		SMART-STAT-HHT	
	Thermostat, Mechanical		812-3760	
	Thermostat, Programmable		PROG-STAT	
	Warming Shelves, Ws1-2	No Longer Available	844-7850	
		No Longer Available	844-9740	
		No Longer Available	WS-SA-CSB	
		No Longer Available	WS-SA-CWL	
FASTENERS				
	Avk Rivnut Repair Kit - 1/4-20 & 3/8-16 Rivnut Tools		RIVNUT-REPAIR	Y
	Nut, Jam, 5/16-18		SRV29635	
	Nut, Ser Flange Small 1/4-20	Pkg of 24	226-0130/24	Y
	Screw, Machine Screw 1/4-20 X 5/8	Pkg of 24	220-0440/24	
	Screw, Pan Head Philips, 10/32 X 1/4	Pkg of 24	229-1230/24	Y
	Screw, Sheet Metal #8 X 1/2 S-Grip	Pkg of 40	12460/40	Y
	Speed Nut 5/16	Pkg of 100	3-31-94807-100	Y

Additional service part numbers appear on following page.

Beginning Manufacturing Date: April 2002
Ending Manufacturing Date: June 2010



IMPORTANT: THIS IS DATED INFORMATION. Parts must be ordered from a dealer or distributor. **Hearth and Home Technologies does not sell directly to consumers.** Provide model number and serial number when requesting service parts from your dealer or distributor.

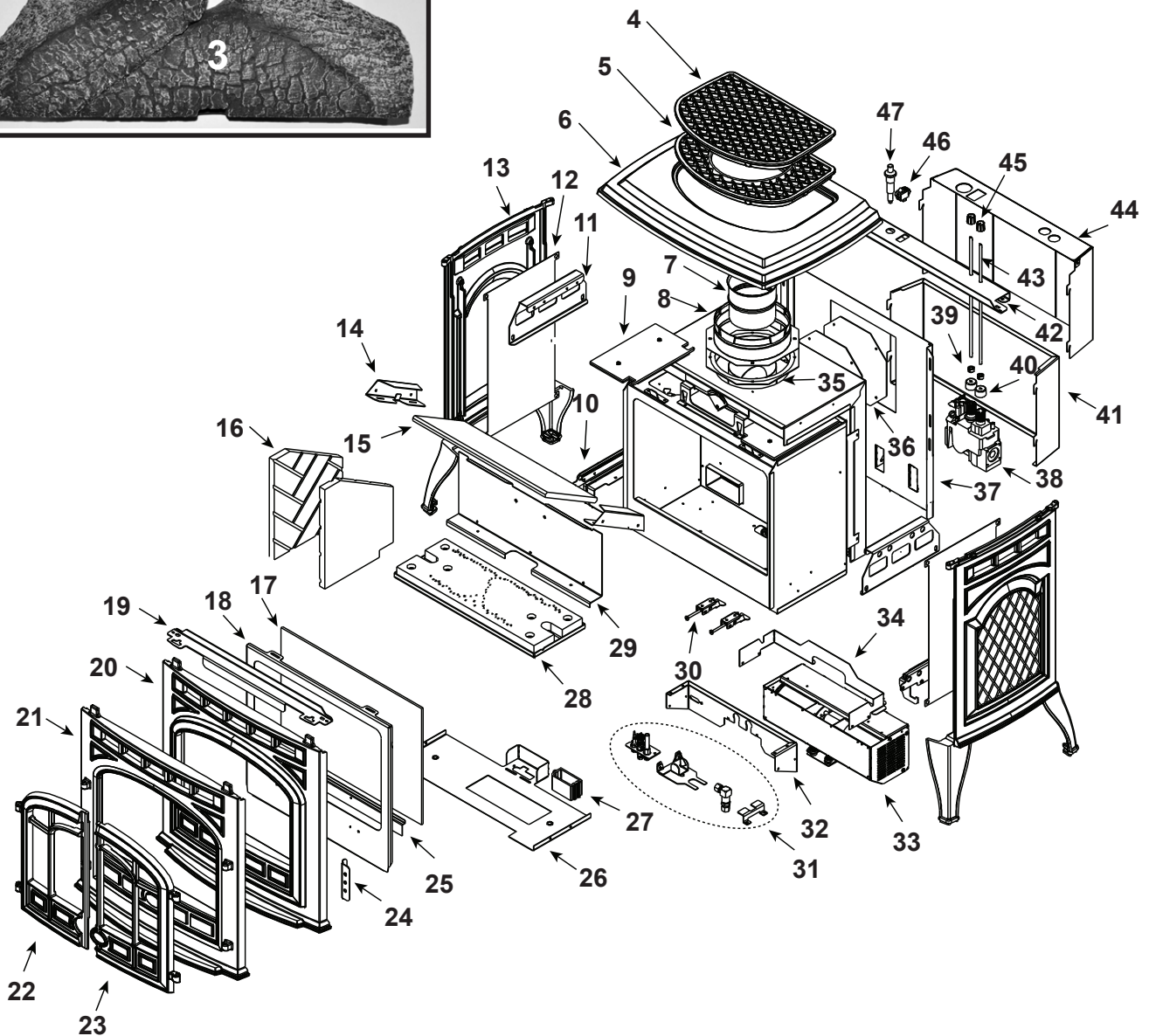
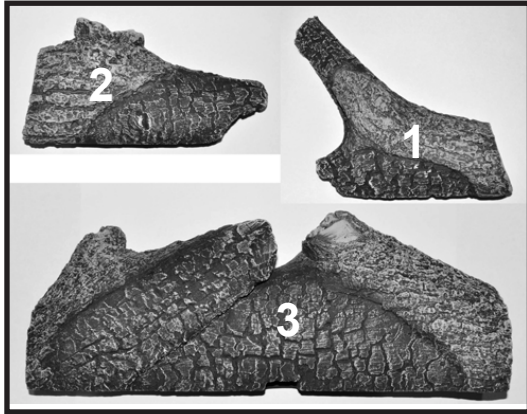


Stocked at Depot

ITEM	DESCRIPTION	COMMENTS	PART NUMBER	
28	Door Assembly - Quartet	No Longer Available	454-5010	
		No Longer Available	454-5020	
	Door Assembly - Quartet, Right	No Longer Available	454-5010MBK	
		No Longer Available	454-5010PMH	
		No Longer Available	454-5010CSB	
		No Longer Available	454-5010CWL	
		No Longer Available	454-5020MBK	
	Door Assembly - Quartet, Left	No Longer Available	454-5020PMH	
		No Longer Available	454-5020CSB	
		No Longer Available	454-5020CWL	
		No Longer Available	454-5020CWL	
	28.1	Hinge Assembly		454-5030
28.2	Screw, Flat Head Philips 8-32 x 1/2	Pkg of 10	832-0860	
	Firescreen, Quartet	No Longer Available	844-9000	
28.3	Magnet, Round		SRV7000-140	
29.1	Door Assembly - Solitaire	No Longer Available	455-5180	
29.2	Glass Assembly	No Longer Available	7010-017	
	Glass Gasket - Field Cut to Size	No Longer Available	844-3010	
	Tape, Door Corner - Field Cut to Size	Qty: 1 Ft	SRV7027-227	
	Trim Kit Door, Gold	No Longer Available	844-0120	

SAPPHIRE-D-CSB, SAPPHIRE-D-MBK, SAPPHIRE-D-PMH,
SAPPHIRE-D-CWL (6/10-3/11)

Log Set Assembly



Part number list on following page.

Beginning Manufacturing Date: June 2010
Ending Manufacturing Date: June 2014

IMPORTANT: THIS IS DATED INFORMATION. Parts must be ordered from a dealer or distributor. **Hearth and Home Technologies does not sell directly to consumers.** Provide model number and serial number when requesting service parts from your dealer or distributor.



**Stocked
at Depot**

ITEM	DESCRIPTION	COMMENTS	PART NUMBER	
	Log Set Assembly		SRV7055-013	
1	Log 1		7055-124	
2	Log 2		7055-125	
3	Log 3		7055-126	
4	Grill Rear Vent	No longer available	RV-SA-MBK	
5	Top Vent Grill	CSB	455-0370CSB	
		No longer available	455-0370CWL	
		MBK	455-0370MBK	
		PMH	455-0370PMH	
6	Top	CSB	SRV7055-101CSB	
		No longer available	SRV7055-101CWL	
		MBK	SRV7055-101MBK	
		PMH	SRV7055-101PMH	
7	SLP Stove Adapter	No longer available	SLP-SAM	
8	DV Adapter		SRV7010-172	
9	Relief Door Assembly	No longer available	7010-003	
10	Cast Retainer Assembly		SRV7055-008	
11	Cast Mount Side Top		SRV7055-114	
12	Side Heat Shield		SRV7055-120	
13	Side , Left or Right	CSB	SRV7021-125CSB	
		No longer available	SRV7021-125CWL	
		MBK	SRV7021-125MBK	
		PMH	SRV7021-125PMH	
14	Baffle Bracket	No longer available	7010-137	
15	Baffle		7010-136A	Y
16	Refractory Assembly	No longer available	BRICK-T1	
17	Glass Assembly	No longer available	7010-017	
18	Door Assembly	No longer available	7010-016	
19	Cast Retainer Front		SRV7055-108	
20	Front , Solitaire	MBK	SRV7055-123MBK	
21	Front , Cabinet Style	CSB	SRV7055-103CSB	
		No longer available	SRV7055-103CWL	
		MBK	SRV7055-103MBK	
		PMH	SRV7055-103PMH	

Additional service parts on following page

Beginning Manufacturing Date: June 2010
Ending Manufacturing Date: June 2014

IMPORTANT: THIS IS DATED INFORMATION. Parts must be ordered from a dealer or distributor. **Hearth and Home Technologies does not sell directly to consumers.** Provide model number and serial number when requesting service parts from your dealer or distributor.



**Stocked
at Depot**

ITEM	DESCRIPTION	COMMENTS	PART NUMBER	
22	Door Left	CSB	SRV7055-107CSB	
		No longer available	SRV7055-107CWL	
		MBK	SRV7055-107MBK	
		PMH	SRV7055-107PMH	
23	Door, Right	CSB	SRV7055-105CSB	
		No longer available	SRV7055-105CWL	
		MBK	SRV7055-105MBK	
		PMH	SRV7055-105PMH	
24	Cast Front Hook	No longer available	SRV7055-110	
25	Glass Retainer	No longer available	7010-121	
26	Burner Plate Assembly	No longer available	7010-022	
27	Pilot Spacer	No longer available	7031-256	
28	Burner With Neck		SRV7010-025	
29	Log Support Rear	No longer available	7010-134	
30	Draw Latch A1-10-501-10		229-0640	Y
31				
31.1	Pilot, 3 Flame, Flush Mount		230-1781	Y
	Injector, Pilot, Ez, LP, 35		SRV200-2630	Y
	Thermocouple		200-2950	Y
	Thermopile/Generator, Millivolt		842-0250	Y
31.2	Shutter Assembly	No longer available	SRV7010-027	
31.3	Bulkhead		26457	Y
31.4	Bulkhead Stop		SRV474-0090	
32	Blower Bracket	No longer available	7010-146	
33	Blower Assembly		BK-GAS	
34	Blower Bracket Rear	No longer available	7009-103	
35	Adapter Gasket		SRV460-0610	
36	Gasket, Cover Plate		7010-160	
37	Back Shield Support	No longer available	SRV7055-115	
38	Valve, NG		SRV230-0710	Y
	Valve, LP		SRV230-0720	Y

Additional service parts on following page

IMPORTANT: THIS IS DATED INFORMATION. Parts must be ordered from a dealer or distributor. **Hearth and Home Technologies does not sell directly to consumers.** Provide model number and serial number when requesting service parts from your dealer or distributor.



**Stocked
at Depot**

ITEM	DESCRIPTION	COMMENTS	PART NUMBER	
39	Set Collar 1/4		229-0750	
40	Adapter, Valve Extension		450-6330	
41	Back Shield Lower	No longer available	SRV7055-112	
42	Cast Retainer Rear	No longer available	SRV7055-109	
43	Control Rod		455-0340	
44	Back Shield Upper	No longer available	SRV7055-111	
45	Knob, Rheostat (Black)	Qty 2 req	SRV100-512	Y
46	Switch, Rocker, On/Off		SRV32D0232	Y
47	Piezo Ignitor		291-513	Y
	Component Pack Assemblies Containing: On/Off Valve, LP Orifice, Mineral Wool, LP Injector Pilot, Nut Kep, LP Regulator, Leveling Assembly, Snap Disc Bracket, Manual. Conversion label and Touch Up paint	No Longer Available	SRV7055-005	
		No Longer Available	SRV7055-009	
		No Longer Available	SRV7055-010	
		No Longer Available	SRV7055-011	
	3/8 Flare x 3/8 NPT Elbow		SRV4021-045	
	Brass Elbow		SRV17524	
	Cover Plate		SRV7010-159	
	Door Retainer	No Longer Available	7010-122	
	Flex Line 3/8 Flare x 22L	No Longer Available	7000-197	
	Gasket Flue Collar	No Longer Available	455-0660	
	Leveling Assembly		SRV7000-000	
	Line, Gas, T6-18		567-300	
	Magnet Round		SRV7000-140	Y
	Mineral Wool		050-721	
	On/Off Valve		SRV15697	Y
	Orifice N (.106)		SRV19837	Y
	Orifice LP .063		SRV17236	Y
	Pilot Spacer		7010-175	
	Plate, Damper		468-0360	
	Snap Disc Bracket		7009-108	
	Touch up Paint	MBK	812-0910	
		CSB	TOUCHUP-CSB	
		No longer available	TOUCHUP-CWL	
		PMH	1-00-0014	
	Wire Harness	No Longer Available	7010-156	

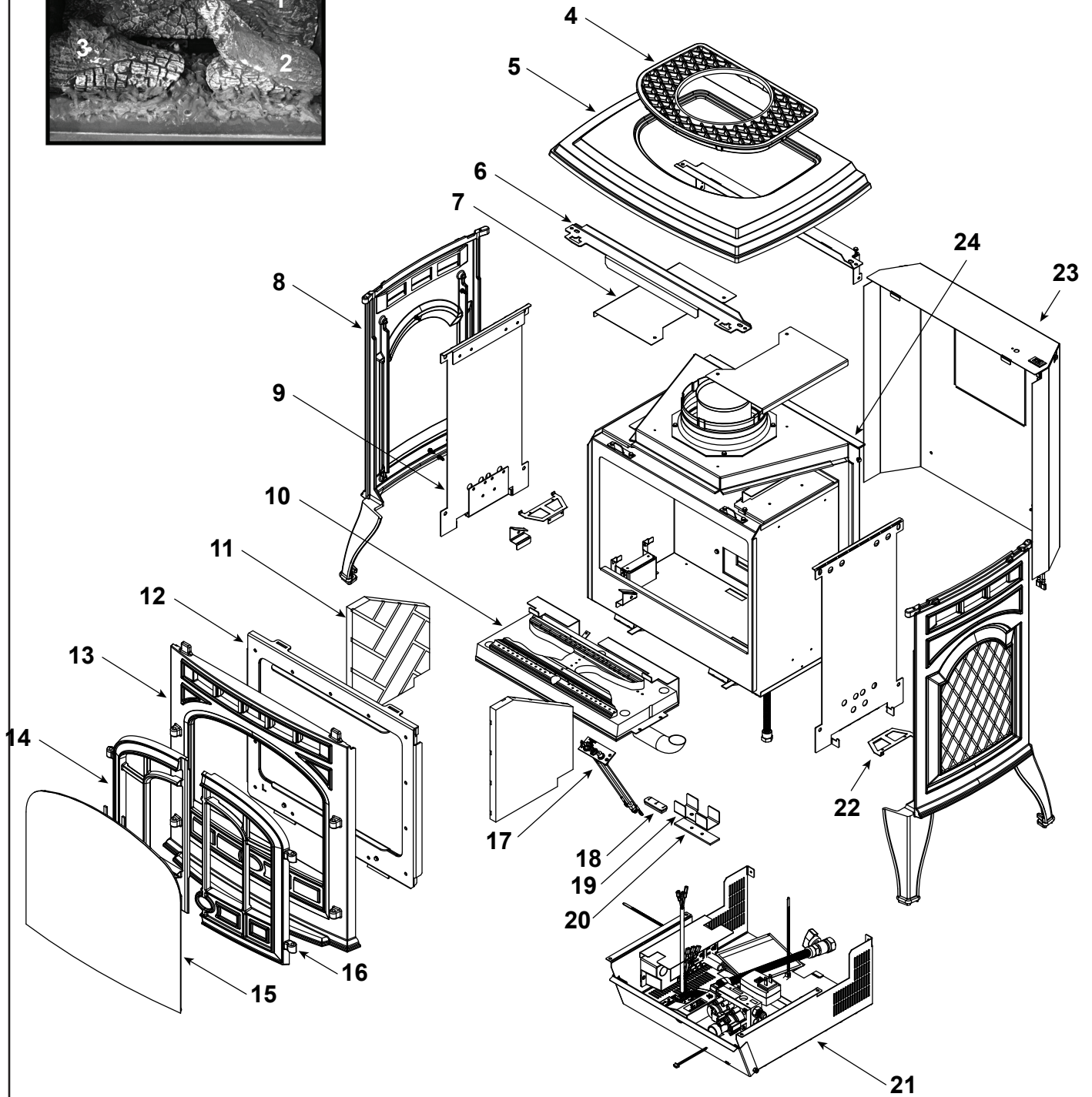
Additional service parts on following page

Gas Stove - DV
Last Serial #HF1053125

Beginning Manufacturing Date: Apr 2014
Ending Manufacturing Date: Jan 2020

SAPH-MBK-IPI (Black), SAPH-D-PMH-IPI (Porcelain), SAPH-D-MBK-IPI (Black w/Doors), SAPH-D-CSB-IPI (Sienna)

Log Set Assembly



Part number list on following page.

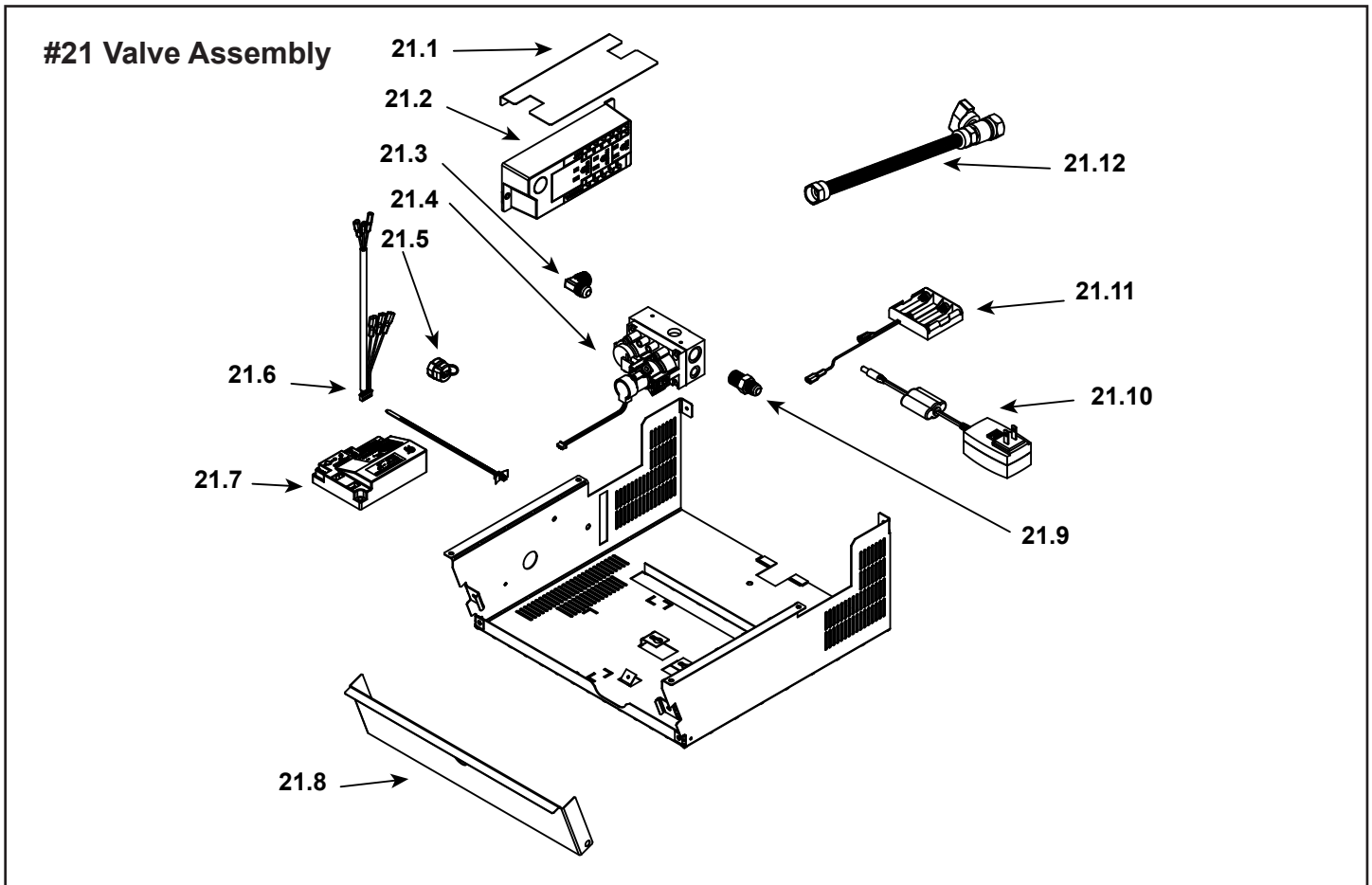
IMPORTANT: THIS IS DATED INFORMATION. Parts must be ordered from a dealer or distributor. **Hearth and Home Technologies does not sell directly to consumers.** Provide model number and serial number when requesting service parts from your dealer or distributor.



**Stocked
at Depot**

ITEM	DESCRIPTION	COMMENTS:	PART NUMBER	
	Log Set Assembly		LOGS-TS-IPI	Y
1	Log 1		SRV2342-701	
2	Log 2		SRV2342-702	
3	Log 3		SRV2342-703	
	SLP Stove Adaptor	No longer available	SLP-SAM	
4	Grill, Top Vent	Black	455-0370MBK	
		Brown	455-0370PMH	
		Sienna	455-0370CSB	
5	Top	Black	SRV7055-101MBK	
		Brown	SRV7055-101PMH	
		Sienna	SRV7055-101CSB	
6	Cast Retainer	Front	SRV7055-108	
		Rear	2343-110	
7	Upper Fan Shroud	Qty 2 req	2343-130	
8	Side, Left or Right	Black	SRV7021-125MBK	
		Brown	SRV7021-125PMH	
		Sienna	SRV7021-125CSB	
9	Side Heat Shield	Qty 2 req	2343-108	
10	Conversion Kit w/Burner Assembly, NG	Sold as Set Only	NGKI-TIARAI	Y
	Conversion Kit w/Burner Assembly, Propane	Sold as Set Only	LPKI-TIARAI	Y
11	Brick Set		BRICK-TS	
12	Glass Frame Assembly		GLA2342-019	Y
13	Front, Soltaire	Black	SRV7055-123MBK	
	Front, Cabinet Style	Black	SRV7055-103MBK	
		Brown	SRV7055-103PMH	
		Sienna	SRV7055-103CSB	
14	Door Left	Black	SRV7055-107MBK	
		Brown	SRV7055-107PMH	
		Sienna	SRV7055-107CSB	
15	Screen, Sapphire		7055-020	
16	Door Right	Black	SRV7055-105MBK	
		Brown	SRV7055-105PMH	
		Sienna	SRV7055-105CSB	
17	Pilot Assembly, NG		SRV2090-012	Y
	Pilot Assembly, Propane		2090-013	Y
18	3-Hole Grommet		SRV2118-420	
19	Air Shutter		SRV2342-154	
20	Gasket , Air Shutter		2342-159	

Additional service part numbers appear on following page.



IMPORTANT: THIS IS DATED INFORMATION. Parts must be ordered from a dealer or distributor. **Hearth and Home Technologies does not sell directly to consumers.** Provide model number and serial number when requesting service parts from your dealer or distributor.



Stocked at Depot

ITEM	DESCRIPTION	COMMENTS:	PART NUMBER	
21.1	Heat Shield, J-box		2342-132	
21.2	Junction Box		SRV4021-013	Y
21.3	Elbow, 3/8" OD Flare x 3/8" NPT		SRV4021-045	
21.4	Valve, IPI	NG	SRV2166-302	Y
		Propane	2166-303	Y
21.5	Cord Clamp		3-20-12402	
21.6	Wire Harness		2166-304	Y
21.7	Module		SRV2166-338	Y
21.8	Access Door		2342-112	
21.9	Male Connector	Pkg of 5	303-315/5	Y
21.10	Transformer, 6V		SRV2326-131	Y
21.11	Battery Pack**		SRV2166-323	Y
21.12	Ball Valve Assembly, 24"		3-40-2098034	Y
	Power Cord		832-2410	

**Fuse for battery pack can be sourced locally, not a warranty item. Specs are 250v, 1A fuse, 3/4" long

Additional service part numbers appear on following page.

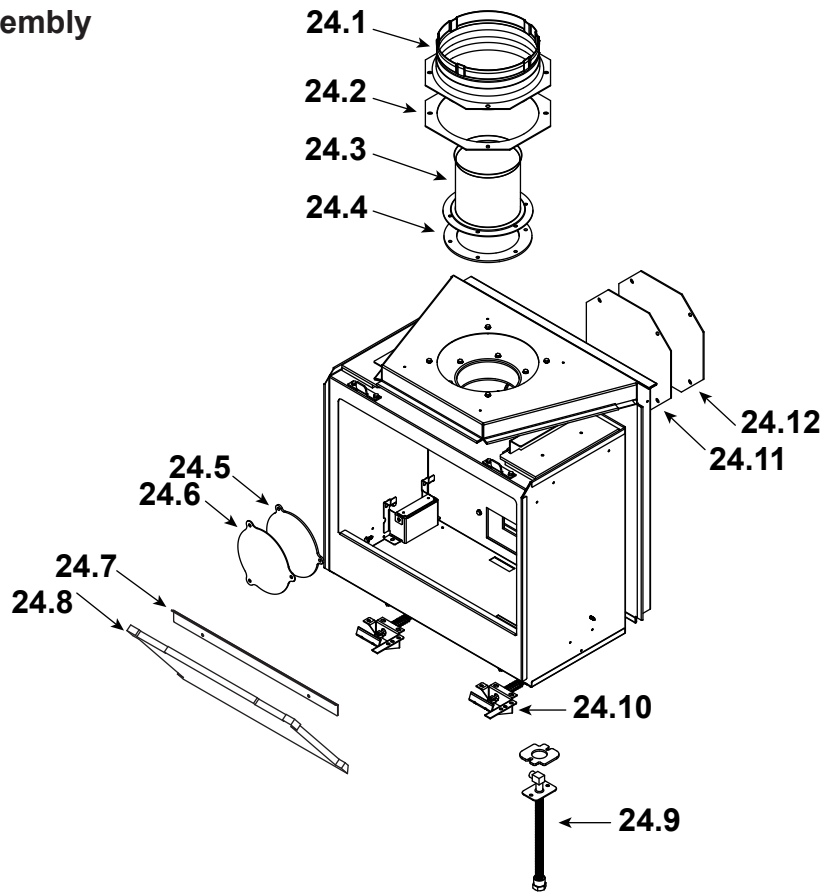
IMPORTANT: THIS IS DATED INFORMATION. Parts must be ordered from a dealer or distributor. **Hearth and Home Technologies does not sell directly to consumers.** Provide model number and serial number when requesting service parts from your dealer or distributor.



**Stocked
at Depot**

ITEM	DESCRIPTION	COMMENTS	PART NUMBER	
22	Bracket, Cast Side	Qty 2 req	2-00-727000A	
23	Back Shroud	No Longer Available	2343-129	
	On/Off Rocker Switch		SRV32D0232	Y
	Wire Assembly		3-20-2159315	Y

#24 Firebox Assembly



24.1	Starting Collar		SRV2189-002	
24.2	Gasket, Adaptor		SRV460-0610	
24.3	Flue Assembly		SRV2340-025	
24.4	Gasket, Spacer		2340-203	
24.5	Gasket, Flue Cover		2340-135	
24.6	Flue Cover		SRV2340-134	
24.7	Lower Baffle Support		SRV2342-121	
24.8	Baffle		2342-146	
24.9	Bulkhead		SRV7000-156	Y
24.10	Glass Clip Assembly	Pkg of 2	33858/2	Y
24.11	Cover Plate Gasket		7010-160	
24.12	Cover Plate		SRV7010-159	

IMPORTANT: THIS IS DATED INFORMATION. Parts must be ordered from a dealer or distributor. **Hearth and Home Technologies does not sell directly to consumers.** Provide model number and serial number when requesting service parts from your dealer or distributor.



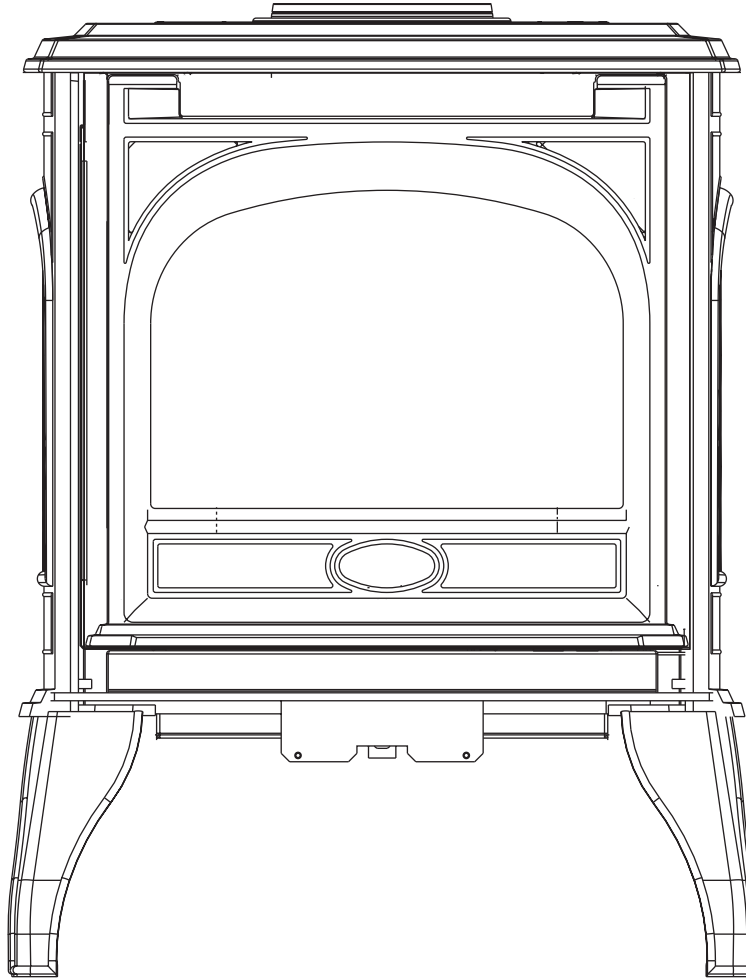
**Stocked
at Depot**

ITEM	DESCRIPTION	COMMENTS	PART NUMBER	
	Blowers:			
	Blower BK Shield	No longer available	844-4110	
	Burner Kit	No longer available	BRNR-425	
	(Includes burner, logs, pilot, pilot shield & glass assembly)			
	Conversion Kits:			
	Conversion Kit NG	No longer available	844-9040	
	Conversion Kit, LP	No longer available	844-0400	
	Door Parts:	No longer available	841-0370	
	Glass Gasket (Dealer cuts to size)	No longer available	844-3010	
	Glass w/ Gasket	No longer available	7010-017	
	Logs:			
	Embers	No longer available	841-0370	
	Lava Rock		4021-295	
	Mineral Wool		200-2550	
	Burner w/Logs	No longer available	BRNR-425	
	Orifices:			
	Orifice, NG, .106		19837	Y
	Orifice, LP, .063		SRV17236	Y
	Pilot Orifice, NG, .018		SRV446-505	Y
	Pilot Orifice, LP, .015	No longer available	844-7570	
	Piezo Igniter		291-513	Y
	Pilot Parts:			
	Pilot, NG		SRV25174	Y
	Pilot, LP	No longer available	25175	
	Pilot Shield	No longer available	844-8590	
	Pilot Tube w/ Fittings		SRV446-301	Y
	Thermocouple		SRV72956	
	Themopile		842-0250	Y
	Snap Disc, 105	No longer available	833-0450	

Additional service parts on following page.

Gs Stove, S.I.T
 Last Unit SN #GA750249
 839-0830, 839-0840, 839-0850, 839-0860, 839-0870
 839-0780, 839-0790, 839-0800, 839-0810, 839-0820,
 839-1430, 839-1450

Beginning Manufacturing Date: N/A
 Ending Manufacturing Date: Aug 2000



IMPORTANT: THIS IS DATED INFORMATION. Parts must be ordered from a dealer or distributor. **Hearth and Home Technologies does not sell directly to consumers.** Provide model number and serial number when requesting service parts from your dealer or distributor.



Stocked at Depot

ITEM	DESCRIPTION	COMMENTS	PART NUMBER
	Burner Kit (Includes burner, logs, pilot, pilot shield & glass assembly)	No longer available	BRNR-425
	Conversion Kits:		
	NG Conversion Kit	No longer available	844-8230
	LP Conversion Kit	No longer available	844-8420

Additional Service parts on following page.

Beginning Manufacturing Date: N/A
Ending Manufacturing Date: Aug 2000

IMPORTANT: THIS IS DATED INFORMATION. Parts must be ordered from a dealer or distributor. **Hearth and Home Technologies does not sell directly to consumers.** Provide model number and serial number when requesting service parts from your dealer or distributor.



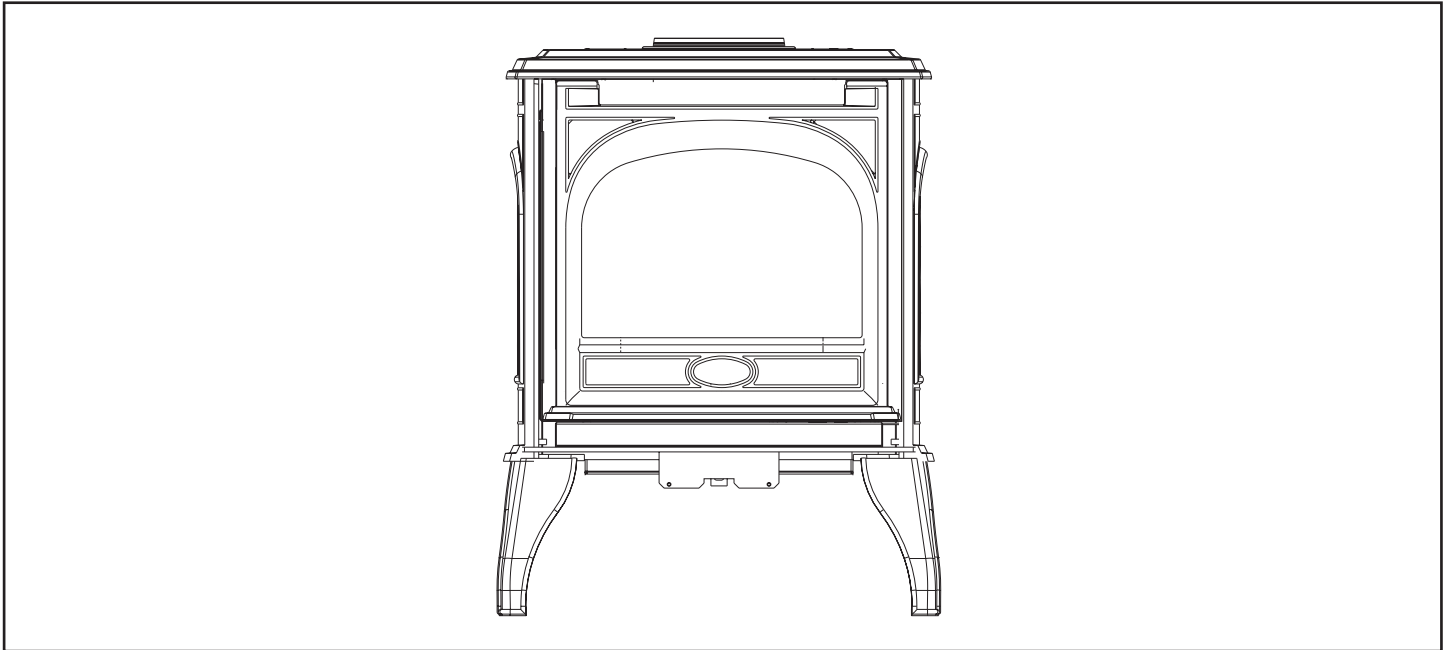
**Stocked
at Depot**

ITEM	DESCRIPTION	COMMENTS	PART NUMBER	
	Door Parts:			
	Glass Gasket (Dealer cuts to size)	No longer available	844-3010	
	Glass w/ Gasket	No longer available	7010-017	
	Mineral Wool		050-721	
	Orifices:			
	Orifice, NG, .106		SRV19837	Y
	Orifice, LP, .063		SRV17236	Y
	Pilot Orifice, NG, EZ, #62		842-4440	Y
	Pilot Orifice, LP, EZ, #35		SRV200-2630	Y
	Pilot Orifice, NG, PSE		SRV2103-116	Y
	Pilot Orifice, LP, PSE	No longer available	844-8490	
	Piezo Igniter		291-513	Y
	Pilot Parts:			
	Electrode w/ Wire	EZ Only	842-4580	Y
	Pilot, LP		Use LP Pilot Orifice	
	Pilot, NG		29478	Y
	Pilot Retrofit Kit, NG	No longer available	842-4650	
	Thermocouple, EZ		200-2950	Y
	Thermocouple, PSE		SRV72956	Y
	Themopile		842-0250	Y
	Snap Disc, 105	No longer available	833-0450	
	Speed Control		842-0370	Y
	Switch, Auto/Man	No longer available	14212A	
	Switch, Burner, Rocker		SRV32D0232	Y
	Touch up Paint:			
	Touch-Up Paint, MBK, 4 oz. can		812-0910	
	Touch-Up Paint, PBK	No longer available	855-0410	
	Touch-Up Paint, PCR	No longer available	855-0390	
	Touch-Up Paint, PGR	No longer available	855-0420	
	Touch-Up Paint, PBL	No longer available	855-0400	
	Valves:			
	Valve, NG		842-0240	Y
	Valve, LP		842-0230	Y
	Regulator NG		SRV230-1570	Y
	Regulator LP		SRV230-1520	Y
	Wire Harness	No longer available	7010-156	
	Installation Manual	No longer available	29550	

Gas Stove - DV

839-0930, 839-0940, 839-0950, 839-0960, 839-0970
Last unit SN #763474

Beginning Manufacturing Date: Jan 2001
Ending Manufacturing Date: Apr 2002



IMPORTANT: THIS IS DATED INFORMATION. Parts must be ordered from a dealer or distributor. **Hearth and Home Technologies does not sell directly to consumers.** Provide model number and serial number when requesting service parts from your dealer or distributor.



Stocked at Depot

ITEM	DESCRIPTION	COMMENTS	PART NUMBER	
	Baffle	No longer available	455-0290	
	Blower Kit		BK-GAS	
	Burner	No longer available	842-4430	
	Burner Pan / Log Support	No longer available	SRV455-5260	
	Conversion Kit, LP	No longer available	844-9730	
	Door Parts:			
	Glass Gasket (Dealer cuts to size)	No longer available	844-3010	
	Glass w/ Gasket	No longer available	7010-017	
	Gaskets:			
	Cover Plate Gasket	No longer available	468-0380	
	Inner Flue Gasket	No longer available	455-0080	
	Outer Flue Gasket	No longer available	450-2034	
	Inner Flue Extension		200-2470	
	Log Set	No longer available	844-9140	
	Orifices			
	Orifice, NG, .106		SRV19837	Y
	Orifice, NG .096		13844	Y
	Orifice, LP, .063		SRV17236	Y
	Orifice, LP, .059		SRV13445	Y
	Pilot Orifice, NG, #62		842-4440	Y
	Pilot Orifice, LP, #35		SRV200-2630	Y

Additional service parts on following page

IMPORTANT: THIS IS DATED INFORMATION. Parts must be ordered from a dealer or distributor. **Hearth and Home Technologies does not sell directly to consumers.** Provide model number and serial number when requesting service parts from your dealer or distributor.



**Stocked
at Depot**

ITEM	DESCRIPTION	COMMENTS	PART NUMBER	
	Elbow, 3/8 Flare x 3/8 NPT		SRV4021-045	
	Elbow, Brass		SRV17524	
	Piezo Igniter		291-513	Y
	Back Shield	No longer available	455-0200	
	Cover Valve	No longer available	455-0310	
	Damper Handle	No longer available	455-0250	
	Grill Cover	No longer available	455-0390	
	Valve Bracket	No longer available	455-0190	
	Line Gas		567-300	
	Pilot Parts:			
	Electrode w/ Wire		842-4580	Y
	Pilot, NG		842-4280	Y
	Pilot, LP		Use LP Pilot Orifice	
	Thermocouple		200-2950	Y
	Themopile		842-0250	Y
	Snap Disc, fan, 125		SRV230-0470	Y
	Speed Control		842-0370	Y
	Speed Control Brkt	No longer available	455-0240	
	Control Panel Label	No longer available	250-5790	
	Switch, Burner, Toggle	No longer available	842-1660	
	Touch up Paints:			
	Touch-Up Paint, MBK, 4 oz. can		812-0910	
	Touch-Up Paint, PBK	No longer available	855-0410	
	Touch-Up Paint, PCR	No longer available	855-0390	
	Touch-Up Paint, PGR	No longer available	855-0420	
	Touch-Up Paint, PBL	No longer available	855-0400	
	Valve Parts:			
	Control Rod		455-0340	
	Control Rod Adapter		450-6330	
	Control Rod Knob		SRV7000-246	
	Valve, LP		842-0230	Y
	Valve, NG		842-0240	Y
	Regulator, NG		SRV230-1570	Y
	Regulator, LP		SRV230-1520	Y
	Install Manual	No Longer Available	250-5533	

IMPORTANT: THIS IS DATED INFORMATION. Parts must be ordered from a dealer or distributor. **Hearth and Home Technologies does not sell directly to consumers.** Provide model number and serial number when requesting service parts from your dealer or distributor.



Stocked at Depot

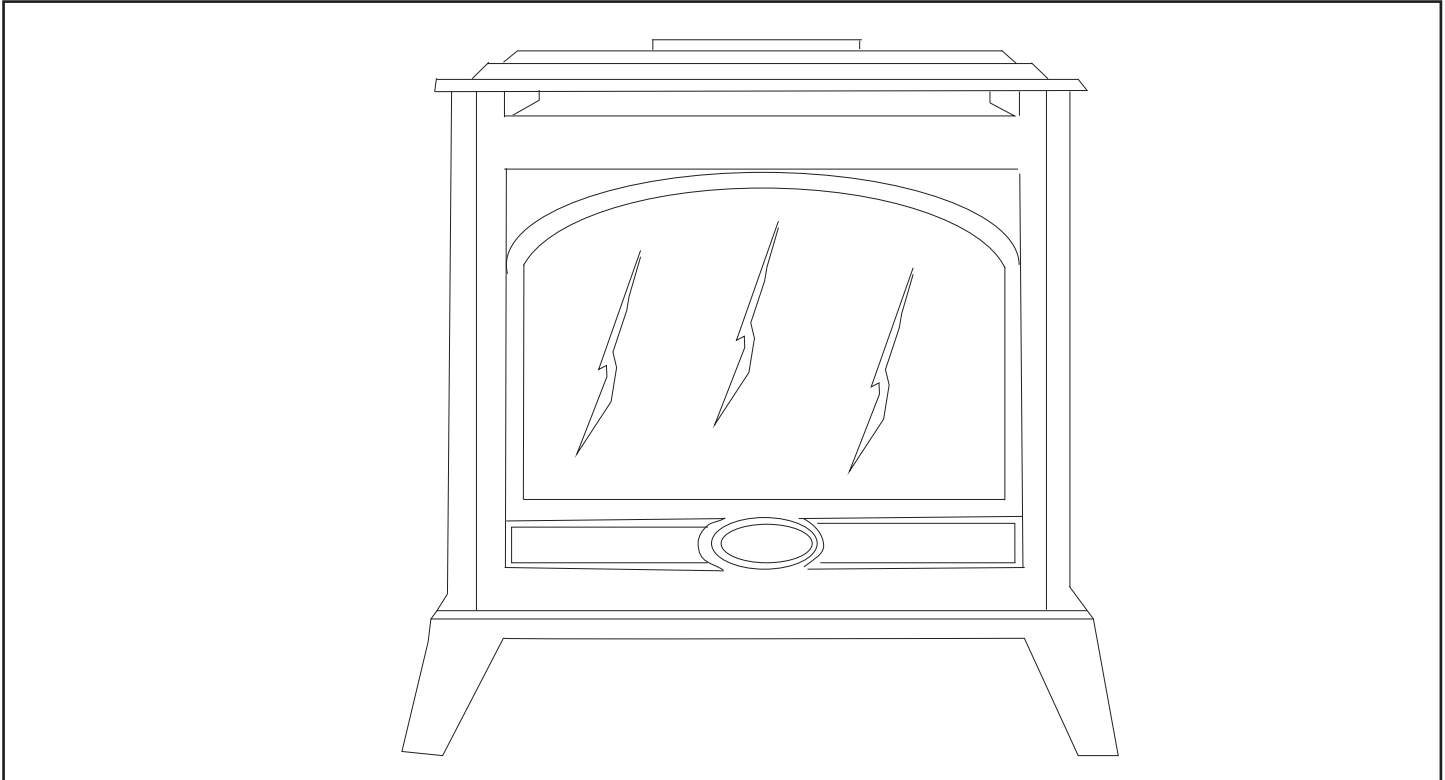
ITEM	DESCRIPTION	COMMENTS	PART NUMBER	
	Blower:			
	Blower Kit		BK-GAS	
	Blower Adapter		BK-GAS-ADPT	
	Burner	Use Upgrade Kit	844-9560	Y
	Burner LP	No longer available	844-8601	
	Burner NG	No longer available	844-6120	
	Conversion Kit, NG	No longer available	844-2090	
	Regulator, NG		SRV060-518	Y
	Burner Orifice, NG		SRV24691	Y
	Pilot Orifice, NG		SRV446-505	Y
	Door Parts			
	Door w/ Glass Assembly		844-6080	Y
	Glass Gasket	No Longer Available	844-3010	
	Glass w/ Gasket	No Longer Available	7011-015	
	Embers	No longer available	841-0370	
	Lava Rock		4021-295	
	Log Upgrade Kit	No Longer Available	844-9560	
	Mineral Wool		050-721	
	Orifices			
	Burner Orifice, NG, .125		24691	Y
	Burner Orifice, LP, .073		SRV24220	Y
	Pilot Orifice, NG, .018		446-505	Y
	Pilot Orifice, LP, .014	No longer available	844-7570	
	Brass Elbow		SRV17524	
	Bulkhead		26457	Y
	Piezo Igniter		291-513	Y

Additional service parts on following page

Gas Stove- S.I.T

Beginning Manufacturing Date: N/A
Ending Manufacturing Date: Mar 2002

839-0980, 839-0990, 839-1000, 839-1010, 839-1020
First SIT valve SN #GA473421, First EZ Pilot SN#841001
Last Unti SN #871408 (3-14-2002)



IMPORTANT: THIS IS DATED INFORMATION. Parts must be ordered from a dealer or distributor. **Hearth and Home Technologies does not sell directly to consumers.** Provide model number and serial number when requesting service parts from your dealer or distributor.



Stocked at Depot

ITEM	DESCRIPTION	COMMENTS	PART NUMBER	
	Blower:			
	Blower Assembly		BK-GAS	
	Blower Gas Adapter		BK-GAS-ADPT	
	Burner	Use Upgrade Kit	844-9560	Y
	Burner, LP	No longer available	844-8601	
	Burner, NG	No longer available	844-6120	
	Conversion Kits			
	Conversion Kit, NG	No longer available	844-8250	
	Regulator		230-1570	Y
	Orifice		SRV24691	Y
	Pilot Orifice, NG		SRV2103-116	Y
	Conversion Kit, LP (SN # 871001 & Higher)	No longer available	844-9230	
	Door Parts:			
	Door w/ Glass Assembly	No longer available	844-6080	Y
	Glass Gasket (Dealer cuts to size)	No longer available	844-3010	
	Glass w/ Gasket	No longer available	7011-015	

Additional service parts on following page.

IMPORTANT: THIS IS DATED INFORMATION. Parts must be ordered from a dealer or distributor. **Hearth and Home Technologies does not sell directly to consumers.** Provide model number and serial number when requesting service parts from your dealer or distributor.



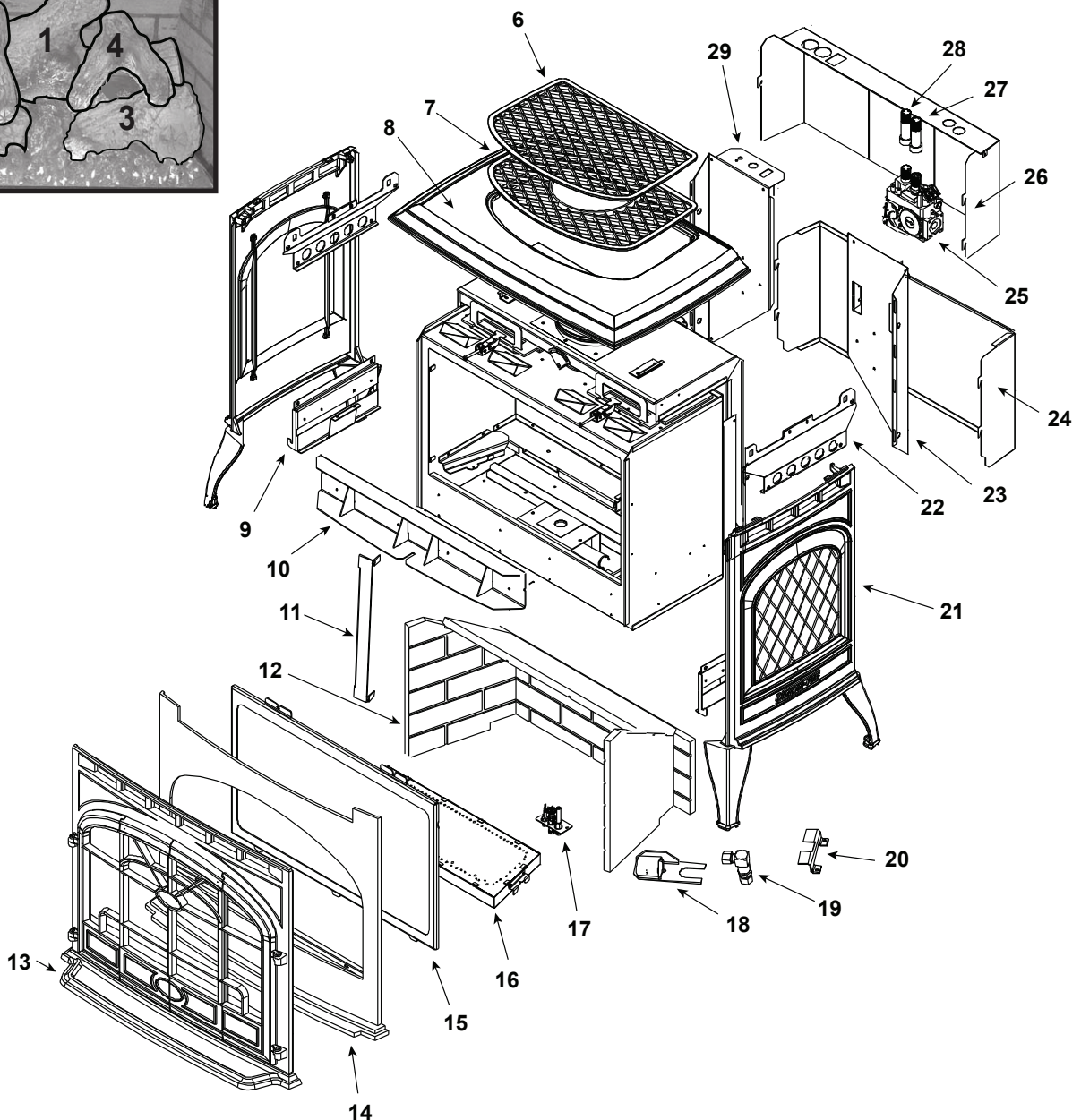
**Stocked
at Depot**

ITEM	DESCRIPTION	COMMENTS	PART NUMBER	
	Inner Flue Ext.		200-2470	
	Log Set w/ Burner	No longer available	844-9560	
	Mineral Wool		050-721	
	Orifices			
	Burner Orifice, LP, .073		SRV24220	Y
	Burner Orifice, NG, .125		SRV24691	Y
	Pilot Orifice, LP, EZ, #35		200-2630	Y
	Pilot Orifice, NG, EZ, #62		842-4440	Y
	Pilot Orifice, LP, PSE	No longer available	844-8490	
	Pilot Orifice, NG, PSE		SRV2103-116	Y
	Piezo Igniter		291-513	Y
	Pilot Parts:			
	Electrode w/ Wire	EZ Only	842-4580	Y
	Pilot, NG, EZ		842-4280	Y
	Pilot, LP		Use LP Pilot Orifice	
	NG Pilot Retrofit Kit, EZ	No longer available	842-4640	
	Pilot, LP, 35, EZ		SRV200-2630	Y
	Pilot Assembly		230-1781	Y
	Pilot Bracket	No longer available	461-0150	
	Thermocouple, EZ		200-2950	Y
	Thermocouple, PSE		SRV72956	Y
	Themopile		842-0250	Y
	Snap Disc	No longer available	833-0450	
	Speed Control		842-0370	Y
	Switch, Auto/Man	No longer available	14212A	
	Switch, Burner, Rocker		SRV32D0232	Y
	TOUCH UP Paints			
	Touch-Up Paint, MBK, 4 oz. can		812-0910	
	Touch-Up Paint, PBK	No longer available	855-0410	
	Touch-Up Paint, PCR	No longer available	855-0390	
	Touch-Up Paint, PGR	No longer available	855-0420	
	Touch-Up Paint, PBL	No longer available	855-0400	
	Valves			
	Valve, NG		842-0240	Y
	Valve, LP		842-0230	Y
	Regulator, LP		SRV230-1520	Y
	Regulator, NG		SRV230-1570	Y
	Wire Harness	No longer available	7009-156	

Color	SKU No.	Mfg. Dates
Quartet Matte Black	839-1290	3/02-8/14
Quartet Porcelain Creme	839-1300	5/02-7/05
Quartet Porcelain Green	839-1310	5/02-9/04
Quartet Porcelain Mahogany	839-1320	2/02-8/14
Quartet Porcelain Blue	839-1330	5/02/3/03
Quartet Porcelain Midnight Blue	839-1331	5/03-6/05
Quartet Powder Coat Creme	Topaz-D-CCR	9/05-5/06
Quartet Powder Coat Linden Green	Topaz-D-CLG	6/04-5/06
Quartet Powder Coat Sienna Bronze	Topaz-D-CSB	3/07-8/14
Quartet Powder Coat Willow	Topaz-D-CWL	3/07-3/11

Color	SKU No.	Mfg. Dates
Solitaire Matte Black	839-1340	4/02-8/14
Solitaire Porcelain Creme	839-1350	5/02-5/04
Solitaire Porcelain Green	839-1360	5/02-9/04
Solitaire Porcelain Mahogany	839-1370	5/02-7/04
Solitaire Porcelain Midnight Blue	839-1381	7/02-4/03
Solitaire Porcelain Midnight Blue	839-1381	7/03-5/04

Log Set Assembly



Part number list on following page.

IMPORTANT: THIS IS DATED INFORMATION. Parts must be ordered from a dealer or distributor. **Hearth and Home Technologies does not sell directly to consumers.** Provide model number and serial number when requesting service parts from your dealer or distributor.



**Stocked
at Depot**

ITEM	DESCRIPTION	COMMENTS	PART NUMBER	
	Log Set, Topaz	No longer available	LOGS-TOPAZ	
1	Log Rear Topaz		7009-130	
2	Log Front Left Topaz		7009-127	
3	Log Front Right Topaz		7009-126	
4	Log Top Right Topaz		7009-128	
5	Log Top Left Topaz		7009-129	
	Log Pin Ceramic Pkgs of 12	1/4" x 1"	7000-465/12	Y
		1/4" x 1-1/2"	7000-466/12	Y
6	Grill, Rear Vent	No longer available	844-9830	
		No longer available	844-9860	
		No longer available	RV-TPZ-CSB	
		No longer available	RV-TPZ-CWL	
7	Grill Top Vent	Black	468-0040MBK	
		Mahogany	468-0040PMH	
		Sienna Bronze	468-0040CSB	
		No longer available	468-0040CWL	
8	Top	Black	468-0010MBK	
		Mahogany	468-0010PMH	
		Sienna Bronze	468-0010CSB	
		No longer available	468-0010CWL	
9	Cast Mounting Bracket, Bottom	No longer available	7009-102	
10	Door Retainer Assembly	No longer available	7009-008	
11	Retainer, Brick		SRV479-0190	
12	Refractory Assembly		BRICK-TOPAZ	Y
13	Face Assembly, Quartet	Black	466-5000MBK	
		Mahogany	466-5000PMH	
		Sienna Bronze	466-5000CSB	
		No longer available	466-5000CWL	
	Ashlip	Black	466-0060MBK	
		Mahogany	466-0060PMH	
		Sienna Bronze	466-0060CSB	
		No longer available	466-0060CWL	
	Door Assembly Left	Black	466-5030MBK	
		Mahogany	466-5030PMH	
		Sienna Bronze	466-5030CSB	
		No longer available	466-5030CWL	

Additional service part numbers appear on following page.

Beginning Manufacturing Date: Apr. 2002
Ending Manufacturing Date: August 2014

IMPORTANT: THIS IS DATED INFORMATION. Parts must be ordered from a dealer or distributor. **Hearth and Home Technologies does not sell directly to consumers.** Provide model number and serial number when requesting service parts from your dealer or distributor.



**Stocked
at Depot**

ITEM	DESCRIPTION	COMMENTS	PART NUMBER	
	Door Assembly Right, Quartet	Black	466-5020MBK	
		Mahogany	466-5020PMH	
		Sienna Bronze	466-5020CSB	
		No longer available	466-5020CWL	
	Face	Black	466-0010MBK	
		Mahogany	466-0010PMH	
		Sienna Bronze	466-0010CSB	
		No longer available	466-0010CWL	
	Hinge Assembly		454-5030	
	Hinge Pin		844-5750	Y
	Magnet Round		SRV7000-140	Y
	Thumbscrew, 1/4-20 X 3/4		844-5070	
14	Face Assembly, Solitaire	Solitaire Face Black	7009-007MBK	
15	Door Assembly W/Glass	No longer available	7011-003	
	Glass Assembly	No longer available	7011-015	
	Glass Gasket - Field Cut to Size	No longer available	844-3010	
	Tape, Door Corner - Field Cut to Size	Qty: 10 Ft.	SRV7027-227	Y
16	Burner Assembly	No longer available	BRNR-TOPAZ	
		No longer available	7009-018	
17	NG Pilot Assembly w/Propane Orifice		842-4940	Y
	Thermocouple		200-2950	Y
	Thermopile		842-0250	Y
18	Shutter Assembly		SRV468-5060	Y
19	Bulkhead		26457	Y
20	Bulkhead Stop		SRV474-0090	
21	Side Kit - Side Replacement	Black	SIDE-TPZ-MBK	
		Mahogany	SIDE-TPZ-PMH	
		Sienna Bronze	SIDE-TPZ-CSB	
		No longer available	SIDE-TPZ-CWL	
22	Cast Mounting Bracket, Top	No longer available	7009-101/2	
23	Valve Bracket	No longer available	7009-104	
24	Back Shield Lower	No longer available	7009-107	
25	Valve Replacement, Sit	LP Valve	842-0230	Y
		NG Valve	842-0240	Y
26	Back Shield Upper	No longer available	7009-106	
27	Knob, Extension, Valve, Hi-Low	No longer available	842-4020	
28	Knob, Extension, Valve, On-Off		230-1250	
29	Switch Bracket	No longer available	7009-105	

Additional service part numbers appear on following page.

IMPORTANT: THIS IS DATED INFORMATION. Parts must be ordered from a dealer or distributor. **Hearth and Home Technologies does not sell directly to consumers.** Provide model number and serial number when requesting service parts from your dealer or distributor.

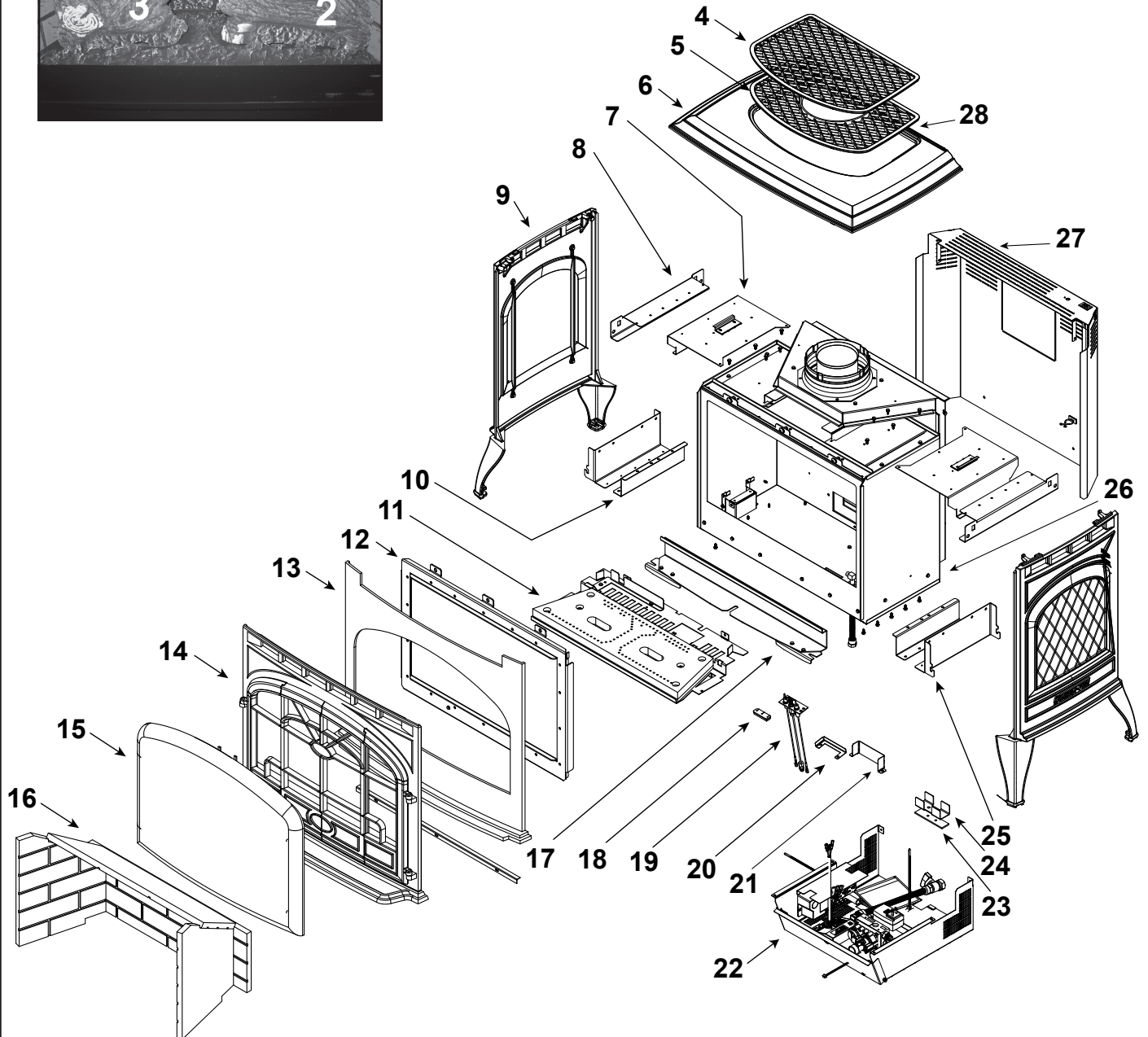


**Stocked
at Depot**

ITEM	DESCRIPTION	COMMENTS	PART NUMBER	
	Air Deflector	No longer available	7011-139	
	Blower Bracket	No longer available	7010-146	
	Blower Bracket Rear	No longer available	7009-103	
	Brass Elbow		SRV17524	
	Burner Neck Support Assembly	No longer available	7011-016	
	Burner Pan Rear Assembly	No longer available	7011-017	
	Burner Pan Side Left	No longer available	7011-128	
	Burner Pan Side Right	No longer available	7011-127	
	Component Pack Assembly (Includes On/Off Valve; Mineral Wool; Pilot Injector, Lp 35, Conversion Regulator Lp; Lp Orifice; Conversion Label; Leveling Assembly; Snap Disc Bracket; Owners Manual; Warranty Card)	No longer available	7009-003	
		No longer available	7009-016	
		No longer available	7009-019	
		No longer available	7009-020	
	Leveling Assembly		SRV7000-000	
	Mineral Wool		050-721	
	Nut, Keps Lock, 10-32		226-0050/20	
	On/Off Valve		SRV15697	Y
	Paint Touch-Up, 4 Oz	Black	812-0910	
		Mahogany	1-00-0014	
		Sienna Bronze	TOUCHUP-CSB	
		No longer available	TOUCHUP-CWL	
	Snap Disc Bracket		7009-108	
	Cover Plate		SRV7010-159	
	Damper Stop	No longer available	468-0210	
	DV Adapter	No longer available	842-0830	
		Post 00876547	SRV7010-172	
	Elbow, 3/8 Flare X 3/8 Npt		SRV4021-045	
	Electrode, Sit, Ez, Flush		842-4580	Y
	Flex Line 3/8 Flare X 22L	No longer available	7000-197	
	Gasket Flue Collar	No longer available	455-0660	
	Gasket, Burner	No longer available	7011-142	
	Gasket, Cover Plate		7010-160	
	Gasket, Elbow		SRV460-0610	
	Label, Dashboard	No longer available	250-7170	
	Latch, Draw		229-0640	Y
	Line, Flex, 3/8 Comp.X 30In		200-2940	Y
	Orifice, NG, .125	Top Vent	SRV24691	Y
		Rear Vent	SRV17811	Y
	Orifice, Pilot, NG, Ez, # 62		842-4440	Y

Additional service part numbers appear on following page.

Log Set Assembly



Part number list on following page.

IMPORTANT: THIS IS DATED INFORMATION. Parts must be ordered from a dealer or distributor. **Hearth and Home Technologies does not sell directly to consumers.** Provide model number and serial number when requesting service parts from your dealer or distributor.

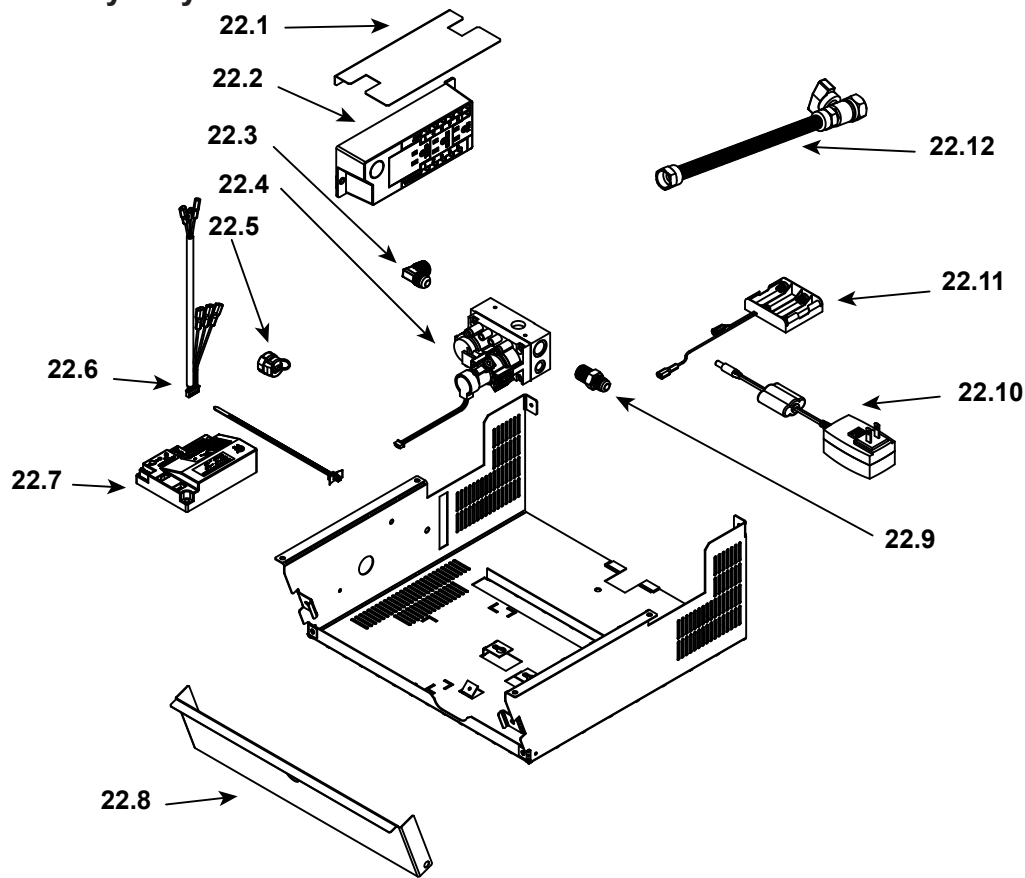


**Stocked
at Depot**

ITEM	DESCRIPTION	COMMENTS	PART NUMBER	Stocked at Depot
	Log Set Assembly		LOGS-T2	Y
1	Log #1	Rear	SRV7011-147	
2	Log #2	Right Front	SRV7011-145	
3	Log #3	Left Front	SRV7011-146	
4	Grill, Rear Vent	Black	RV-TPZ-MBK-IPI	
		Mahogany	RV-TPZ-PMH-IPI	
		Sienna Bronze	RV-TPZ-CSB-IPI	
5	Grill Top Vent	Black	468-0040MBK	
		Mahogany	468-0040PMH	
		Sienna Bronze	468-0040CSB	
6	Top	Black	468-0010MBK	
		Mahogany	468-0010PMH	
		Sienna Bronze	468-0010CSB	
7	Shroud, Upper Fan	Qty 2 req	SRV2340-130	
8	Bracket, Top Mounting	Qty 2 req	2341-131	
9	Side Kit - Side Replacement	Black	SIDE-TPZ-MBK	
		Mahogany	SIDE-TPZ-PMH	
		Sienna Bronze	SIDE-TPZ-CSB	
10	Bracket, Bottom Mounting Inner	Qty 2 req	2341-107	
11	Burner Assembly		SRV2340-007	Y
12	Glass Assembly		GLA2340-019	Y
	Button Head, 1/4-20x5/8 Black	Pkg of 10	1201529-10	
13	Face Assembly, Solitaire	Solitaire Face Black	7009-007MBK	
14	Face Assembly, Quartet	Black	466-5000MBK	
		Mahogany	466-5000PMH	
		Sienna Bronze	466-5000CSB	
	Ashlip	Black	466-0060MBK	
		Mahogany	466-0060PMH	
		Sienna Bronze	466-0060CSB	
	Door Assembly Left	Black	466-5030MBK	
		Mahogany	466-5030PMH	
		Sienna Bronze	466-5030CSB	
	Door Assembly Right, Quartet	Black	466-5020MBK	
		Mahogany	466-5020PMH	
		Sienna Bronze	466-5020CSB	
	Face	Black	466-0010MBK	
		Mahogany	466-0010PMH	
		Sienna Bronze	466-0010CSB	

Additional service part numbers appear on following page.

#22 Valve Assembly Tray



IMPORTANT: THIS IS DATED INFORMATION. Parts must be ordered from a dealer or distributor. **Hearth and Home Technologies does not sell directly to consumers.** Provide model number and serial number when requesting service parts from your dealer or distributor.



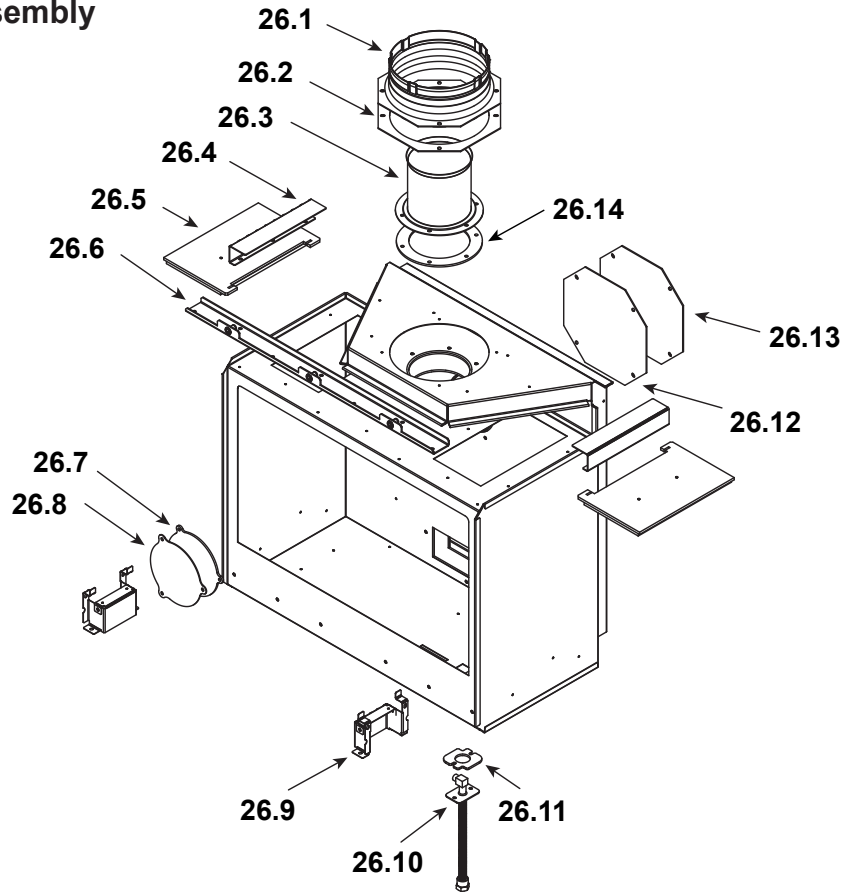
Stocked at Depot

ITEM	DESCRIPTION	COMMENTS	PART NUMBER	
22.1	Heat Shield, J-box		2342-132	
22.2	Junction Box		SRV4021-013	Y
22.3	Elbow, 3/8" OD Flare x 3/8" NPT		SRV4021-045	
22.4	Valve, IPI	NG	SRV2166-302	Y
		Propane	2166-303	Y
22.5	Cord Clamp		3-20-12402	
22.6	Wire Harness		2166-304	Y
22.7	Module		SRV2166-338	Y
22.8	Access Door		2342-112	
22.9	Male Connector	Pkg of 5	303-315/5	Y
22.10	Transformer, 6V		SRV2326-131	Y
22.11	Battery Pack**		SRV2166-323	Y
22.12	Ball Valve Assembly, 24"		3-40-2098034	Y
	Power Cord		832-2410	

**Fuse for battery pack can be sourced locally, not a warranty item. Specs are 250v, 1A fuse, 3/4" long

Additional service part numbers appear on following page

#26 Firebox Assembly



IMPORTANT: THIS IS DATED INFORMATION. Parts must be ordered from a dealer or distributor. **Hearth and Home Technologies does not sell directly to consumers.** Provide model number and serial number when requesting service parts from your dealer or distributor.



Stocked at Depot

ITEM	DESCRIPTION	COMMENTS	PART NUMBER	
26.1	Starting Collar		SRV2189-002	
26.2	Gasket, Adaptor		SRV460-0610	
26.3	Flue Assembly		SRV2340-025	
26.4	Relief Door Guide		SRV2340-133	
26.5	Relief Door Assembly		2340-020	
26.6	Firebox Support		SRV2340-115	
26.7	Gasket, Flue Cover		2340-135	
26.8	Flue Cover		SRV2340-134	
26.9	Bracket, Burner Mounting		SRV2342-110	
26.10	Bulkhead		SRV7000-156	Y
26.11	Gasket, Burner Neck		2025-407	
26.12	Cover Plate		SRV7010-159	
26.13	Gasket, Cover Plate		7010-160	
26.14	Gasket Spacer		2340-203	

Additional service part numbers appear on following page.

Beginning Manufacturing Date: July 2014
Ending Manufacturing Date: Jan 2020

IMPORTANT: THIS IS DATED INFORMATION. Parts must be ordered from a dealer or distributor. **Hearth and Home Technologies does not sell directly to consumers.** Provide model number and serial number when requesting service parts from your dealer or distributor.



**Stocked
at Depot**

ITEM	DESCRIPTION	COMMENTS	PART NUMBER	
	Fan Kit		GFK-160A	
	Knob, Rheostat		SRV100-512	Y
	Rheostat Assembly		SRV100-510A	Y
	Temp Sensor (Limit) w/Bracket		107-531A	Y
	Firescreen		466-023	
	Leveling Assembly		SRV7000-000	
	Mineral Wool		050-721	
	Noise Kit		1-00-4041001	Y
	Orifice, (NG) #32	Top Vent	SRV582-832	Y
	Orifice, (Propane) #50	Top Vent	582-850	Y
	Orifice, (NG) #33	Rear Vent	582-833	Y
	Orifice, (Propane) #54	Rear Vent	SRV582-854	Y
	Paint, 12 oz Can - Qty: 1	Sienna Bronze	PAINT1-CSB/CES	
	Paint Touch-Up, 4 Oz, Black	Pre 0081100001	812-0910	
		Post 0081100001	3-42-19905	
	Paint Touch-Up, 4 Oz	Mahogany	1-00-0014	
		Sienna Bronze	TOUCHUP-CSB	
	Snap Disc Bracket		7009-108	
	Trim Kit, Door, Gold	No longer available	844-0140	
	Warming Shelves	No longer available	844-9780	
		No longer available	844-9810	
		Sienna Bronze	WSLG-CSB	
Conversion Kits				
	Conversion Kit NG		NGKI-TIARA2	Y
	Conversion Kit Propane		LPKI-TIARA2	Y
	Pilot Orifice NG		SRV593-528	Y
	Pilot Orifice Propane		SRV593-527	Y
	Regulator NG		NGK-DXV-50	Y
	Regulator Propane		SRVLPK-DXV-50	Y